

Okuma  
**GENOS L 300**  
**E-M/MY**



# High-tech from heimatec - heimatec - Tools and systems for productive turning and milling

heimatec belongs to the international technology and quality leaders for precision tools and specializes in the development and production of high-precision static and live tools for all CNC lathes, CNC turn-/mill machines and CNC machining centers.

The range of products\* spans from static BMT and VDI tool holders, live tools up to highly complex customer-specific individual solutions. heimatec, headquartered in Renchen, has a own subsidiary in Asia and India and numerous representatives as well as trading partners all over the world.

## \*OUR PRODCUTS

Static tool holders

Live tool units

Precision tools

Tools for turning and machining centres

Tools for swiss type lathes

Tool changing and uick-change systems


Tool systems for gear production

Digital tool management

This catalogue, including all its parts, is protected by copyright. Any use outside the restricted limitations of the Copyright Act without the consent of heimatec is inadmissible and liable to prosecution. This applies in particular to duplication, translation, microfilming and storage and processing in electronic systems.

**heimatec GmbH** reserves the right to make technical changes at any time without giving prior notice. This applies in particular to adjustments at any time to meet new or changed international standards, or in case of further developments of our products or manufacturing processes.

The current version of our General Terms and Conditions can be found on our website.

Part-#	Name	
<b>8 010 46 189</b>	<b>Axial drilling and milling head ER 32 AX UT IC</b>	
	Weight [kg]:	3.650
	Tool drive:	Coupling
	Shank size [mm]:	40.00
	Shank type:	VDI
	Tool adaption:	ER 32 A - u-tec
	Gear ratio [i]:	1:1
	Torque max [Nm]:	50
	Rotation max [1/min]:	6000
	Rotating direction:	same
	Coolant:	IC/Ext
	Pressure max [bar]:	25
	Please note:	round housing Ø 84
<b>8 010 46 190</b>	<b>Axial drilling and milling head ER 32 AX UT</b>	
	Weight [kg]:	3.460
	Tool drive:	Coupling
	Shank size [mm]:	40.00
	Shank type:	VDI
	Tool adaption:	ER 32 A - u-tec
	Gear ratio [i]:	1:1
	Torque max [Nm]:	50
	Rotation max [1/min]:	6000
	Rotating direction:	same
	Coolant:	EXT
	Please note:	round housing ø 84
<b>8 010 46 191</b>	<b>Axial drilling and milling head ER 32</b>	
	Weight [kg]:	3.490
	Tool drive:	Coupling
	Shank size [mm]:	40.00
	Shank type:	VDI
	Tool adaption:	ER 32
	Gear ratio [i]:	1:1
	Torque max [Nm]:	50
	Rotation max [1/min]:	6000
	Rotating direction:	same
	Coolant:	EXT
	Please note:	round housing Ø 84
<b>8 010 46 192</b>	<b>Axial drilling and milling head ER 32 IC</b>	
	Weight [kg]:	3.720
	Tool drive:	Coupling
	Shank size [mm]:	40.00
	Shank type:	VDI
	Tool adaption:	ER 32
	Gear ratio [i]:	1:1
	Torque max [Nm]:	50
	Rotation max [1/min]:	6000
	Rotating direction:	same
	Coolant:	IC/Ext
	Pressure max [bar]:	25
	Please note:	round housing Ø 84

Part-#	Name	
<b>8 010 47 095</b>	<b>Axial drilling and milling head HT 5</b>	
	Weight [kg]:	3.450
	Tool drive:	Coupling
	Shank size [mm]:	40.00
	Shank type:	VDI
	Tool adaption:	HT 5
	Gear ratio [i]:	1:1
	Torque max [Nm]:	50
	Rotation max [1/min]:	6000
	Rotating direction:	same
	Coolant:	EXT
	Please note:	Round housing ø84
<b>8 010 47 096</b>	<b>Axial drilling and milling head HT 5 IC</b>	
	Tool drive:	Coupling
	Shank size [mm]:	40.00
	Shank type:	VDI
	Tool adaption:	HT 5
	Gear ratio [i]:	1:1
	Torque max [Nm]:	50
	Rotation max [1/min]:	6000
	Rotating direction:	same
	Coolant:	IC/Ext
	Pressure max [bar]:	25
	Please note:	round housing ø 84
<b>8 010 47 119</b>	<b>Axial drilling and milling head ER 40</b>	
	Weight [kg]:	3.700
	Tool drive:	Coupling
	Shank size [mm]:	40.00
	Shank type:	VDI
	Tool adaption:	ER 40
	Gear ratio [i]:	1:1
	Torque max [Nm]:	50
	Rotation max [1/min]:	6000
	Rotating direction:	same
	Coolant:	EXT
	Please note:	stronger bearing; round housing ø 84
<b>8 013 46 003</b>	<b>Axial drilling and milling head ER 32</b>	
	Weight [kg]:	7.420
	Tool drive:	Coupling
	Shank size [mm]:	40.00
	Shank type:	VDI
	Tool adaption:	ER 32
	Gear ratio [i]:	3:1
	Torque max [Nm]:	75
	Rotation max [1/min]:	3000
	Rotating direction:	same
	Coolant:	EXT
<b>8 013 46 006</b>	<b>Axial drilling and milling head ER 32 IC</b>	
	Weight [kg]:	7.460
	Tool drive:	Coupling
	Shank size [mm]:	40.00
	Shank type:	VDI
	Tool adaption:	ER 32
	Gear ratio [i]:	3:1

Part-#	Name	
	Torque max [Nm]:	75
	Rotation max [1/min]:	3000
	Rotating direction:	same
	Coolant:	IC/Ext
<b>8 019 45 066</b>	<b>Axial mill and grind holder arbor 22</b>	
	Weight [kg]:	9.640
	Notation:	offset
	Employment for:	Main spindle
	Tool drive:	Coupling
	Shank size [mm]:	40.00
	Shank type:	VDI
	Tool adaption:	Arbor 22
	Gear ratio [i]:	1:3
	Torque max [Nm]:	12
	Rotation max [1/min]:	15000
	Rotating direction:	opposite
	Coolant:	EXT
	Please note:	with special spindle cooling !!!
	Offset [mm]:	50
<b>8 019 45 114</b>	<b>Axial drilling and milling head ER 25 AX UT</b>	
	Notation:	offset
	Version:	left
	Tool drive:	Coupling
	Shank size [mm]:	40.00
	Shank type:	VDI
	Tool adaption:	ER 25 A - u-tec
	Gear ratio [i]:	1:2
	Torque max [Nm]:	40
	Rotation max [1/min]:	12000
	Rotating direction:	opposite
	Coolant:	EXT
	Please note:	stronger bearing
	Offset [mm]:	50
<b>8 019 46 096</b>	<b>Axial drilling and milling head ER 32</b>	
	Weight [kg]:	7.410
	Notation:	offset
	Version:	left
	Tool drive:	Coupling
	Shank size [mm]:	40.00
	Shank type:	VDI
	Tool adaption:	ER 32
	Gear ratio [i]:	1:1
	Torque max [Nm]:	50
	Rotation max [1/min]:	6000
	Rotating direction:	opposite
	Coolant:	EXT
	Please note:	stronger bearing
	Offset [mm]:	50

Part-#	Name	
<b>8 030 44 008</b>	<b>Radial drilling and milling head Weldon 12</b>	
	Weight [kg]:	6.600
	Tool drive:	Coupling
	Shank size [mm]:	40.00
	Shank type:	VDI
	Tool adaption:	Weldon (DIN 1835 b) 12
	Gear ratio [i]:	1,5:1
	Torque max [Nm]:	16
	Rotation max [1/min]:	2666
	Rotating direction:	opposite
	Coolant:	EXT
	Please note:	Special version
<b>8 030 46 045</b>	<b>Radial drilling and milling head ER 32</b>	
	Weight [kg]:	6.660
	Version:	left
	Tool drive:	Coupling
	Shank size [mm]:	40.00
	Shank type:	VDI
	Tool adaption:	ER 32
	Gear ratio [i]:	1:2
	Torque max [Nm]:	16
	Rotation max [1/min]:	12000
	Rotating direction:	opposite
	Coolant:	EXT
	Please note:	stronger bearing
	Center distance [mm]:	69
<b>8 030 46 048</b>	<b>Radial drilling and milling head ER 32 AX UT</b>	
	Weight [kg]:	5.610
	Version:	left
	Tool drive:	Coupling
	Shank size [mm]:	40.00
	Shank type:	VDI
	Tool adaption:	ER 32 A - u-tec
	Gear ratio [i]:	1:1
	Torque max [Nm]:	50
	Rotation max [1/min]:	6000
	Rotating direction:	same
	Coolant:	EXT
	Center distance [mm]:	69
<b>8 030 46 077</b>	<b>Radial drilling and milling head ER 32</b>	
	Weight [kg]:	5.720
	Version:	left
	Tool drive:	Coupling
	Shank size [mm]:	40.00
	Shank type:	VDI
	Tool adaption:	ER 32
	Gear ratio [i]:	1:1
	Torque max [Nm]:	50
	Rotation max [1/min]:	5000
	Rotating direction:	same
	Coolant:	EXT
	Center distance [mm]:	69

Part-#	Name	
<b>8 030 46 260</b>	<b>Radial drilling and milling head ER 32 AX UT</b>	
	Version:	left
	Tool drive:	Coupling
	Shank size [mm]:	40.00
	Shank type:	VDI
	Tool adaption:	ER 32 A - u-tec
	Gear ratio [i]:	1:2
	Torque max [Nm]:	16
	Rotation max [1/min]:	12000
	Rotating direction:	opposite
	Coolant:	EXT
	Please note:	stronger bearing
	Center distance [mm]:	69
<b>8 030 46 280</b>	<b>Radial drilling and milling head ER 32 AX UT IC</b>	
	Weight [kg]:	6.140
	Version:	left
	Tool drive:	Coupling
	Shank size [mm]:	40.00
	Shank type:	VDI
	Tool adaption:	ER 32 A - u-tec
	Gear ratio [i]:	1:1
	Torque max [Nm]:	50
	Rotation max [1/min]:	6000
	Rotating direction:	same
	Coolant:	IC/Ext
	Pressure max [bar]:	140
	Center distance [mm]:	69
<b>8 030 47 066</b>	<b>Radial drilling and milling head ER 40</b>	
	Weight [kg]:	5.660
	Version:	left
	Tool drive:	Coupling
	Shank size [mm]:	40.00
	Shank type:	VDI
	Tool adaption:	ER 40
	Gear ratio [i]:	2:1
	Torque max [Nm]:	63
	Rotation max [1/min]:	3000
	Rotating direction:	opposite
	Coolant:	EXT
	Center distance [mm]:	69
<b>8 030 47 125</b>	<b>Radial drilling and milling head ER 40 IC</b>	
	Weight [kg]:	6.230
	Version:	left
	Tool drive:	Coupling
	Shank size [mm]:	40.00
	Shank type:	VDI
	Tool adaption:	ER 40
	Gear ratio [i]:	2:1
	Torque max [Nm]:	63
	Rotation max [1/min]:	3000
	Rotating direction:	opposite
	Coolant:	IC/Ext
	Pressure max [bar]:	25
	Center distance [mm]:	69

Part-#	Name	
<b>8 033 45 015</b>	<b>Radial drilling and milling head ER 25 IC</b>	
	Weight [kg]:	8.340
	Version:	left
	Tool drive:	Coupling
	Shank size [mm]:	40.00
	Shank type:	VDI
	Tool adaption:	ER 25
	Gear ratio [i]:	1:2
	Torque max [Nm]:	25
	Rotation max [1/min]:	8000
	Rotating direction:	same
	Coolant:	IC/Ext
<b>8 033 46 024</b>	<b>Radial drilling and milling head ER 32 IC</b>	
	Notation:	offset
	Version:	left
	Tool drive:	Coupling
	Shank size [mm]:	40.00
	Shank type:	VDI
	Tool adaption:	ER 32
	Gear ratio [i]:	1:1
	Torque max [Nm]:	50
	Rotation max [1/min]:	6000
	Rotating direction:	same
	Coolant:	IC/Ext
	Pressure max [bar]:	140
	Center distance [mm]:	100
<b>8 033 46 028</b>	<b>Radial drilling and milling head ER 32</b>	
	Weight [kg]:	7.700
	Notation:	offset
	Version:	left
	Tool drive:	Coupling
	Shank size [mm]:	40.00
	Shank type:	VDI
	Tool adaption:	ER 32
	Gear ratio [i]:	1:1
	Torque max [Nm]:	50
	Rotation max [1/min]:	6000
	Rotating direction:	same
	Coolant:	EXT
	Please note:	without reverse rotation
	Center distance [mm]:	100
<b>8 033 46 032</b>	<b>Radial drilling and milling head ER 32 IC</b>	
	Weight [kg]:	8.620
	Notation:	offset
	Version:	left
	Tool drive:	Coupling
	Shank size [mm]:	40.00
	Shank type:	VDI
	Tool adaption:	ER 32
	Gear ratio [i]:	2:1
	Torque max [Nm]:	63
	Rotation max [1/min]:	3000
	Rotating direction:	same
	Coolant:	IC/Ext
	Center distance [mm]:	100

Part-#	Name
<b>8 033 46 098</b>	<b>Radial drilling and milling head ER 32 AX UT IC</b>
	Weight [kg]: 8.080
	Notation: offset
	Version: left
	Tool drive: Coupling
	Shank size [mm]: 40.00
	Shank type: VDI
	Tool adaption: ER 32 A - u-tec
	Gear ratio [i]: 1:1
	Torque max [Nm]: 50
	Rotation max [1/min]: 6000
	Rotating direction: same
	Coolant: IC/Ext
	Pressure max [bar]: 140
	Center distance [mm]: 100
<b>8 033 46 116</b>	<b>Radial drilling and milling head ER 32 AX UT</b>
	Weight [kg]: 7.530
	Notation: offset
	Version: left
	Tool drive: Coupling
	Shank size [mm]: 40.00
	Shank type: VDI
	Tool adaption: ER 32 A - u-tec
	Gear ratio [i]: 1:1
	Torque max [Nm]: 50
	Rotation max [1/min]: 6000
	Rotating direction: same
	Coolant: EXT
	Please note: without reverse rotation
	Center distance [mm]: 100
<b>8 033 47 021</b>	<b>Radial drilling and milling head HT 5 IC</b>
	Weight [kg]: 8.620
	Notation: offset
	Version: left
	Tool drive: Coupling
	Shank size [mm]: 40.00
	Shank type: VDI
	Tool adaption: HT 5
	Gear ratio [i]: 2:1
	Torque max [Nm]: 63
	Rotation max [1/min]: 3000
	Rotating direction: same
	Coolant: IC/Ext
	Center distance [mm]: 100
<b>8 037 49 021</b>	<b>Radial disk mill head shaft diameter 16-32</b>
	Weight [kg]: 14.650
	Version: left
	Tool drive: Coupling
	Shank size [mm]: 40.00
	Shank type: VDI
	Tool adaption: Interchangeable arbor
	Gear ratio [i]: 3:1
	Torque max [Nm]: 80
	Rotation max [1/min]: 2000
	Rotating direction: opposite

Part-#	Name	
	Coolant:	EXT
	Please note:	Price without arbor, strong version
	Center distance [mm]:	113
<b>8 040 44 037</b>	<b>Universal head <math>\pm 90^\circ</math> adjustable ER 16 AX UT</b>	
	Tool drive:	Coupling
	Shank size [mm]:	40.00
	Shank type:	VDI
	Tool adaption:	ER 16 A - u-tec
	Gear ratio [i]:	1:2
	Torque max [Nm]:	12
	Rotation max [1/min]:	12000
	Rotating direction:	opposite
	Coolant:	EXT
	Center distance [mm]:	87
<b>8 040 44 063</b>	<b>Universal head <math>\pm 90^\circ</math> adjustable ER 16 AX UT</b>	
	Tool drive:	Coupling
	Shank size [mm]:	40.00
	Shank type:	VDI
	Tool adaption:	ER 16 A - u-tec
	Gear ratio [i]:	1:1
	Torque max [Nm]:	25
	Rotation max [1/min]:	6000
	Rotating direction:	opposite
	Coolant:	EXT
	Center distance [mm]:	87
<b>8 040 44 083</b>	<b>Universal head <math>\pm 90^\circ</math> adjustable ER 16 AX UT IC</b>	
	Tool drive:	Coupling
	Shank size [mm]:	40.00
	Shank type:	VDI
	Tool adaption:	ER 16 A - u-tec
	Gear ratio [i]:	1:1
	Torque max [Nm]:	25
	Rotation max [1/min]:	6000
	Rotating direction:	opposite
	Coolant:	IC/Ext
	Pressure max [bar]:	140
	Center distance [mm]:	87
<b>8 040 44 087</b>	<b>Universal head <math>\pm 90^\circ</math> adjustable ER 16 AX UT IC</b>	
	Tool drive:	Coupling
	Shank size [mm]:	40.00
	Shank type:	VDI
	Tool adaption:	ER 16 A - u-tec
	Gear ratio [i]:	1:2
	Torque max [Nm]:	12
	Rotation max [1/min]:	12000
	Rotating direction:	opposite
	Coolant:	IC/Ext
	Pressure max [bar]:	140
	Center distance [mm]:	87

Part-#	Name	
<b>8 040 45 062</b>	<b>Universal head <math>\pm 90^\circ</math> adjustable ER 25 AX UT</b>	
	Weight [kg]:	5.400
	Tool drive:	Coupling
	Shank size [mm]:	40.00
	Shank type:	VDI
	Tool adaption:	ER 25 A - u-tec
	Gear ratio [i]:	1:1
	Torque max [Nm]:	25
	Rotation max [1/min]:	6000
	Rotating direction:	opposite
	Coolant:	EXT
	Please note:	stronger bearing
	Center distance [mm]:	87
<b>8 040 45 149</b>	<b>Universal head <math>\pm 95^\circ</math> adjustable ER 25 AX UT IC</b>	
	Weight [kg]:	5.390
	Tool drive:	Coupling
	Shank size [mm]:	40.00
	Shank type:	VDI
	Tool adaption:	ER 25 A - u-tec
	Gear ratio [i]:	1:1
	Torque max [Nm]:	25
	Rotation max [1/min]:	6000
	Rotating direction:	opposite
	Coolant:	IC/Ext
	Pressure max [bar]:	140
	Please note:	stronger bearing
	Center distance [mm]:	87
<b>8 200 40 000</b>	<b>Plug Z2-40 K</b>	
	Weight [kg]:	0.140
	Shank size [mm]:	40.00
	Shank type:	VDI
<b>8 200 40 001</b>	<b>Plug Z2-40 S</b>	
	Weight [kg]:	1.360
	Shank size [mm]:	40.00
	Shank type:	VDI
<b>8 202 43 000</b>	<b>Basic holder transversal set SZ 40</b>	
	Weight [kg]:	1.560
	Shank size [mm]:	40.00
	Shank type:	VDI
	Tool adaption:	Interface SZ 40
	Coolant:	EXT
<b>8 206 42 000</b>	<b>Adapter for VDI 30</b>	
	Weight [kg]:	3.530
	Version:	doubletoothed
	Shank size [mm]:	40.00
	Shank type:	VDI
	Tool adaption:	DIN 69880 - 30
	Coolant:	EXT
	Please note:	Special


Part-#	Name	
<b>8 208 49 001</b>	<b>Test mandrel VDI 40x40x200</b>	
	Weight [kg]:	3.020
	Shank size [mm]:	40.00
	Shank type:	VDI
<b>8 208 49 003</b>	<b>Test mandrel VDI 40x40x300</b>	
	Weight [kg]:	4.020
	Shank size [mm]:	40.00
	Shank type:	VDI
<b>8 210 41 000</b>	<b>Tool holder F 40-MK 1</b>	
	Weight [kg]:	1.600
	Shank size [mm]:	40.00
	Shank type:	VDI
	Tool adaption:	DIN 228 D - MK 1
	Coolant:	IC
<b>8 210 42 001</b>	<b>Tool holder F 40-MK 2</b>	
	Weight [kg]:	1.620
	Shank size [mm]:	40.00
	Shank type:	VDI
	Tool adaption:	DIN 228 D - MK 2
	Coolant:	IC
<b>8 210 43 000</b>	<b>Tool holder E2-40x 8</b>	
	Shank size [mm]:	40.00
	Shank type:	VDI
	Tool adaption:	Ø 8
	Coolant:	IC/Ext
<b>8 210 43 002</b>	<b>Tool holder F 40-MK 3</b>	
	Weight [kg]:	1.520
	Shank size [mm]:	40.00
	Shank type:	VDI
	Tool adaption:	DIN 228 D - MK 3
	Coolant:	IC
<b>8 210 43 003</b>	<b>Short drill chuck VDI 40x 8</b>	
	Weight [kg]:	1.700
	Shank size [mm]:	40.00
	Shank type:	VDI
	Coolant:	EXT
<b>8 210 43 004</b>	<b>Short drill chuck VDI 40x 8 - IC</b>	
	Weight [kg]:	1.730
	Shank size [mm]:	40.00
	Shank type:	VDI
	Coolant:	IC
<b>8 210 44 001</b>	<b>Tool holder E2-40x10</b>	
	Weight [kg]:	2.320
	Shank size [mm]:	40.00
	Shank type:	VDI
	Tool adaption:	Ø 10
	Coolant:	IC/Ext



Part-#	Name	
<b>8 210 44 007</b>	<b>Tool holder F 40-MK 4</b>	
	Weight [kg]:	2.460
	Shank size [mm]:	40.00
	Shank type:	VDI
	Tool adaption:	DIN 228 D - MK 4
	Coolant:	IC
<b>8 210 44 008</b>	<b>Short drill chuck VDI 40x13</b>	
	Weight [kg]:	2.280
	Shank size [mm]:	40.00
	Shank type:	VDI
	Coolant:	EXT
<b>8 210 44 010</b>	<b>Tool holder E1-40x10</b>	
	Shank size [mm]:	40.00
	Shank type:	VDI
	Tool adaption:	Ø 10
	Coolant:	IC
<b>8 210 44 011</b>	<b>Tool holder E1-40x12</b>	
	Shank size [mm]:	40.00
	Shank type:	VDI
	Tool adaption:	Ø 12
	Coolant:	IC
<b>8 210 44 014</b>	<b>Short drill chuck VDI 40x13 - IC</b>	
	Weight [kg]:	2.290
	Shank size [mm]:	40.00
	Shank type:	VDI
	Coolant:	IC
<b>8 210 44 019</b>	<b>Tool holder E2-40x10 - special</b>	
	Shank size [mm]:	40.00
	Shank type:	VDI
	Tool adaption:	Ø 10
	Coolant:	IC/Ext
	Please note:	Shaft with hole, locked with screw
<b>8 210 44 020</b>	<b>Tool holder E2-40x12 - special</b>	
	Shank size [mm]:	40.00
	Shank type:	VDI
	Tool adaption:	Ø 12
	Coolant:	IC/Ext
	Please note:	Shaft with hole, locked with screw
<b>8 210 45 000</b>	<b>Tool holder E2-40x16</b>	
	Shank size [mm]:	40.00
	Shank type:	VDI
	Tool adaption:	Ø 16
	Coolant:	IC/Ext

Part-#	Name		
	<b>8 210 45 002</b>	<b>Tool holder E4-40xER 25</b>	
		Weight [kg]:	1.570
		Shank size [mm]:	40.00
		Shank type:	VDI
		Tool adaption:	ER 25
	Coolant:	IC	
	<b>8 210 45 003</b>	<b>Tool holder E1-40x16</b>	
		Shank size [mm]:	40.00
		Shank type:	VDI
		Tool adaption:	Ø 16
		Coolant:	IC
	<b>8 210 45 006</b>	<b>Short drill chuck VDI 40x16</b>	
		Weight [kg]:	2.460
		Shank size [mm]:	40.00
		Shank type:	VDI
		Coolant:	EXT
	<b>8 210 45 009</b>	<b>Short drill chuck VDI 40x16 - IC</b>	
		Weight [kg]:	2.320
		Shank size [mm]:	40.00
		Shank type:	VDI
		Coolant:	IC
	<b>8 210 45 020</b>	<b>Tool holder ER 25 AX UT IC</b>	
		Weight [kg]:	1.860
		Shank size [mm]:	40.00
		Shank type:	VDI
		Tool adaption:	ER 25 A - u-tec
		Coolant:	IC/Ext
	<b>8 210 46 000</b>	<b>Tool holder E4-40xER 32</b>	
		Weight [kg]:	1.640
		Shank size [mm]:	40.00
		Shank type:	VDI
		Tool adaption:	ER 32
	Coolant:	IC	
	<b>8 210 46 002</b>	<b>Tool holder E2-40x20</b>	
		Shank size [mm]:	40.00
		Shank type:	VDI
		Tool adaption:	Ø 20
		Coolant:	IC/Ext
	<b>8 210 46 004</b>	<b>Tool holder E1-40x20</b>	
		Shank size [mm]:	40.00
		Shank type:	VDI
		Tool adaption:	Ø 20
		Coolant:	IC

Part-#	Name	
<b>8 210 46 010</b>	<b>Tool holder E2-40x20 - special</b>	
	Shank size [mm]:	40.00
	Shank type:	VDI
	Tool adaption:	Ø 20
	Coolant:	IC/Ext
	Please note:	Shaft with hole, locked with screw
<b>8 210 47 001</b>	<b>Tool holder E2-40x25</b>	
	Shank size [mm]:	40.00
	Shank type:	VDI
	Tool adaption:	Ø 25
	Coolant:	IC/Ext
<b>8 210 47 004</b>	<b>Tool holder E4-40xER 40</b>	
	Shank size [mm]:	40.00
	Shank type:	VDI
	Tool adaption:	ER 40
	Coolant:	IC
<b>8 210 47 005</b>	<b>Tool holder E1-40x25</b>	
	Weight [kg]:	1.840
	Shank size [mm]:	40.00
	Shank type:	VDI
	Tool adaption:	Ø 25
	Coolant:	IC
<b>8 210 47 010</b>	<b>Tool holder HT 5 IC</b>	
	Version:	right / left
	Shank size [mm]:	40.00
	Shank type:	VDI
	Tool adaption:	HT 5
	Coolant:	IC/Ext
	Please note:	HT- insert 3x 90° demountable
<b>8 210 47 012</b>	<b>Tool holder HT 5 IC</b>	
	Weight [kg]:	1.880
	Version:	left
	Shank size [mm]:	40.00
	Shank type:	VDI
	Tool adaption:	HT 5
	Coolant:	IC/Ext
<b>8 210 48 001</b>	<b>Tool holder E2-40x32</b>	
	Shank size [mm]:	40.00
	Shank type:	VDI
	Tool adaption:	Ø 32
	Coolant:	IC/Ext
<b>8 210 48 004</b>	<b>Tool holder E1-40x32</b>	
	Weight [kg]:	1.830
	Shank size [mm]:	40.00
	Shank type:	VDI
	Tool adaption:	Ø 32
	Coolant:	IC

Part-#	Name	
<b>8 210 48 012</b>	<b>Tool holder E2-40x32 special</b>	
	Version:	Special
	Shank size [mm]:	40.00
	Shank type:	VDI
	Tool adaption:	Ø 32
	Coolant:	IC/Ext
	Please note:	with end stop
<b>8 210 49 000</b>	<b>Tool holder E2-40x40</b>	
	Shank size [mm]:	40.00
	Shank type:	VDI
	Tool adaption:	Ø 40
	Coolant:	IC/Ext
<b>8 210 49 002</b>	<b>Tool holder E1-40x40</b>	
	Shank size [mm]:	40.00
	Shank type:	VDI
	Tool adaption:	Ø 40
	Coolant:	IC
<b>8 210 49 003</b>	<b>Tool holder E1-40x50</b>	
	Shank size [mm]:	40.00
	Shank type:	VDI
	Tool adaption:	Ø 50
	Coolant:	IC
<b>8 210 49 005</b>	<b>Tool holder E2-40x50</b>	
	Weight [kg]:	3.000
	Shank size [mm]:	40.00
	Shank type:	VDI
	Tool adaption:	Ø 50
	Coolant:	IC/Ext
<b>8 215 43 000</b>	<b>Tool holder C2-40x25</b>	
	Employment for:	VDI 40
	Version:	left
	Shank size [mm]:	40.00
	Shank type:	VDI
	Tool adaption:	Sq. 25/20
	Coolant:	EXT
<b>8 215 43 001</b>	<b>Tool holder C4-40x25</b>	
	Employment for:	VDI 40
	Version:	left
	Shank type:	VDI
	Tool adaption:	Sq. 25/20
	Coolant:	EXT
<b>8 215 43 003</b>	<b>Tool holder C2-40x25 special</b>	
	Weight [kg]:	4.480
	Version:	left
	Shank size [mm]:	40.00
	Shank type:	VDI
	Tool adaption:	Sq. 25/20
	Coolant:	EXT

Part-#	Name	
<b>8 219 47 004</b>	<b>Boring bar holder ø 25</b>	
	Weight [kg]:	2.820
	Version:	left; offset
	Shank size [mm]:	40.00
	Shank type:	VDI
	Tool adaption:	Ø 25
	Coolant:	IC/Ext
	Offset [mm]:	25
<b>8 219 48 006</b>	<b>Boring bar holder ø 32</b>	
	Version:	left, offset
	Shank size [mm]:	40.00
	Shank type:	VDI
	Tool adaption:	Ø 32
	Coolant:	IC/Ext
	Offset [mm]:	30
<b>8 235 43 000</b>	<b>Tool holder B2-40x25x44</b>	
	Employment for:	VDI 40
	Version:	left
	Shank size [mm]:	40.00
	Shank type:	VDI
	Tool adaption:	Sq. 25/20
	Coolant:	EXT
<b>8 235 43 001</b>	<b>Tool holder B4-40x25x44</b>	
	Employment for:	VDI 40
	Version:	left
	Shank size [mm]:	40.00
	Shank type:	VDI
	Tool adaption:	Sq. 25/20
	Coolant:	EXT
<b>8 235 43 009</b>	<b>Tool holder B6-40x25x44 special</b>	
	Weight [kg]:	2.960
	Employment for:	VDI 40
	Version:	Special; left
	Shank size [mm]:	40.00
	Shank type:	VDI
	Tool adaption:	Sq. 25/20
	Coolant:	EXT
	Please note:	Insert for system "Jetstream" from Seco
<b>8 235 43 010</b>	<b>Tool holder B2-40x25x44 special</b>	
	Weight [kg]:	2.260
	Employment for:	VDI 40
	Version:	Special; left
	Shank size [mm]:	40.00
	Shank type:	VDI
	Tool adaption:	Sq. 25/20
	Coolant:	EXT
	Please note:	Insert for system "Jetstream" from Seco
<b>8 262 49 000</b>	<b>Stock stop VDI 40 - Ø 42</b>	
	Weight [kg]:	1.360
	Shank size [mm]:	40.00
	Shank type:	VDI

Part-#	Name	
<b>8 262 49 001</b>	<b>Stock stop VDI 40 - Ø 60</b>	
	Weight [kg]:	1.620
	Shank size [mm]:	40.00
	Shank type:	VDI
<b>8 262 49 002</b>	<b>Stock stop VDI 40 - Ø 54</b>	
	Weight [kg]:	1.530
	Shank size [mm]:	40.00
	Shank type:	VDI
<b>8 267 49 002</b>	<b>Bar pick-up VDI 40 offset left</b>	
	Weight [kg]:	2.080
	Version:	left
	Shank size [mm]:	40.00
	Shank type:	VDI
	Please note:	Chuck jaws 62-85 mm special accessories
<b>8 320 42 018</b>	<b>Cut-off holder, height adjustable SH 26 IC</b>	
	Version:	universal
	Shank size [mm]:	40.00
	Shank type:	VDI
	Tool adaption:	Clampshaft SH 26
	Coolant:	IC/Ext
	Pressure max [bar]:	70
<b>8 320 43 009</b>	<b>Cut-off holder, height adjustable SH 32 IC</b>	
	Weight [kg]:	2.480
	Version:	universal
	Shank size [mm]:	40.00
	Shank type:	VDI
	Tool adaption:	Clampshaft SH 32
	Coolant:	IC/Ext
	Pressure max [bar]:	70
<b>8 320 49 005</b>	<b>Cut-off holder, height adjustable 845 IC</b>	
	Weight [kg]:	2.700
	Version:	universal
	Shank size [mm]:	40.00
	Shank type:	VDI
	Tool adaption:	 System 845
	Coolant:	IC
	Pressure max [bar]:	70

## heimatec.u-tec®

heimatec.com

Products / Tool change systems /  
u-tec® Tool-changing system



versions see catalog



## heimatec.easy-quick

heimatec.com

Products / Tool change systems /  
easy-quick HT quick-changing system



versions see catalog



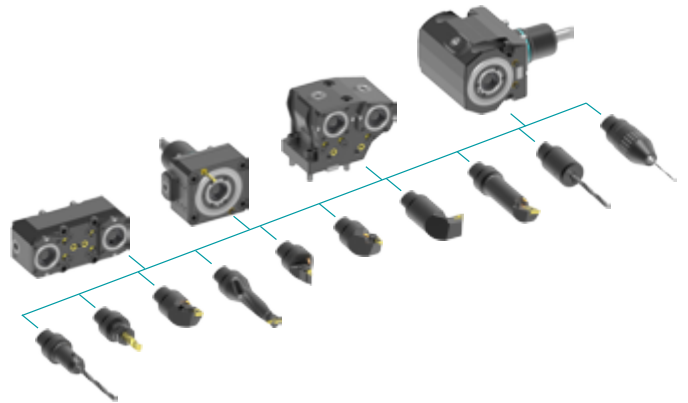
## heimatec.Capto™

heimatec.com

Products / Tool change systems /  
heimatec.Capto™ quick-changing system



versions see catalog



## heimatec.accessories

heimatec.com

Products / Accessories



versions see catalog





● heimatec overseas branches

○ global representations of heimatec

**heimatec**<sup>®</sup>

**heimatec GmbH**  
Präzisionswerkzeuge  
Carl-Benz-Str. 4  
77871 Renchen  
Germany

T +49 7843 9466 0  
[www.heimatec.com](http://www.heimatec.com)  
[info@heimatec.com](mailto:info@heimatec.com)

Please find the contact details of our worldwide trading partners on our website:  
<https://heimatec.com/business-partners>