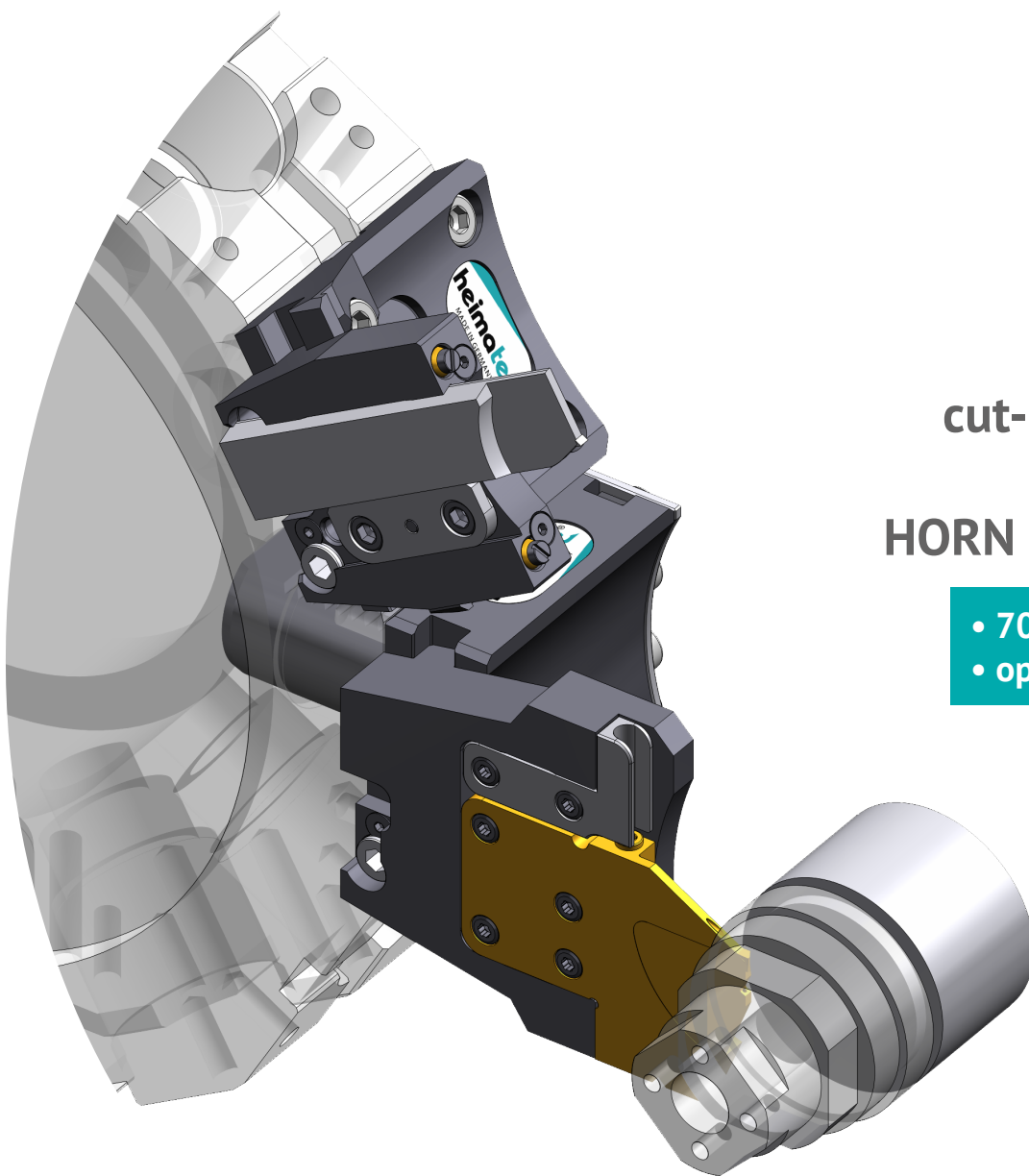


Modular Cut-off / Part-off holders

BMT and VDI

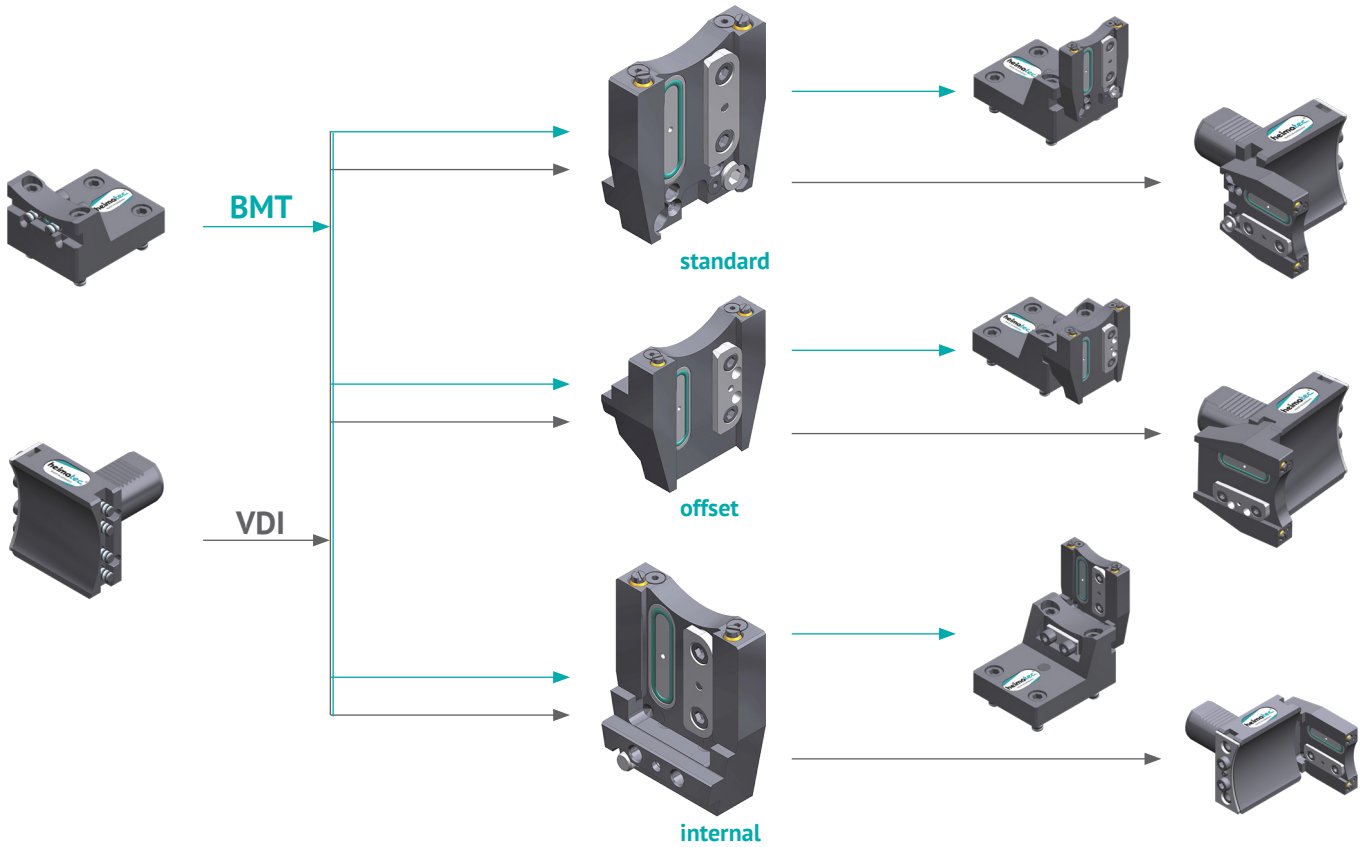


cut-off blade
and
HORN system 845

- 70 bar IC
- optional Ext

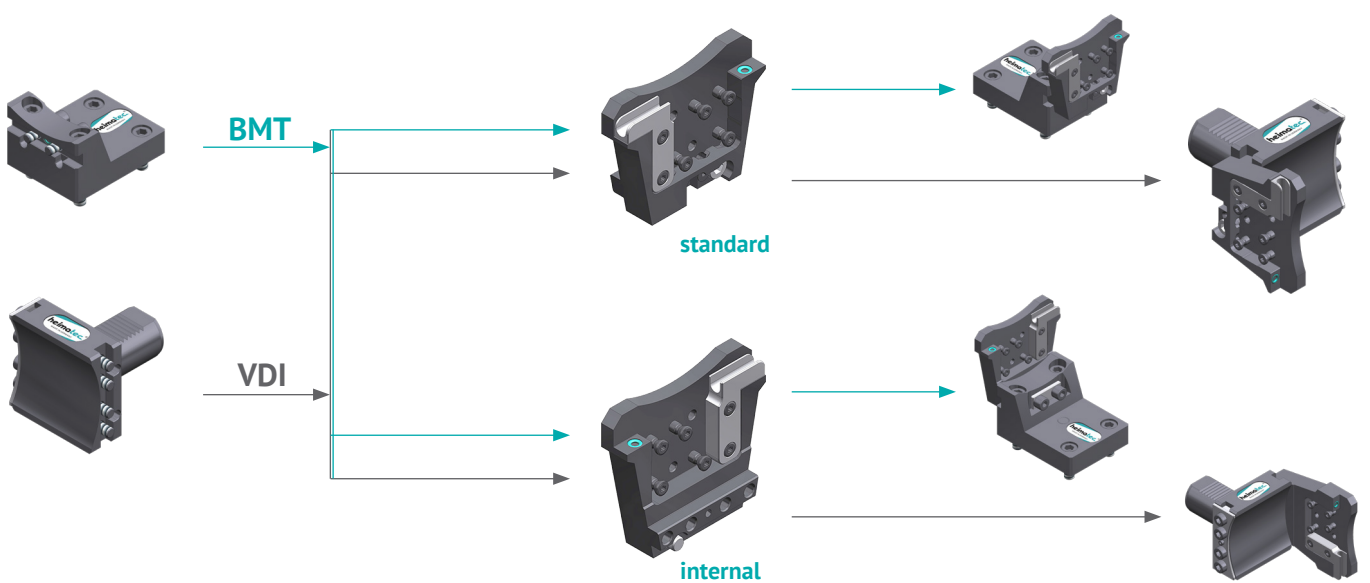
SH 26 / 32 for BMT / VDI

basic holder + adapter = complete cut-off holder



ph HORN ph System 845 for BMT / VDI

basic holder + adapter = complete cut-off holder

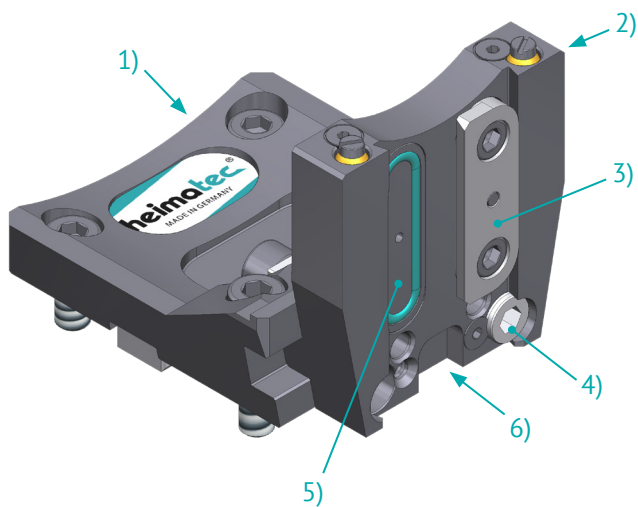


FACTS

- tool adaption: cut-off blade SH 26 / 32 or system holder HORN 845
- height adjustable
- flexible combinations
- IC 70 bar

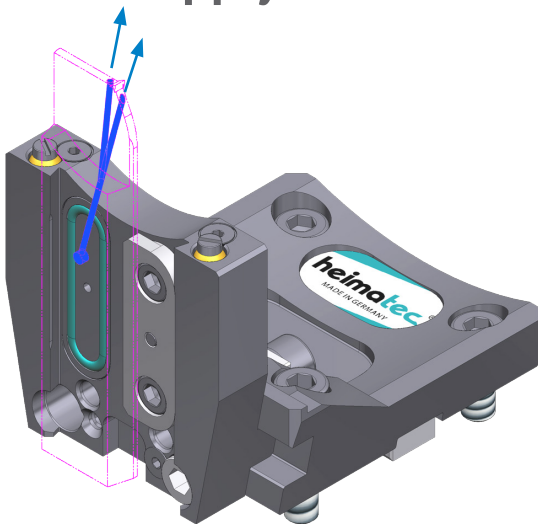
features

cut-off holder with blade SH 26 / 32



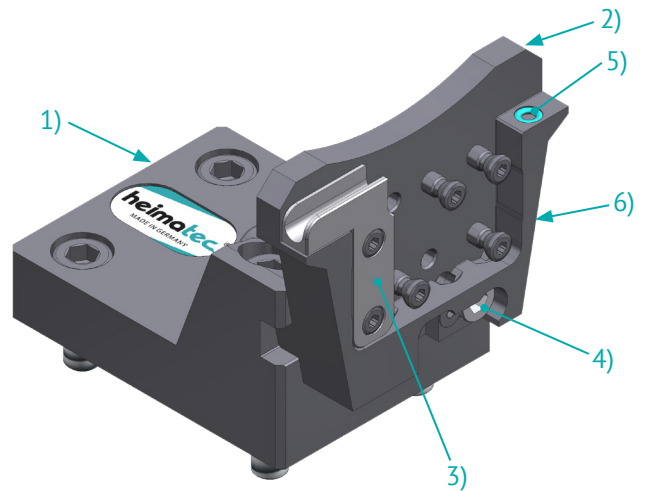
- 1) basic holder**
180° reversible *
main and sub spindle
- 2) adapter**
variable applicability for main and sub spindle
normal / over head (Ext / IC / Ext + IC)
- 3) parting blade clamp**
180° reversible
normal / over head

coolant supply

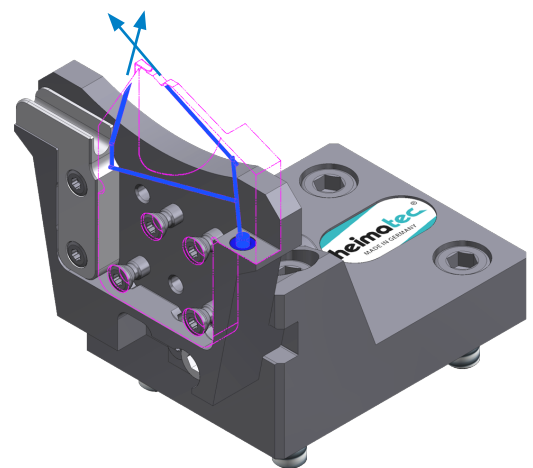


ph HORN ph

cut-off holder with HORN system 845



- 4) eccentric**
for height adjustability ± 1 mm
- 5) coolant supply**
rail for internal coolant supply, 180° reversible
(depends on Pos. 3 [Ext / IC / Ext + IC])
- 6) tool adaption**
cut-off blade SH 26 / 32
HORN cassettes with HORN System 845
180° reversible (depends on Pos. 3 + Pos. 5)



benefits

- increased durability because of cooling lubricants
- no interference from coolant tubes
- internal coolant allows for unlimited applications
- defined cooling, lubrication and clearing of chips
- minimal set-up requirements

* = machine specific



● heimatec® overseas branches

○ global representations of heimatec®

heimatec®

heimatec® GmbH
Präzisionswerkzeuge
Carl-Benz-Str. 4
DE-77871 Renchen

T +49 7843 9466 0
F +49 7843 9466 66
www.heimatec.com
info@heimatec.com

Please find the contact details of our worldwide trading partners on our website:
<https://heimatec.com/business-partners>