

Gildemeister  
**CTX 500 Serie 2**



# High-tech from heimatec - heimatec - Tools and systems for productive turning and milling

heimatec belongs to the international technology and quality leaders for precision tools and specializes in the development and production of high-precision static and live tools for all CNC lathes, CNC turn-/mill machines and CNC machining centers.

The range of products\* spans from static BMT and VDI tool holders, live tools up to highly complex customer-specific individual solutions. heimatec, headquartered in Renchen, has a own subsidiary in Asia and India and numerous representatives as well as trading partners all over the world.

## \*OUR PRODCUTS

Static tool holders

Live tool units

Precision tools

Tools for turning and machining centres

Tools for swiss type lathes

Tool changing and uick-change systems

Tool systems for gear production

Digital tool management

This catalogue, including all its parts, is protected by copyright. Any use outside the restricted limitations of the Copyright Act without the consent of heimatec is inadmissible and liable to prosecution. This applies in particular to duplication, translation, microfilming and storage and processing in electronic systems.

**heimatec GmbH** reserves the right to make technical changes at any time without giving prior notice. This applies in particular to adjustments at any time to meet new or changed international standards, or in case of further developments of our products or manufacturing processes.

The current version of our General Terms and Conditions can be found on our website.

Part-#	Name	
<b>8 010 46 001</b>	<b>Axial drilling and milling head ER 32</b>	
	Weight [kg]:	3.270
	Tool drive:	DIN 5482
	Shank size [mm]:	40.00
	Shank type:	VDI
	Tool adaption:	ER 32
	Gear ratio [i]:	1:1
	Torque max [Nm]:	50
	Rotation max [1/min]:	6000
	Rotating direction:	same
	Coolant:	EXT
<b>8 010 46 004</b>	<b>Axial drilling and milling head C 20</b>	
	Tool drive:	DIN 5482
	Shank size [mm]:	40.00
	Shank type:	VDI
	Tool adaption:	DIN 6388 - C 20
	Gear ratio [i]:	1:1
	Torque max [Nm]:	50
	Rotation max [1/min]:	6000
	Rotating direction:	same
	Coolant:	EXT
<b>8 010 46 195</b>	<b>Axial drilling and milling head ER 32 AX UT IC</b>	
	Weight [kg]:	3.340
	Tool drive:	DIN 5482
	Shank size [mm]:	40.00
	Shank type:	VDI
	Tool adaption:	ER 32 A - u-tec
	Gear ratio [i]:	1:1
	Torque max [Nm]:	50
	Rotation max [1/min]:	6000
	Rotating direction:	same
	Coolant:	IC/Ext
	Pressure max [bar]:	25
	Please note:	round housing Ø 84
<b>8 010 46 196</b>	<b>Axial drilling and milling head ER 32 AX UT</b>	
	Weight [kg]:	3.200
	Tool drive:	DIN 5482
	Shank size [mm]:	40.00
	Shank type:	VDI
	Tool adaption:	ER 32 A - u-tec
	Gear ratio [i]:	1:1
	Torque max [Nm]:	50
	Rotation max [1/min]:	6000
	Rotating direction:	same
	Coolant:	EXT
	Please note:	round housing ø 84
<b>8 010 46 281</b>	<b>Axial drilling and milling head ER 32 IC</b>	
	Weight [kg]:	3.400
	Tool drive:	DIN 5482
	Shank size [mm]:	40.00
	Shank type:	VDI
	Tool adaption:	ER 32
	Gear ratio [i]:	1:1
	Torque max [Nm]:	50

Part-#	Name	
	Rotation max [1/min]:	6000
	Rotating direction:	same
	Coolant:	IC/Ext
	Pressure max [bar]:	25
	Please note:	round housing ø 84
<b>8 010 47 003</b>	<b>Axial drilling and milling head Weldon 1" IC</b>	
	Tool drive:	DIN 5482
	Shank size [mm]:	40.00
	Shank type:	VDI
	Tool adaption:	Weldon (DIN 1835 b) 1" (25,4mm)
	Gear ratio [i]:	1:1
	Torque max [Nm]:	50
	Rotation max [1/min]:	5000
	Rotating direction:	same
	Coolant:	IC/Ext
<b>8 010 47 032</b>	<b>Axial drilling and milling head Weldon 25 IC</b>	
	Tool drive:	DIN 5482
	Shank size [mm]:	40.00
	Shank type:	VDI
	Tool adaption:	Weldon (DIN 1835 b) 25
	Gear ratio [i]:	1:1
	Torque max [Nm]:	50
	Rotation max [1/min]:	6000
	Rotating direction:	same
	Coolant:	IC/Ext
	Pressure max [bar]:	25
	Please note:	round housing ø 84
<b>8 010 47 035</b>	<b>Axial drilling and milling head Weldon 25</b>	
	Tool drive:	DIN 5482
	Shank size [mm]:	40.00
	Shank type:	VDI
	Tool adaption:	Weldon (DIN 1835 b) 25
	Gear ratio [i]:	1:1
	Torque max [Nm]:	50
	Rotation max [1/min]:	6000
	Rotating direction:	same
	Coolant:	EXT
	Please note:	round housing ø 84
<b>8 010 47 103</b>	<b>Axial drilling and milling head HT 5 IC</b>	
	Weight [kg]:	3.440
	Tool drive:	DIN 5482
	Shank size [mm]:	40.00
	Shank type:	VDI
	Tool adaption:	HT 5
	Gear ratio [i]:	1:1
	Torque max [Nm]:	50
	Rotation max [1/min]:	6000
	Rotating direction:	same
	Coolant:	IC/Ext
	Pressure max [bar]:	25
	Please note:	round housing ø 84

Part-#	Name	
<b>8 010 47 104</b>	<b>Axial drilling and milling head HT 5</b>	
	Weight [kg]:	3.210
	Tool drive:	DIN 5482
	Shank size [mm]:	40.00
	Shank type:	VDI
	Tool adaption:	HT 5
	Gear ratio [i]:	1:1
	Torque max [Nm]:	50
	Rotation max [1/min]:	6000
	Rotating direction:	same
	Coolant:	EXT
	Please note:	round housing ø 84
<b>8 010 47 105</b>	<b>Axial drilling and milling head ER 40 IC</b>	
	Weight [kg]:	3.620
	Tool drive:	DIN 5482
	Shank size [mm]:	40.00
	Shank type:	VDI
	Tool adaption:	ER 40
	Gear ratio [i]:	1:1
	Torque max [Nm]:	50
	Rotation max [1/min]:	6000
	Rotating direction:	same
	Coolant:	IC/Ext
	Pressure max [bar]:	25
	Please note:	stronger bearing; round housing Ø 84
<b>8 011 44 000</b>	<b>Axial milling head universal arbor 16</b>	
	Weight [kg]:	3.320
	Tool drive:	DIN 5482
	Shank size [mm]:	40.00
	Shank type:	VDI
	Tool adaption:	Universal arbor 16
	Gear ratio [i]:	1:1
	Torque max [Nm]:	50
	Rotation max [1/min]:	6000
	Rotating direction:	same
	Coolant:	EXT
<b>8 011 45 002</b>	<b>Axial milling head universal arbor 22</b>	
	Weight [kg]:	3.440
	Tool drive:	DIN 5482
	Shank size [mm]:	40.00
	Shank type:	VDI
	Tool adaption:	Universal arbor 22
	Gear ratio [i]:	1:1
	Torque max [Nm]:	50
	Rotation max [1/min]:	6000
	Rotating direction:	same
	Coolant:	EXT
<b>8 011 48 000</b>	<b>Axial milling head universal arbor 40</b>	
	Version:	Special
	Tool drive:	DIN 5482
	Shank size [mm]:	40.00
	Shank type:	VDI
	Tool adaption:	Universal arbor 40
	Gear ratio [i]:	1:1

Part-#	Name	
	Torque max [Nm]:	50
	Rotation max [1/min]:	5000
	Rotating direction:	same
	Coolant:	EXT
	Please note:	stronger bearing
<b>8 013 46 001</b>	<b>Axial drilling and milling head ER 32</b>	
	Weight [kg]:	7.220
	Tool drive:	DIN 5482
	Shank size [mm]:	40.00
	Shank type:	VDI
	Tool adaption:	ER 32
	Gear ratio [i]:	3:1
	Torque max [Nm]:	75
	Rotation max [1/min]:	3000
	Rotating direction:	same
	Coolant:	EXT
<b>8 013 47 001</b>	<b>Axial drilling and milling head HT 5</b>	
	Weight [kg]:	7.200
	Tool drive:	DIN 5482
	Shank size [mm]:	40.00
	Shank type:	VDI
	Tool adaption:	HT 5
	Gear ratio [i]:	3:1
	Torque max [Nm]:	75
	Rotation max [1/min]:	3000
	Rotating direction:	same
	Coolant:	EXT
<b>8 014 46 000</b>	<b>Axial milling head universal arbor 27</b>	
	Version:	right
	Tool drive:	DIN 5482
	Shank size [mm]:	40.00
	Shank type:	VDI
	Tool adaption:	Universal arbor 27
	Gear ratio [i]:	4:1
	Torque max [Nm]:	100
	Rotation max [1/min]:	1500
	Rotating direction:	same
	Coolant:	EXT
	Please note:	stronger bearing
<b>8 019 47 035</b>	<b>Axial drilling and milling head HT 5 IC</b>	
	Notation:	offset
	Version:	right
	Tool drive:	DIN 5482
	Shank size [mm]:	40.00
	Shank type:	VDI
	Tool adaption:	HT 5
	Gear ratio [i]:	1:1
	Torque max [Nm]:	50
	Rotation max [1/min]:	6000
	Rotating direction:	opposite
	Coolant:	IC/Ext
	Pressure max [bar]:	25
	Please note:	stronger bearing
	Offset [mm]:	50

Part-#	Name	
<b>8 030 45 033</b>	<b>Radial drilling and milling head C 16</b>	
	Tool drive:	DIN 5482
	Shank size [mm]:	40.00
	Shank type:	VDI
	Tool adaption:	DIN 6388 - C 16
	Gear ratio [i]:	1:1
	Torque max [Nm]:	25
	Rotation max [1/min]:	4000
	Rotating direction:	opposite
	Coolant:	EXT
<b>8 030 45 039</b>	<b>Radial drilling and milling head ER 25</b>	
	Tool drive:	DIN 5482
	Shank size [mm]:	40.00
	Shank type:	VDI
	Tool adaption:	ER 25
	Gear ratio [i]:	1:1
	Torque max [Nm]:	25
	Coolant:	EXT
	Please note:	Special version
<b>8 030 45 086</b>	<b>Radial drilling and milling head ER 25</b>	
	Weight [kg]:	5.100
	Tool drive:	DIN 5482
	Shank size [mm]:	40.00
	Shank type:	VDI
	Tool adaption:	ER 25
	Gear ratio [i]:	1:1
	Torque max [Nm]:	50
	Rotation max [1/min]:	6000
	Rotating direction:	opposite
	Coolant:	EXT
	Please note:	stronger version
	Center distance [mm]:	69
<b>8 030 45 106</b>	<b>Radial drilling and milling head ER 25 IC</b>	
	Weight [kg]:	4.000
	Employment for:	VDI 40
	Tool drive:	DIN 5482
	Shank size [mm]:	40.00
	Shank type:	VDI
	Tool adaption:	ER 25
	Gear ratio [i]:	1:1
	Torque max [Nm]:	25
	Rotation max [1/min]:	6000
	Rotating direction:	opposite
	Coolant:	IC/Ext
	Pressure max [bar]:	25
	Center distance [mm]:	54
<b>8 030 46 027</b>	<b>Radial drilling and milling head ER 32</b>	
	Weight [kg]:	5.120
	Version:	right
	Tool drive:	DIN 5482
	Shank size [mm]:	40.00
	Shank type:	VDI
	Tool adaption:	ER 32
	Gear ratio [i]:	1:1

Part-#	Name	
	Torque max [Nm]:	50
	Rotation max [1/min]:	6000
	Rotating direction:	opposite
	Coolant:	EXT
	Center distance [mm]:	69
<b>8 030 46 081</b>	<b>Radial drilling and milling head ER 32 IC</b>	
	Weight [kg]:	5.680
	Tool drive:	DIN 5482
	Shank size [mm]:	40.00
	Shank type:	VDI
	Tool adaption:	ER 32
	Gear ratio [i]:	1:1
	Torque max [Nm]:	50
	Rotation max [1/min]:	6000
	Rotating direction:	opposite
	Coolant:	IC/Ext
	Pressure max [bar]:	140
	Center distance [mm]:	69
<b>8 030 46 102</b>	<b>Radial drilling and milling head Weldon 20 IC</b>	
	Tool drive:	DIN 5482
	Shank size [mm]:	40.00
	Shank type:	VDI
	Tool adaption:	Weldon (DIN 1835 b) 20
	Gear ratio [i]:	1:1
	Torque max [Nm]:	50
	Rotation max [1/min]:	6000
	Rotating direction:	opposite
	Coolant:	IC/Ext
	Pressure max [bar]:	25
	Please note:	stronger bearing
<b>8 030 46 158</b>	<b>Radial drilling and milling head ER 32</b>	
	Weight [kg]:	5.380
	Version:	right
	Tool drive:	DIN 5482
	Shank size [mm]:	40.00
	Shank type:	VDI
	Tool adaption:	ER 32
	Gear ratio [i]:	1:1
	Torque max [Nm]:	50
	Rotation max [1/min]:	6000
	Rotating direction:	same
	Coolant:	EXT
	Center distance [mm]:	69
<b>8 030 46 332</b>	<b>Radial drilling and milling head ER 32 AX UT</b>	
	Weight [kg]:	5.050
	Version:	right
	Tool drive:	DIN 5482
	Shank size [mm]:	40.00
	Shank type:	VDI
	Tool adaption:	ER 32 A - u-tec
	Gear ratio [i]:	1:1
	Torque max [Nm]:	50
	Rotation max [1/min]:	6000
	Rotating direction:	opposite

Part-#	Name	
	Coolant:	EXT
	Center distance [mm]:	69
<b>8 030 46 340</b>	<b>Radial drilling and milling head ER 32 AX UT IC</b>	
	Weight [kg]:	5.500
	Version:	right
	Tool drive:	DIN 5482
	Shank size [mm]:	40.00
	Shank type:	VDI
	Tool adaption:	ER 32 A - u-tec
	Gear ratio [i]:	1:1
	Torque max [Nm]:	50
	Rotation max [1/min]:	6000
	Rotating direction:	opposite
	Coolant:	IC/Ext
	Pressure max [bar]:	140
	Center distance [mm]:	69
<b>8 030 46 512</b>	<b>Radial drilling and milling head ER 32 AX UT</b>	
	Version:	right
	Tool drive:	DIN 5482
	Shank size [mm]:	40.00
	Shank type:	VDI
	Tool adaption:	ER 32 A - u-tec
	Gear ratio [i]:	2:1
	Torque max [Nm]:	63
	Rotation max [1/min]:	3000
	Rotating direction:	opposite
	Coolant:	EXT
	Center distance [mm]:	69
<b>8 030 47 009</b>	<b>Radial drilling and milling head C 25</b>	
	Weight [kg]:	5.380
	Tool drive:	DIN 5482
	Shank size [mm]:	40.00
	Shank type:	VDI
	Tool adaption:	DIN 6388 - C 25
	Gear ratio [i]:	1:1
	Torque max [Nm]:	50
	Rotation max [1/min]:	6000
	Rotating direction:	opposite
	Coolant:	EXT
	Center distance [mm]:	69
<b>8 030 47 027</b>	<b>Radial drilling and milling head ER 40 IC</b>	
	Weight [kg]:	5.840
	Version:	right
	Tool drive:	DIN 5482
	Shank size [mm]:	40.00
	Shank type:	VDI
	Tool adaption:	ER 40
	Gear ratio [i]:	1:1
	Torque max [Nm]:	50
	Rotation max [1/min]:	6000
	Rotating direction:	opposite
	Coolant:	IC/Ext
	Pressure max [bar]:	140
	Center distance [mm]:	69

Part-#	Name	
<b>8 030 47 038</b>	<b>Radial drilling and milling head HT 5</b>	
	Weight [kg]:	5.100
	Version:	right
	Tool drive:	DIN 5482
	Shank size [mm]:	40.00
	Shank type:	VDI
	Tool adaption:	HT 5
	Gear ratio [i]:	1:1
	Torque max [Nm]:	50
	Rotation max [1/min]:	6000
	Rotating direction:	opposite
	Coolant:	EXT
	Center distance [mm]:	69
<b>8 030 47 090</b>	<b>Radial drilling and milling head ER 40</b>	
	Version:	right
	Tool drive:	DIN 5482
	Shank size [mm]:	40.00
	Shank type:	VDI
	Tool adaption:	ER 40
	Gear ratio [i]:	1:1
	Torque max [Nm]:	50
	Rotation max [1/min]:	6000
	Rotating direction:	same
	Coolant:	EXT
	Center distance [mm]:	69
<b>8 031 44 007</b>	<b>Radial milling head universal arbor 16</b>	
	Weight [kg]:	5.100
	Version:	right
	Tool drive:	DIN 5482
	Shank size [mm]:	40.00
	Shank type:	VDI
	Tool adaption:	Universal arbor 16
	Gear ratio [i]:	2:1
	Torque max [Nm]:	63
	Rotation max [1/min]:	3000
	Rotating direction:	opposite
	Coolant:	EXT
	Center distance [mm]:	69
<b>8 031 45 000</b>	<b>Radial milling head universal arbor 22</b>	
	Weight [kg]:	3.700
	Version:	right
	Tool drive:	DIN 5482
	Shank size [mm]:	40.00
	Shank type:	VDI
	Tool adaption:	Universal arbor 22
	Gear ratio [i]:	1:1
	Torque max [Nm]:	25
	Rotation max [1/min]:	6000
	Rotating direction:	opposite
	Coolant:	no
	Center distance [mm]:	54

Part-#	Name	
<b>8 031 46 001</b>	<b>Radial milling head universal arbor 27</b>	
	Tool drive:	DIN 5482
	Shank size [mm]:	40.00
	Shank type:	VDI
	Tool adaption:	Universal arbor 27
	Gear ratio [i]:	1:1
	Torque max [Nm]:	50
	Rotation max [1/min]:	4000
	Rotating direction:	opposite
	Coolant:	EXT
	Please note:	stronger bearing
	Center distance [mm]:	69
<b>8 031 47 000</b>	<b>Radial milling head universal arbor 32</b>	
	Tool drive:	DIN 5482
	Shank size [mm]:	40.00
	Shank type:	VDI
	Tool adaption:	Universal arbor 32
	Gear ratio [i]:	1,625:1
	Torque max [Nm]:	80
	Rotation max [1/min]:	4000
	Rotating direction:	opposite
	Coolant:	EXT
	Please note:	stronger bearing
	Center distance [mm]:	69
<b>8 033 45 000</b>	<b>Radial drilling and milling head ER 25</b>	
	Weight [kg]:	5.920
	Notation:	offset
	Tool drive:	DIN 5482
	Shank size [mm]:	40.00
	Shank type:	VDI
	Tool adaption:	ER 25
	Gear ratio [i]:	1:1
	Torque max [Nm]:	25
	Rotation max [1/min]:	6000
	Rotating direction:	same
	Coolant:	EXT
	Center distance [mm]:	85
<b>8 033 45 001</b>	<b>Radial drilling and milling head C 16</b>	
	Notation:	offset
	Tool drive:	DIN 5482
	Shank size [mm]:	40.00
	Shank type:	VDI
	Tool adaption:	DIN 6388 - C 16
	Gear ratio [i]:	1:1
	Torque max [Nm]:	50
	Rotation max [1/min]:	6000
	Rotating direction:	same
	Coolant:	EXT

Part-#	Name	
<b>8 033 45 007</b>	<b>Radial drilling and milling head Weldon 16</b>	
	Notation:	offset
	Version:	right
	Tool drive:	DIN 5482
	Shank size [mm]:	40.00
	Shank type:	VDI
	Tool adaption:	Weldon (DIN 1835 b) 16
	Gear ratio [i]:	1:1
	Torque max [Nm]:	50
	Rotation max [1/min]:	6000
	Rotating direction:	same
	Coolant:	EXT
	Please note:	stronger bearing
	Center distance [mm]:	100
<b>8 033 46 004</b>	<b>Radial drilling and milling head C 4</b>	
	Notation:	offset
	Version:	right
	Tool drive:	DIN 5482
	Shank size [mm]:	40.00
	Shank type:	VDI
	Tool adaption:	heimatec Capto(TM) C 4
	Gear ratio [i]:	1:1
	Torque max [Nm]:	50
	Rotation max [1/min]:	4000
	Rotating direction:	same
	Coolant:	EXT
	Center distance [mm]:	94
	Offset [mm]:	66,5
<b>8 033 46 009</b>	<b>Radial drilling and milling head ER 32</b>	
	Weight [kg]:	7.520
	Notation:	offset
	Tool drive:	DIN 5482
	Shank size [mm]:	40.00
	Shank type:	VDI
	Tool adaption:	ER 32
	Gear ratio [i]:	1,625:1
	Torque max [Nm]:	63
	Rotation max [1/min]:	4000
	Rotating direction:	same
	Coolant:	EXT
	Center distance [mm]:	100
<b>8 033 46 027</b>	<b>Radial drilling and milling head ER 32 IC</b>	
	Notation:	offset
	Version:	right
	Tool drive:	DIN 5482
	Shank size [mm]:	40.00
	Shank type:	VDI
	Tool adaption:	ER 32
	Gear ratio [i]:	1:1
	Torque max [Nm]:	50
	Rotation max [1/min]:	6000
	Rotating direction:	same
	Coolant:	IC/Ext
	Pressure max [bar]:	140
	Center distance [mm]:	100

Part-#	Name	
<b>8 033 46 029</b>	<b>Radial drilling and milling head C 4 IC</b>	
	Weight [kg]:	10.180
	Notation:	offset
	Version:	right
	Tool drive:	DIN 5482
	Shank size [mm]:	40.00
	Shank type:	VDI
	Tool adaption:	heimatec Capto(TM) C 4
	Gear ratio [i]:	1:1
	Torque max [Nm]:	50
	Rotation max [1/min]:	4000
	Rotating direction:	same
	Coolant:	IC/Ext
	Pressure max [bar]:	25
<b>8 033 46 037</b>	<b>Radial drilling and milling head ER 32</b>	
	Weight [kg]:	8.680
	Tool drive:	DIN 5482
	Shank size [mm]:	40.00
	Shank type:	VDI
	Tool adaption:	ER 32
	Gear ratio [i]:	1:2
	Torque max [Nm]:	25
	Rotation max [1/min]:	12000
	Rotating direction:	same
	Coolant:	EXT
	Please note:	stronger bearing
<b>8 033 46 038</b>	<b>Radial drilling and milling head Weldon 20 IC</b>	
	Notation:	offset
	Tool drive:	DIN 5482
	Shank size [mm]:	40.00
	Shank type:	VDI
	Tool adaption:	Weldon (DIN 1835 b) 20
	Gear ratio [i]:	1,625:1
	Torque max [Nm]:	63
	Rotation max [1/min]:	3000
	Rotating direction:	same
	Coolant:	IC/Ext
	Pressure max [bar]:	25
	Please note:	stronger bearing
	Center distance [mm]:	100
<b>8 033 46 112</b>	<b>Radial drilling and milling head ER 32 AX UT</b>	
	Weight [kg]:	7.480
	Notation:	offset
	Version:	right
	Tool drive:	DIN 5482
	Shank size [mm]:	40.00
	Shank type:	VDI
	Tool adaption:	ER 32 A - u-tec
	Gear ratio [i]:	1:1
	Torque max [Nm]:	50
	Rotation max [1/min]:	6000
	Rotating direction:	same
	Coolant:	EXT
	Center distance [mm]:	100

Part-#	Name	
<b>8 033 46 135</b>	<b>Radial drilling and milling head ER 32 AX UT IC</b>	
	Weight [kg]:	7.920
	Notation:	offset
	Version:	right
	Tool drive:	DIN 5482
	Shank size [mm]:	40.00
	Shank type:	VDI
	Tool adaption:	ER 32 A - u-tec
	Gear ratio [i]:	1:1
	Torque max [Nm]:	50
	Rotation max [1/min]:	6000
	Rotating direction:	same
	Coolant:	IC/Ext
	Pressure max [bar]:	140
	Center distance [mm]:	100
<b>8 033 46 192</b>	<b>Radial drilling and milling head ER 32 AX UT</b>	
	Weight [kg]:	7.430
	Notation:	offset
	Version:	right
	Tool drive:	DIN 5482
	Shank size [mm]:	40.00
	Shank type:	VDI
	Tool adaption:	ER 32 A - u-tec
	Gear ratio [i]:	2:1
	Torque max [Nm]:	63
	Rotation max [1/min]:	3000
	Rotating direction:	same
	Coolant:	EXT
	Center distance [mm]:	100
<b>8 033 47 005</b>	<b>Radial drilling and milling head HT 5</b>	
	Weight [kg]:	7.480
	Notation:	offset
	Version:	right
	Tool drive:	DIN 5482
	Shank size [mm]:	40.00
	Shank type:	VDI
	Tool adaption:	HT 5
	Gear ratio [i]:	1:1
	Torque max [Nm]:	50
	Rotation max [1/min]:	6000
	Rotating direction:	same
	Coolant:	EXT
	Center distance [mm]:	100
<b>8 033 47 007</b>	<b>Radial drilling and milling head HT 5 IC</b>	
	Weight [kg]:	8.670
	Notation:	offset
	Tool drive:	DIN 5482
	Shank size [mm]:	40.00
	Shank type:	VDI
	Tool adaption:	HT 5
	Gear ratio [i]:	1:1
	Torque max [Nm]:	50
	Rotation max [1/min]:	6000
	Rotating direction:	same
	Coolant:	IC/Ext

Part-#	Name	
	Pressure max [bar]:	140
	Please note:	stronger bearing
	Center distance [mm]:	100
<b>8 033 47 008</b>	<b>Radial drilling and milling head ER 40</b>	
	Weight [kg]:	7.600
	Notation:	offset
	Tool drive:	DIN 5482
	Shank size [mm]:	40.00
	Shank type:	VDI
	Tool adaption:	ER 40
	Gear ratio [i]:	1:1
	Torque max [Nm]:	50
	Rotation max [1/min]:	6000
	Rotating direction:	same
	Coolant:	EXT
	Center distance [mm]:	100
<b>8 033 47 012</b>	<b>Radial drilling and milling head HT 5 IC</b>	
	Weight [kg]:	8.100
	Notation:	offset
	Version:	right
	Tool drive:	DIN 5482
	Shank size [mm]:	40.00
	Shank type:	VDI
	Tool adaption:	HT 5
	Gear ratio [i]:	1:1
	Torque max [Nm]:	50
	Rotation max [1/min]:	6000
	Rotating direction:	same
	Coolant:	IC/Ext
	Pressure max [bar]:	140
	Center distance [mm]:	100
<b>8 033 47 018</b>	<b>Radial drilling and milling head C 25</b>	
	Weight [kg]:	7.700
	Notation:	offset
	Version:	right
	Tool drive:	DIN 5482
	Shank size [mm]:	40.00
	Shank type:	VDI
	Tool adaption:	DIN 6388 - C 25
	Gear ratio [i]:	1:1
	Torque max [Nm]:	50
	Rotation max [1/min]:	6000
	Rotating direction:	same
	Coolant:	EXT
	Center distance [mm]:	100
<b>8 033 47 069</b>	<b>Radial drilling and milling head HT 5 IC</b>	
	Notation:	offset
	Version:	right
	Tool drive:	DIN 5482
	Shank size [mm]:	40.00
	Shank type:	VDI
	Tool adaption:	HT 5
	Gear ratio [i]:	1:2
	Torque max [Nm]:	16

Part-#	Name	
	Rotation max [1/min]:	12000
	Rotating direction:	opposite
	Coolant:	IC/Ext
	Pressure max [bar]:	140
	Please note:	stronger bearing
	Center distance [mm]:	100
<b>8 033 48 002</b>	<b>Radial drilling and milling head HT 6</b>	
	Notation:	offset
	Version:	right
	Tool drive:	DIN 5482
	Shank size [mm]:	40.00
	Shank type:	VDI
	Tool adaption:	HT 6
	Gear ratio [i]:	1:1
	Torque max [Nm]:	50
	Rotation max [1/min]:	6000
	Rotating direction:	same
	Coolant:	EXT
	Please note:	stronger bearing
	Center distance [mm]:	100
<b>8 037 49 019</b>	<b>Radial disk mill head shaft diameter 16-32</b>	
	Version:	right
	Tool drive:	DIN 5482
	Shank size [mm]:	40.00
	Shank type:	VDI
	Tool adaption:	Interchangeable arbor
	Gear ratio [i]:	3:1
	Torque max [Nm]:	80
	Rotation max [1/min]:	2000
	Rotating direction:	opposite
	Coolant:	EXT
	Please note:	Price without arbor, strong version
	Center distance [mm]:	113
	Offset [mm]:	58
<b>8 039 42 002</b>	<b>Radial drilling and milling head Weldon 6</b>	
	Weight [kg]:	6.220
	Version:	left
	Tool drive:	DIN 5482
	Shank size [mm]:	40.00
	Shank type:	VDI
	Tool adaption:	Weldon (DIN 1835 b) 6 special
	Gear ratio [i]:	1:1
	Torque max [Nm]:	10
	Rotation max [1/min]:	6000
	Rotating direction:	opposite
	Coolant:	EXT
	Please note:	Special version
	Center distance [mm]:	185

Part-#	Name	
<b>8 039 42 003</b>	<b>Radial drilling and milling head Weldon 6</b>	
	Version:	right
	Tool drive:	DIN 5482
	Shank size [mm]:	40.00
	Shank type:	VDI
	Tool adaption:	Weldon (DIN 1835 b) 6 special
	Gear ratio [i]:	1:1
	Torque max [Nm]:	10
	Rotation max [1/min]:	6000
	Rotating direction:	opposite
	Coolant:	EXT
	Please note:	Special version
	Center distance [mm]:	185
<b>8 039 43 000</b>	<b>Radial drilling and milling head Weldon 8</b>	
	Weight [kg]:	6.260
	Version:	left
	Tool drive:	DIN 5482
	Shank size [mm]:	40.00
	Shank type:	VDI
	Tool adaption:	Weldon (DIN 1835 b) 8 special
	Gear ratio [i]:	1:1
	Torque max [Nm]:	10
	Rotation max [1/min]:	6000
	Rotating direction:	opposite
	Coolant:	EXT
	Please note:	Special version
	Center distance [mm]:	185
<b>8 039 43 001</b>	<b>Radial drilling and milling head Weldon 8</b>	
	Version:	right
	Tool drive:	DIN 5482
	Shank size [mm]:	40.00
	Shank type:	VDI
	Tool adaption:	Weldon (DIN 1835 b) 8 special
	Gear ratio [i]:	1:1
	Torque max [Nm]:	10
	Rotation max [1/min]:	6000
	Rotating direction:	opposite
	Coolant:	EXT
	Please note:	Special version
	Center distance [mm]:	209
<b>8 039 46 044</b>	<b>Radial drilling and milling head ER 32 AX UT</b>	
	Weight [kg]:	8.490
	Notation:	offset in Y-axis
	Version:	Special
	Tool drive:	DIN 5482
	Shank size [mm]:	40.00
	Shank type:	VDI
	Tool adaption:	ER 32 A - u-tec
	Gear ratio [i]:	1:1
	Torque max [Nm]:	50
	Rotation max [1/min]:	6000
	Rotating direction:	same
	Coolant:	EXT
	Center distance [mm]:	115

Part-#	Name	
<b>8 039 47 021</b>	<b>Radial drilling and milling head HT 5 IC</b>	
	Notation:	10° angle
	Tool drive:	DIN 5482
	Shank size [mm]:	40.00
	Shank type:	VDI
	Tool adaption:	HT 5
	Gear ratio [i]:	1:1
	Torque max [Nm]:	50
	Rotation max [1/min]:	6000
	Rotating direction:	opposite
	Coolant:	IC/Ext
	Pressure max [bar]:	140
<b>8 039 47 022</b>	<b>Radial drilling and milling head HT 5 IC</b>	
	Notation:	15° angle
	Tool drive:	DIN 5482
	Shank size [mm]:	40.00
	Shank type:	VDI
	Tool adaption:	HT 5
	Gear ratio [i]:	1:1
	Torque max [Nm]:	50
	Rotation max [1/min]:	6000
	Rotating direction:	opposite
	Coolant:	IC/Ext
	Pressure max [bar]:	140
<b>8 040 45 029</b>	<b>Universal head ±110° adjustable ER 25</b>	
	Weight [kg]:	6.420
	Version:	Special
	Tool drive:	DIN 5482
	Shank size [mm]:	40.00
	Shank type:	VDI
	Tool adaption:	ER 25
	Gear ratio [i]:	1:1
	Torque max [Nm]:	25
	Rotation max [1/min]:	6000
	Rotating direction:	same
	Coolant:	EXT
	Please note:	Note length
	Center distance [mm]:	104
<b>8 040 45 064</b>	<b>Universal head ± 90° adjustable ER 25 AX UT</b>	
	Weight [kg]:	5.110
	Version:	right
	Tool drive:	DIN 5482
	Shank size [mm]:	40.00
	Shank type:	VDI
	Tool adaption:	ER 25 A - u-tec
	Gear ratio [i]:	1:1
	Torque max [Nm]:	25
	Rotation max [1/min]:	6000
	Rotating direction:	same
	Coolant:	EXT
	Please note:	stronger bearing
	Center distance [mm]:	87

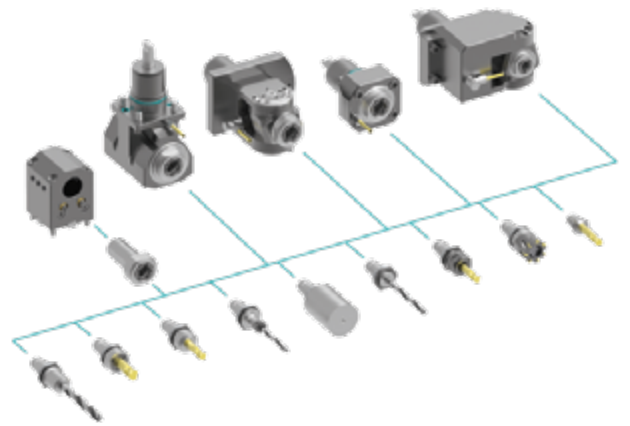
## heimatec.u-tec®

heimatec.com

Products / Tool change systems /  
u-tec® Tool-changing system



versions see catalog



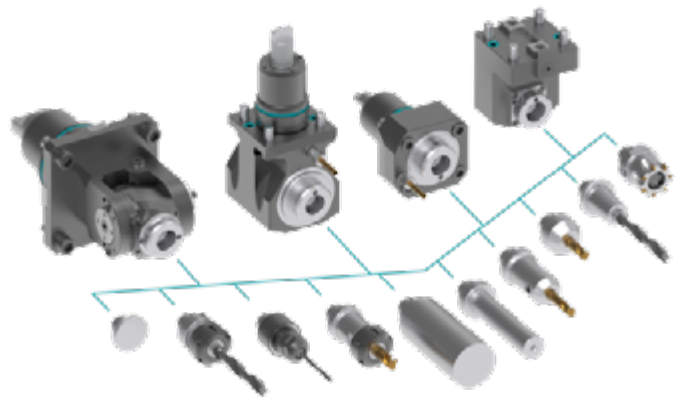
## heimatec.easy-quick

heimatec.com

Products / Tool change systems /  
easy-quick HT quick-changing system



versions see catalog



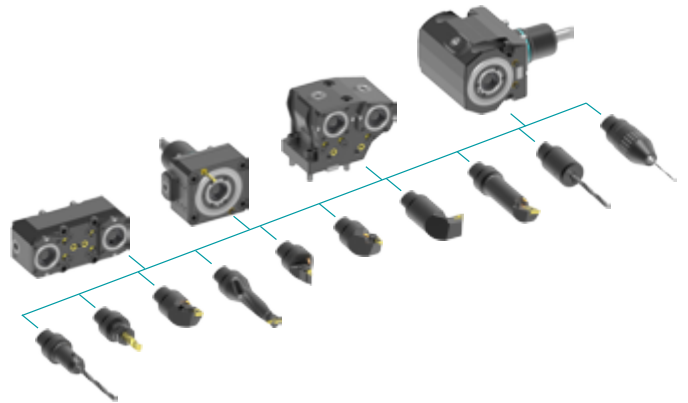
## heimatec.Capto™

heimatec.com

Products / Tool change systems /  
heimatec.Capto™ quick-changing system



versions see catalog



## heimatec.accessories

heimatec.com

Products / Accessories



versions see catalog





● heimatec overseas branches

○ global representations of heimatec

**heimatec**<sup>®</sup>

**heimatec GmbH**  
Präzisionswerkzeuge  
Carl-Benz-Str. 4  
77871 Renchen  
Germany

T +49 7843 9466 0  
[www.heimatec.com](http://www.heimatec.com)  
[info@heimatec.com](mailto:info@heimatec.com)

Please find the contact details of our worldwide trading partners on our website:  
<https://heimatec.com/business-partners>