

Okuma
LT 25 M



High-tech from heimatec - heimatec - Tools and systems for productive turning and milling

heimatec belongs to the international technology and quality leaders for precision tools and specializes in the development and production of high-precision static and live tools for all CNC lathes, CNC turn-/mill machines and CNC machining centers.

The range of products* spans from static BMT and VDI tool holders, live tools up to highly complex customer-specific individual solutions. heimatec, headquartered in Renchen, has a own subsidiary in Asia and India and numerous representatives as well as trading partners all over the world.

*OUR PRODCUTS

Static tool holders

Live tool units

Precision tools

Tools for turning and machining centres

Tools for swiss type lathes

Tool changing and uick-change systems

Tool systems for gear production

Digital tool management

This catalogue, including all its parts, is protected by copyright. Any use outside the restricted limitations of the Copyright Act without the consent of heimatec is inadmissible and liable to prosecution. This applies in particular to duplication, translation, microfilming and storage and processing in electronic systems.

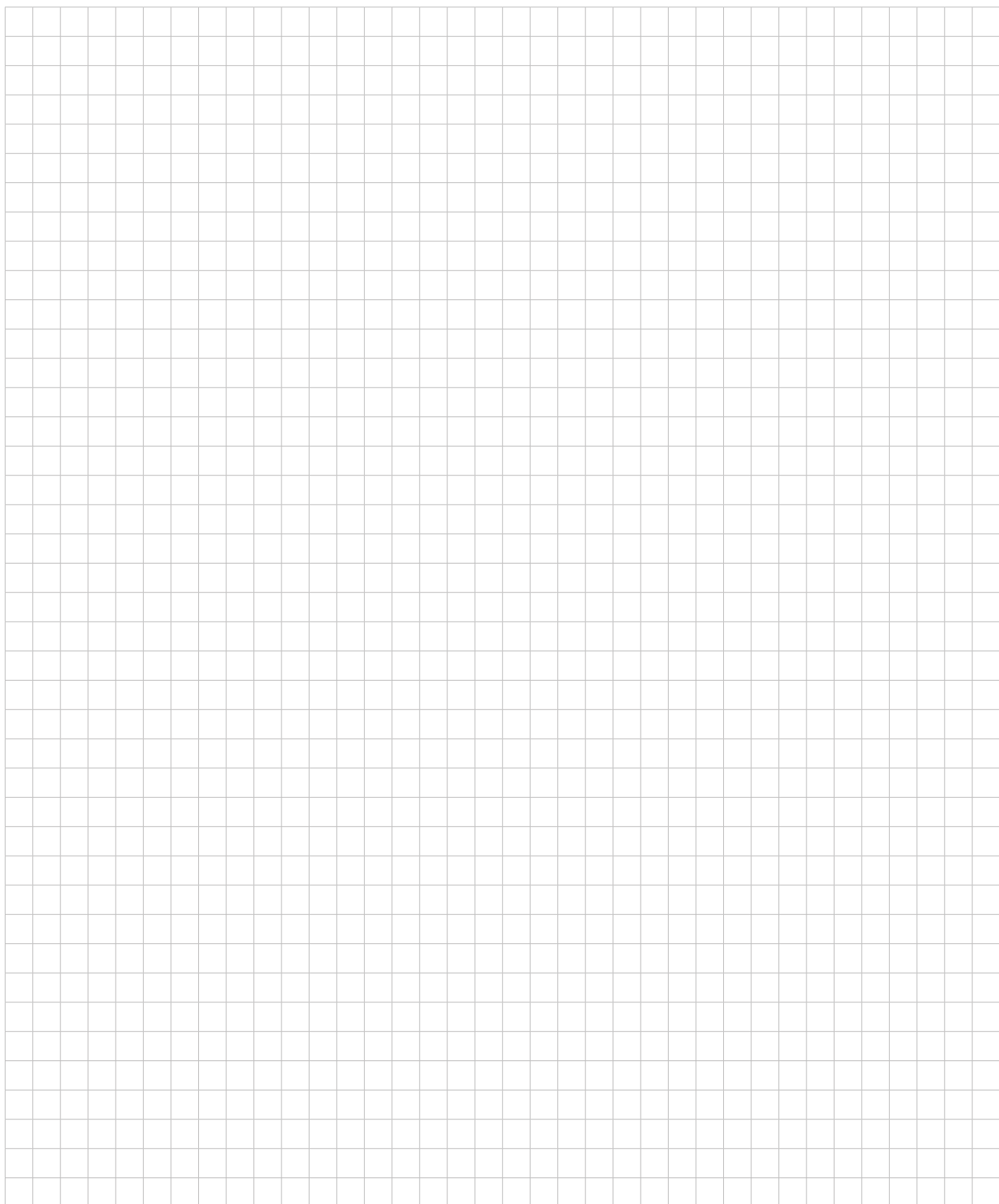
heimatec GmbH reserves the right to make technical changes at any time without giving prior notice. This applies in particular to adjustments at any time to meet new or changed international standards, or in case of further developments of our products or manufacturing processes.

The current version of our General Terms and Conditions can be found on our website.

Part-#	Name	
8 010 46 037	Axial drilling and milling head ER 32	
	Tool drive:	Coupling
	Shank size [mm]:	40.00
	Shank type:	VDI
	Tool adaption:	ER 32
	Gear ratio [i]:	1:1
	Torque max [Nm]:	50
	Rotation max [1/min]:	4000
	Rotating direction:	same
	Coolant:	EXT
8 010 46 042	Axial drilling and milling head ER 32 AS	
	Tool drive:	Coupling
	Shank size [mm]:	40.00
	Shank type:	VDI
	Tool adaption:	ER 32 A
	Gear ratio [i]:	1:1
	Torque max [Nm]:	50
	Rotation max [1/min]:	4000
	Rotating direction:	same
	Coolant:	EXT
8 010 47 016	Axial drilling and milling head ER 40 CL	
	Tool drive:	Coupling
	Shank size [mm]:	40.00
	Shank type:	VDI
	Tool adaption:	ER 40 CL
	Gear ratio [i]:	1:1
	Torque max [Nm]:	50
	Rotation max [1/min]:	4000
	Rotating direction:	same
	Coolant:	EXT
8 010 47 037	Axial drilling and milling head ER 40 CL	
	Weight [kg]:	3.180
	Version:	Special
	Tool drive:	Coupling
	Shank size [mm]:	40.00
	Shank type:	VDI
	Tool adaption:	ER 40 CL
	Gear ratio [i]:	1:1
	Torque max [Nm]:	50
	Rotation max [1/min]:	6000
	Rotating direction:	same
	Coolant:	EXT
	Please note:	short version
8 011 45 017	Axial milling head universal arbor 22	
	Weight [kg]:	4.100
	Tool drive:	Coupling
	Shank size [mm]:	40.00
	Shank type:	VDI
	Tool adaption:	Universal arbor 22
	Gear ratio [i]:	1:1
	Torque max [Nm]:	50
	Rotation max [1/min]:	4000
	Rotating direction:	same
	Coolant:	EXT

Part-#	Name	
	Please note:	stronger bearing
8 030 46 118	Radial drilling and milling head ER 32 AS IC	
	Weight [kg]:	7.520
	Version:	left
	Tool drive:	Coupling
	Shank size [mm]:	40.00
	Shank type:	VDI
	Tool adaption:	ER 32 A
	Gear ratio [i]:	1:1
	Torque max [Nm]:	50
	Rotation max [1/min]:	6000
	Rotating direction:	same
	Coolant:	IC/Ext
	Pressure max [bar]:	25
	Center distance [mm]:	95
8 030 46 166	Radial drilling and milling head ER 32 IC	
	Weight [kg]:	7.640
	Version:	left
	Tool drive:	Coupling
	Shank size [mm]:	40.00
	Shank type:	VDI
	Tool adaption:	ER 32
	Gear ratio [i]:	1:1
	Torque max [Nm]:	50
	Rotation max [1/min]:	6000
	Rotating direction:	same
	Coolant:	IC/Ext
	Pressure max [bar]:	25
	Please note:	Special version with center distance 90 mm
	Center distance [mm]:	90
8 030 46 167	Radial drilling and milling head ER 32 IC	
	Version:	left
	Tool drive:	Coupling
	Shank size [mm]:	40.00
	Shank type:	VDI
	Tool adaption:	ER 32
	Gear ratio [i]:	1:2
	Torque max [Nm]:	16
	Rotation max [1/min]:	10000
	Rotating direction:	opposite
	Coolant:	IC/Ext
	Pressure max [bar]:	25
	Please note:	with reverse rotation
	Center distance [mm]:	95
8 030 47 005	Radial drilling and milling head ER 40	
	Version:	left
	Tool drive:	Coupling
	Shank size [mm]:	40.00
	Shank type:	VDI
	Tool adaption:	ER 40
	Gear ratio [i]:	1:1
	Torque max [Nm]:	50
	Rotation max [1/min]:	6000
	Rotating direction:	opposite

Part-#	Name	
	Coolant:	EXT
	Center distance [mm]:	95
8 030 47 006	Radial drilling and milling head ER 40	
	Tool drive:	Coupling
	Shank size [mm]:	40.00
	Shank type:	VDI
	Tool adaption:	ER 40
	Gear ratio [i]:	1:1
	Torque max [Nm]:	50
	Rotation max [1/min]:	6000
	Coolant:	EXT
	Center distance [mm]:	95



heimatec.u-tec®

heimatec.com

Products / Tool change systems /
u-tec® Tool-changing system



versions see catalog



heimatec.easy-quick

heimatec.com

Products / Tool change systems /
easy-quick HT quick-changing system



versions see catalog



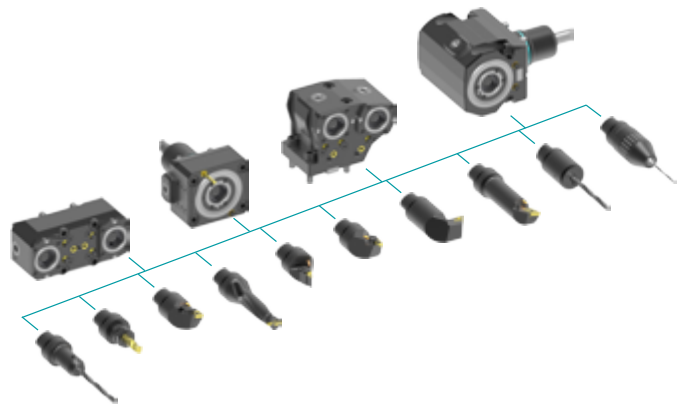
heimatec.Capto™

heimatec.com

Products / Tool change systems /
heimatec.Capto™ quick-changing system



versions see catalog



heimatec.accessories

heimatec.com

Products / Accessories



versions see catalog





● heimatec overseas branches

○ global representations of heimatec

heimatec[®]

heimatec GmbH
Präzisionswerkzeuge
Carl-Benz-Str. 4
77871 Renchen
Germany

T +49 7843 9466 0
www.heimatec.com
info@heimatec.com

Please find the contact details of our worldwide trading partners on our website:
<https://heimatec.com/business-partners>