

Gildemeister
CTX alpha 300
Scheibenrevolver



High-tech from heimatec - heimatec - Tools and systems for productive turning and milling

heimatec belongs to the international technology and quality leaders for precision tools and specializes in the development and production of high-precision static and live tools for all CNC lathes, CNC turn-/mill machines and CNC machining centers.

The range of products* spans from static BMT and VDI tool holders, live tools up to highly complex customer-specific individual solutions. heimatec, headquartered in Renchen, has a own subsidiary in Asia and India and numerous representatives as well as trading partners all over the world.

*OUR PRODCUTS

Static tool holders

Live tool units

Precision tools

Tools for turning and machining centres

Tools for swiss type lathes

Tool changing and uick-change systems

Tool systems for gear production

Digital tool management

This catalogue, including all its parts, is protected by copyright. Any use outside the restricted limitations of the Copyright Act without the consent of heimatec is inadmissible and liable to prosecution. This applies in particular to duplication, translation, microfilming and storage and processing in electronic systems.

heimatec GmbH reserves the right to make technical changes at any time without giving prior notice. This applies in particular to adjustments at any time to meet new or changed international standards, or in case of further developments of our products or manufacturing processes.

The current version of our General Terms and Conditions can be found on our website.

Gildemeister
 CTX alpha 300 Scheibenrevolver

Part-#	Name
--------	------

8 010 25 090

Axial drilling and milling head ER 25



Weight [kg]: 1.580
 Tool drive: DIN 5480
 Shank size [mm]: 30.00
 Shank type: VDI
 Tool adaption: ER 25
 Gear ratio [i]: 1:1
 Torque max [Nm]: 25
 Rotation max [1/min]: 6000
 Rotating direction: same
 Coolant: EXT
 Please note: round housing ø 68

8 010 25 091

Axial drilling and milling head ER 25 IC



Weight [kg]: 1.830
 Tool drive: DIN 5480
 Shank size [mm]: 30.00
 Shank type: VDI
 Tool adaption: ER 25
 Gear ratio [i]: 1:1
 Torque max [Nm]: 25
 Rotation max [1/min]: 6000
 Rotating direction: same
 Coolant: IC/Ext
 Pressure max [bar]: 25
 Please note: round housing ø 68

8 010 25 118

Axial drilling and milling head ER 25 AX UT



Weight [kg]: 1.780
 Tool drive: DIN 5480
 Shank size [mm]: 30.00
 Shank type: VDI
 Tool adaption: ER 25 A - u-tec
 Gear ratio [i]: 1:1
 Torque max [Nm]: 25
 Rotation max [1/min]: 12000
 Rotating direction: same
 Coolant: EXT
 Please note: stronger bearing

8 010 25 119

Axial drilling and milling head ER 25 AX UT IC



Weight [kg]: 1.780
 Tool drive: DIN 5480
 Shank size [mm]: 30.00
 Shank type: VDI
 Tool adaption: ER 25 A - u-tec
 Gear ratio [i]: 1:1
 Torque max [Nm]: 25
 Rotation max [1/min]: 6000
 Rotating direction: same
 Coolant: IC/Ext
 Pressure max [bar]: 25
 Please note: round housing ø 68

Part-#	Name	
8 030 25 021	Radial drilling and milling head ER 25	
	Weight [kg]:	3.970
	Version:	right
	Tool drive:	DIN 5480
	Shank size [mm]:	30.00
	Shank type:	VDI
	Tool adaption:	ER 25
	Gear ratio [i]:	1:1
	Torque max [Nm]:	25
	Rotation max [1/min]:	6000
	Rotating direction:	opposite
	Coolant:	EXT
	Center distance [mm]:	100
8 030 25 050	Radial drilling and milling head ER 25	
	Weight [kg]:	2.660
	Version:	right
	Tool drive:	DIN 5480
	Shank size [mm]:	30.00
	Shank type:	VDI
	Tool adaption:	ER 25
	Gear ratio [i]:	1:1
	Torque max [Nm]:	16
	Rotation max [1/min]:	6000
	Rotating direction:	opposite
	Coolant:	EXT
	Center distance [mm]:	55
8 030 25 113	Radial drilling and milling head ER 25	
	Weight [kg]:	4.440
	Version:	right
	Tool drive:	DIN 5480
	Shank size [mm]:	30.00
	Shank type:	VDI
	Tool adaption:	ER 25
	Gear ratio [i]:	1:2
	Torque max [Nm]:	16
	Rotation max [1/min]:	12000
	Rotating direction:	opposite
	Coolant:	EXT
	Center distance [mm]:	85
8 030 25 242	Radial drilling and milling head ER 25 AX UT	
	Weight [kg]:	3.760
	Version:	right
	Tool drive:	DIN 5480
	Shank size [mm]:	30.00
	Shank type:	VDI
	Tool adaption:	ER 25 A - u-tec
	Gear ratio [i]:	1:1
	Torque max [Nm]:	25
	Rotation max [1/min]:	6000
	Rotating direction:	opposite
	Coolant:	EXT
	Please note:	stronger bearing
	Center distance [mm]:	85

Part-#	Name	
8 030 25 267	Radial drilling and milling head ER 25 AX UT IC	
	Weight [kg]:	4.150
	Version:	right
	Tool drive:	DIN 5480
	Shank size [mm]:	30.00
	Shank type:	VDI
	Tool adaption:	ER 25 A - u-tec
	Gear ratio [i]:	1:1
	Torque max [Nm]:	25
	Rotation max [1/min]:	6000
	Rotating direction:	opposite
	Coolant:	IC/Ext
	Pressure max [bar]:	140
	Please note:	stronger bearing
	Center distance [mm]:	85
8 030 25 277	Radial drilling and milling head ER 25 IC	
	Weight [kg]:	3.310
	Version:	right
	Tool drive:	DIN 5480
	Shank size [mm]:	30.00
	Shank type:	VDI
	Tool adaption:	ER 25
	Gear ratio [i]:	1:1
	Torque max [Nm]:	25
	Rotation max [1/min]:	6000
	Rotating direction:	opposite
	Coolant:	IC/Ext
	Pressure max [bar]:	140
	Center distance [mm]:	64
8 030 25 280	Radial drilling and milling head ER 25 AX UT	
	Weight [kg]:	3.200
	Version:	right
	Tool drive:	DIN 5480
	Shank size [mm]:	30.00
	Shank type:	VDI
	Tool adaption:	ER 25 A - u-tec
	Gear ratio [i]:	1:1
	Torque max [Nm]:	25
	Rotation max [1/min]:	6000
	Rotating direction:	opposite
	Coolant:	EXT
	Please note:	stronger bearing
	Center distance [mm]:	64
8 031 24 046	Radial milling head universal arbor 16	
	Weight [kg]:	3.220
	Version:	right
	Tool drive:	DIN 5480
	Shank size [mm]:	30.00
	Shank type:	VDI
	Tool adaption:	Universal arbor 16
	Gear ratio [i]:	1:1
	Torque max [Nm]:	25
	Rotation max [1/min]:	6000
	Rotating direction:	opposite
	Coolant:	EXT

Part-#	Name	
	Please note:	Combi bearing
	Center distance [mm]:	64
8 033 25 032	Radial drilling and milling head ER 25 IC	
	Weight [kg]:	4.020
	Version:	right
	Tool drive:	DIN 5480
	Shank size [mm]:	30.00
	Shank type:	VDI
	Tool adaption:	ER 25
	Gear ratio [i]:	1:1
	Torque max [Nm]:	25
	Rotation max [1/min]:	6000
	Rotating direction:	same
	Coolant:	IC/Ext
	Pressure max [bar]:	140
	Center distance [mm]:	85
8 033 25 069	Radial drilling and milling head ER 25	
	Notation:	offset
	Version:	right
	Tool drive:	DIN 5480
	Shank size [mm]:	30.00
	Shank type:	VDI
	Tool adaption:	ER 25
	Gear ratio [i]:	2:1
	Torque max [Nm]:	32
	Rotation max [1/min]:	3000
	Rotating direction:	same
	Coolant:	EXT
	Please note:	stronger bearing
	Center distance [mm]:	97
	Offset [mm]:	34,5
8 036 25 041	Radial drilling and milling head ER 25 AX UT	
	Weight [kg]:	4.220
	Notation:	180° reversible
	Version:	doubletoothed
	Tool drive:	DIN 5480
	Shank size [mm]:	30.00
	Shank type:	VDI
	Tool adaption:	ER 25 A - u-tec
	Gear ratio [i]:	1:1
	Torque max [Nm]:	25
	Rotation max [1/min]:	6000
	Rotating direction:	opposite
	Coolant:	EXT
	Please note:	stronger bearing
	Center distance [mm]:	100
8 036 25 042	Radial drilling and milling head ER 25 AX UT IC	
	Weight [kg]:	4.640
	Notation:	180° reversible
	Version:	doubletoothed
	Tool drive:	DIN 5480
	Shank size [mm]:	30.00
	Shank type:	VDI
	Tool adaption:	ER 25 A - u-tec

Gildemeister
 CTX alpha 300 Scheibenrevolver

Part-#	Name	
	Gear ratio [i]:	1:1
	Torque max [Nm]:	25
	Rotation max [1/min]:	6000
	Rotating direction:	opposite
	Coolant:	IC/Ext
	Pressure max [bar]:	140
	Please note:	stronger bearing
	Center distance [mm]:	100
8 040 24 012	Universal head ± 90° adjustable ER 20	
	Weight [kg]:	2.470
	Version:	right
	Tool drive:	DIN 5480
	Shank size [mm]:	30.00
	Shank type:	VDI
	Tool adaption:	ER 20
	Gear ratio [i]:	1:1
	Torque max [Nm]:	10
	Rotation max [1/min]:	6000
	Rotating direction:	same
	Coolant:	EXT
	Please note:	Fixation 180° reversible
	Center distance [mm]:	64
8 040 24 032	Universal head ± 90° adjustable HT 2	
	Weight [kg]:	3.080
	Version:	doubletoothed
	Tool drive:	DIN 5480
	Shank size [mm]:	30.00
	Shank type:	VDI
	Tool adaption:	HT 2
	Gear ratio [i]:	1:1
	Torque max [Nm]:	10
	Rotation max [1/min]:	5000
	Rotating direction:	same
	Coolant:	EXT
	Please note:	Note swivel range
	Center distance [mm]:	97
8 040 24 035	Universal head ± 90° adjustable ER 16	
	Weight [kg]:	2.320
	Version:	right
	Tool drive:	DIN 5480
	Shank size [mm]:	30.00
	Shank type:	VDI
	Tool adaption:	ER 16
	Gear ratio [i]:	1:1
	Torque max [Nm]:	10
	Rotation max [1/min]:	6000
	Rotating direction:	same
	Coolant:	EXT
	Please note:	Fixation 180° reversible
	Center distance [mm]:	64

Part-#	Name
8 040 24 075	Universal head $\pm 90^\circ$ adjustable ER 16 AX UT IC
	Weight [kg]: 4.450
	Version: left
	Tool drive: DIN 5480
	Shank size [mm]: 30.00
	Shank type: VDI
	Tool adaption: ER 16 A - u-tec
	Gear ratio [i]: 1:1
	Torque max [Nm]: 25
	Rotation max [1/min]: 6000
	Rotating direction: opposite
	Coolant: IC/Ext
	Pressure max [bar]: 140
	Center distance [mm]: 88
8 040 25 022	Universal head $\pm 90^\circ$ adjustable ER 25 AX UT IC
	Weight [kg]: 4.650
	Version: left
	Tool drive: DIN 5480
	Shank size [mm]: 30.00
	Shank type: VDI
	Tool adaption: ER 25 A - u-tec
	Gear ratio [i]: 1:1
	Torque max [Nm]: 25
	Rotation max [1/min]: 6000
	Rotating direction: opposite
	Coolant: IC/Ext
	Pressure max [bar]: 140
	Please note: stronger bearing
	Center distance [mm]: 88
8 040 25 032	Universal head $\pm 90^\circ$ adjustable ER 25 AX UT
	Weight [kg]: 4.660
	Version: right
	Tool drive: DIN 5480
	Shank size [mm]: 30.00
	Shank type: VDI
	Tool adaption: ER 25 A - u-tec
	Gear ratio [i]: 1:1
	Torque max [Nm]: 25
	Rotation max [1/min]: 6000
	Rotating direction: opposite
	Coolant: EXT
	Please note: stronger bearing
	Center distance [mm]: 88
8 040 25 038	Universal head $\pm 90^\circ$ adjustable ER 25 AX UT
	Weight [kg]: 4.890
	Version: right
	Tool drive: DIN 5480
	Shank size [mm]: 30.00
	Shank type: VDI
	Tool adaption: ER 25 A - u-tec
	Gear ratio [i]: 1:1
	Torque max [Nm]: 25
	Rotation max [1/min]: 6000
	Rotating direction: opposite
	Coolant: EXT

Gildemeister

CTX alpha 300 Scheibenrevolver

Part-#	Name	
	Please note:	stronger bearing
	Center distance [mm]:	88
8 040 25 040	Universal head ± 90° adjustable ER 25 AX UT IC	
	Weight [kg]:	3.500
	Version:	right
	Tool drive:	DIN 5480
	Shank size [mm]:	30.00
	Shank type:	VDI
	Tool adaption:	ER 25 A - u-tec
	Gear ratio [i]:	1:1
	Torque max [Nm]:	25
	Rotation max [1/min]:	6000
	Rotating direction:	opposite
	Coolant:	IC/Ext
	Pressure max [bar]:	140
	Please note:	stronger bearing
	Center distance [mm]:	88
8 200 20 000	Plug Z2-30 K	
	Weight [kg]:	0.060
	Shank size [mm]:	30.00
	Shank type:	VDI
8 200 20 002	Tool holder A2-30x100	
	Weight [kg]:	3.120
	Shank size [mm]:	30.00
	Shank type:	VDI
8 200 20 005	Plug Z2-30 S	
	Weight [kg]:	0.740
	Shank size [mm]:	30.00
	Shank type:	VDI
8 200 20 008	Tool holder A2-30x240	
	Weight [kg]:	7.160
	Shank size [mm]:	30.00
	Shank type:	VDI
8 200 23 000	Tool holder A1-30x 85	
	Weight [kg]:	6.900
	Shank size [mm]:	30.00
	Shank type:	VDI
8 202 23 000	Basic holder transversal set SZ 40	
	Weight [kg]:	0.890
	Shank size [mm]:	30.00
	Shank type:	VDI
	Tool adaption:	Interface SZ 40
	Coolant:	EXT
8 210 21 000	Tool holder F 30-MK 1	
	Weight [kg]:	0.960
	Shank size [mm]:	30.00
	Shank type:	VDI
	Tool adaption:	DIN 228 D - MK 1
	Coolant:	IC

Part-#	Name	
8 210 22 000	Tool holder F 30-MK 2	
	Weight [kg]:	0.880
	Shank size [mm]:	30.00
	Shank type:	VDI
	Tool adaption:	DIN 228 D - MK 2
	Coolant:	IC
8 210 22 002	Tool holder E2-30x 6	
	Shank size [mm]:	30.00
	Shank type:	VDI
	Tool adaption:	Ø 6
	Coolant:	IC/Ext
8 210 23 000	Tool holder F 30-MK 3	
	Weight [kg]:	1.340
	Shank size [mm]:	30.00
	Shank type:	VDI
	Tool adaption:	DIN 228 D - MK 3
	Coolant:	IC
8 210 23 001	Tool holder E2-30x 8	
	Shank size [mm]:	30.00
	Shank type:	VDI
	Tool adaption:	Ø 8
	Coolant:	IC/Ext
8 210 23 007	Short drill chuck VDI 30x 8	
	Weight [kg]:	0.940
	Shank size [mm]:	30.00
	Shank type:	VDI
	Coolant:	EXT
8 210 23 009	Short drill chuck VDI 30x 8 - IC	
	Weight [kg]:	1.000
	Shank size [mm]:	30.00
	Shank type:	VDI
	Coolant:	IC
8 210 24 002	Tool holder E2-30x12	
	Shank size [mm]:	30.00
	Shank type:	VDI
	Tool adaption:	Ø 12
	Coolant:	IC/Ext
8 210 24 003	Short drill chuck VDI 30x13	
	Weight [kg]:	2.100
	Shank size [mm]:	30.00
	Shank type:	VDI
	Coolant:	EXT
8 210 24 010	Tool holder E1-30x10	
	Shank size [mm]:	30.00
	Shank type:	VDI
	Tool adaption:	Ø 10
	Coolant:	IC

Gildemeister
 CTX alpha 300 Scheibenrevolver

Part-#	Name	
8 210 24 011	Tool holder E1-30x12	
	Shank size [mm]:	30.00
	Shank type:	VDI
	Tool adaption:	Ø 12
	Coolant:	IC
8 210 24 014	Short drill chuck VDI 30x13 - IC	
	Weight [kg]:	1.820
	Shank size [mm]:	30.00
	Shank type:	VDI
	Coolant:	IC
8 210 24 015	Tool holder E1-30x14	
	Shank size [mm]:	30.00
	Shank type:	VDI
	Tool adaption:	Ø 14
	Coolant:	IC
8 210 24 021	Tool holder E2-30x14	
	Shank size [mm]:	30.00
	Shank type:	VDI
	Tool adaption:	Ø 14
	Coolant:	IC/Ext
8 210 25 001	Tool holder E4-30xER 25	
	Shank size [mm]:	30.00
	Shank type:	VDI
	Tool adaption:	ER 25
	Coolant:	IC
8 210 25 002	Tool holder E2-30x16	
	Shank size [mm]:	30.00
	Shank type:	VDI
	Tool adaption:	Ø 16
	Coolant:	IC/Ext
8 210 25 004	Tool holder E1-30x16	
	Shank size [mm]:	30.00
	Shank type:	VDI
	Tool adaption:	Ø 16
	Coolant:	IC
8 210 25 009	Short drill chuck VDI 30x16	
	Weight [kg]:	2.100
	Shank size [mm]:	30.00
	Shank type:	VDI
	Coolant:	EXT
8 210 25 013	Short drill chuck VDI 30x16 - IC	
	Weight [kg]:	1.880
	Shank size [mm]:	30.00
	Shank type:	VDI
	Coolant:	IC


Part-#	Name	
8 210 25 016	Tool holder E2-30x18	
	Shank size [mm]:	30.00
	Shank type:	VDI
	Tool adaption:	Ø 18
	Coolant:	IC/Ext
8 210 25 017	Tool holder E4-30xER 25 - special	
	Weight [kg]:	0.980
	Shank size [mm]:	30.00
	Shank type:	VDI
	Tool adaption:	ER 25
	Coolant:	IC
	Please note:	Special
8 210 25 024	Tool holder ER 25 AX UT IC	
	Weight [kg]:	1.050
	Shank size [mm]:	30.00
	Shank type:	VDI
	Tool adaption:	ER 25 A - u-tec
	Coolant:	IC/Ext
8 210 26 001	Tool holder E1-30x20	
	Shank size [mm]:	30.00
	Shank type:	VDI
	Tool adaption:	Ø 20
	Coolant:	IC
8 210 26 002	Tool holder E2-30x20	
	Weight [kg]:	1.380
	Shank size [mm]:	30.00
	Shank type:	VDI
	Tool adaption:	Ø 20
	Coolant:	IC/Ext
8 210 26 005	Tool holder E4-30xER 32	
	Shank size [mm]:	30.00
	Shank type:	VDI
	Tool adaption:	ER 32
	Coolant:	IC
8 210 26 011	Tool holder HT 4 IC	
	Weight [kg]:	1.270
	Version:	right
	Shank size [mm]:	30.00
	Shank type:	VDI
	Tool adaption:	HT 4
	Coolant:	IC/Ext
8 210 27 002	Tool holder E2-30x25	
	Weight [kg]:	1.320
	Shank size [mm]:	30.00
	Shank type:	VDI
	Tool adaption:	Ø 25
	Coolant:	IC/Ext

Part-#	Name	
8 210 27 005	Tool holder E1-30x25	
	Shank size [mm]:	30.00
	Shank type:	VDI
	Tool adaption:	Ø 25
	Coolant:	IC
8 210 27 007	Tool holder E3-30x C 25	
	Shank size [mm]:	30.00
	Shank type:	VDI
	Tool adaption:	DIN 6388 - C 25
	Coolant:	IC
8 210 27 008	Tool holder E4-30xER 40	
	Shank size [mm]:	30.00
	Shank type:	VDI
	Tool adaption:	ER 40
	Coolant:	IC
8 210 27 015	Tool holder E2-30x1" special	
	Shank size [mm]:	30.00
	Shank type:	VDI
	Tool adaption:	Ø 1" (25,4mm)
	Coolant:	IC/Ext
8 210 28 001	Tool holder E1-30x32	
	Shank size [mm]:	30.00
	Shank type:	VDI
	Tool adaption:	Ø 32
	Coolant:	IC
8 210 28 002	Tool holder E2-30x32	
	Shank size [mm]:	30.00
	Shank type:	VDI
	Tool adaption:	Ø 32
	Coolant:	IC/Ext
8 210 29 001	Tool holder E1-30x40	
	Shank size [mm]:	30.00
	Shank type:	VDI
	Tool adaption:	Ø 40
	Coolant:	IC
8 214 22 000	Tool holder C1-30x20/16	
	Employment for:	VDI 30
	Version:	right
	Shank size [mm]:	30.00
	Shank type:	VDI
	Tool adaption:	Sq. 20/16
	Coolant:	EXT
8 214 22 001	Tool holder C3-30x20/16	
	Employment for:	VDI 30
	Version:	right
	Shank size [mm]:	30.00
	Shank type:	VDI
	Tool adaption:	Sq. 20/16
	Coolant:	EXT

Part-#	Name	
8 234 22 000	Tool holder B3-30x20x40	
	Employment for:	VDI 30
	Shank size [mm]:	30.00
	Shank type:	VDI
	Tool adaption:	Sq. 20/16
	Coolant:	EXT
8 234 22 001	Tool holder B1-30x20x40	
	Employment for:	VDI 30
	Version:	right
	Shank size [mm]:	30.00
	Shank type:	VDI
	Tool adaption:	Sq. 20/16
	Coolant:	EXT
8 234 22 002	Tool holder B5-30x20x40	
	Weight [kg]:	1.790
	Shank size [mm]:	30.00
	Shank type:	VDI
	Tool adaption:	Sq. 20/16
	Coolant:	EXT
8 234 22 003	Tool holder B1-30x20x60	
	Employment for:	VDI 30
	Version:	right
	Shank size [mm]:	30.00
	Shank type:	VDI
	Tool adaption:	Sq. 20/16
	Coolant:	EXT
8 234 22 004	Tool holder B3-30x20x60	
	Employment for:	VDI 30
	Shank size [mm]:	30.00
	Shank type:	VDI
	Tool adaption:	Sq. 20/16
	Coolant:	EXT
8 234 22 005	Tool holder B5-30x20x60	
	Shank size [mm]:	30.00
	Shank type:	VDI
	Tool adaption:	Sq. 20/16
	Coolant:	EXT
8 234 22 006	Tool holder B7-30x20x40	
	Weight [kg]:	1.960
	Shank size [mm]:	30.00
	Shank type:	VDI
	Tool adaption:	Sq. 20/16
	Coolant:	EXT
8 234 22 007	Tool holder B7-30x20x60	
	Weight [kg]:	2.880
	Employment for:	VDI 30
	Shank size [mm]:	30.00
	Shank type:	VDI
	Tool adaption:	Sq. 20/16
	Coolant:	EXT

Part-#	Name	
8 234 22 014	Tool holder B1-30x20x80 special	
	Shank size [mm]:	30.00
	Shank type:	VDI
	Tool adaption:	Sq. 20/16
	Coolant:	EXT
8 234 22 015	Tool holder B1-30x20x90 special	
	Shank size [mm]:	30.00
	Shank type:	VDI
	Tool adaption:	Sq. 20/16
	Coolant:	EXT
8 262 29 000	Stock stop VDI 30 - Ø 42	
	Weight [kg]:	0.920
	Notation:	rotating
	Shank size [mm]:	30.00
	Shank type:	VDI
	Please note:	Lenght adjustable 62-95mm
8 262 29 003	Stock stop VDI 30 - Ø 60	
	Weight [kg]:	1.180
	Notation:	rotating
	Shank size [mm]:	30.00
	Shank type:	VDI
	Please note:	Lenght adjustable 62-95mm
8 267 29 000	Bar pick-up VDI 30 offset	
	Weight [kg]:	1.450
	Version:	right
	Shank size [mm]:	30.00
	Shank type:	VDI
	Please note:	Chuck jaws 42-65 mm special accessories
8 274 22 000	Tool holder D2-30x20	
	Weight [kg]:	2.220
	Shank size [mm]:	30.00
	Shank type:	VDI
	Tool adaption:	Sq. 20/16
	Coolant:	EXT
8 274 22 001	Tool holder D1-30x20	
	Weight [kg]:	2.040
	Shank size [mm]:	30.00
	Shank type:	VDI
	Tool adaption:	Sq. 20/16
	Coolant:	EXT
8 320 22 018	Cut-off holder, height adjustable SH 26 IC	
	Weight [kg]:	1.780
	Version:	universal
	Shank size [mm]:	30.00
	Shank type:	VDI
	Tool adaption:	Clampshaft SH 26
	Coolant:	IC/Ext
	Pressure max [bar]:	70

Gildemeister
 CTX alpha 300 Scheibenrevolver

Part-#	Name	
8 320 23 012	Cut-off holder, height adjustable SH 32 IC	
	Weight [kg]:	1.770
	Version:	universal
	Shank size [mm]:	30.00
	Shank type:	VDI
	Tool adaption:	Clampshaft SH 32
	Coolant:	IC/Ext
	Pressure max [bar]:	70
8 320 29 005	Cut-off holder, height adjustable 845 IC	
	Version:	universal
	Shank size [mm]:	30.00
	Shank type:	VDI
	Tool adaption:	 System 845
	Coolant:	IC
	Pressure max [bar]:	70
8 742 20 000	Clamping ring Z1- VDI 30	
	Weight [kg]:	0.420
	Shank size [mm]:	30.00
	Shank type:	VDI
	Coolant:	EXT



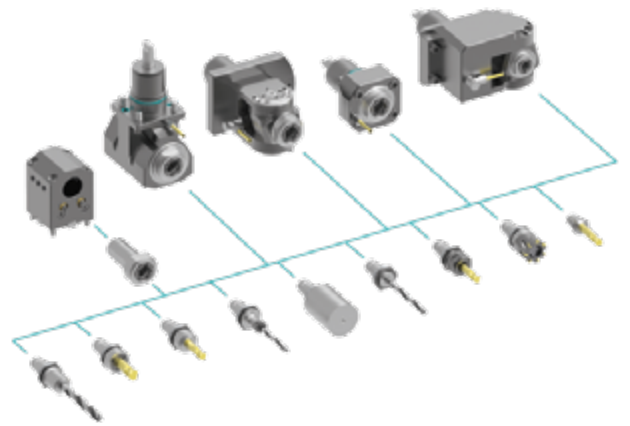
heimatec.u-tec®

heimatec.com

Products / Tool change systems /
u-tec® Tool-changing system



versions see catalog



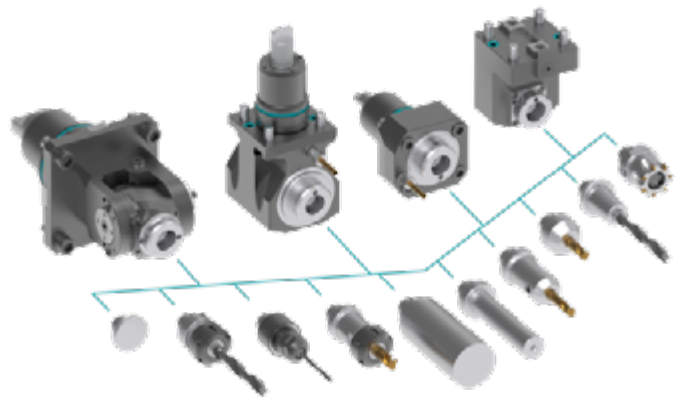
heimatec.easy-quick

heimatec.com

Products / Tool change systems /
easy-quick HT quick-changing system



versions see catalog



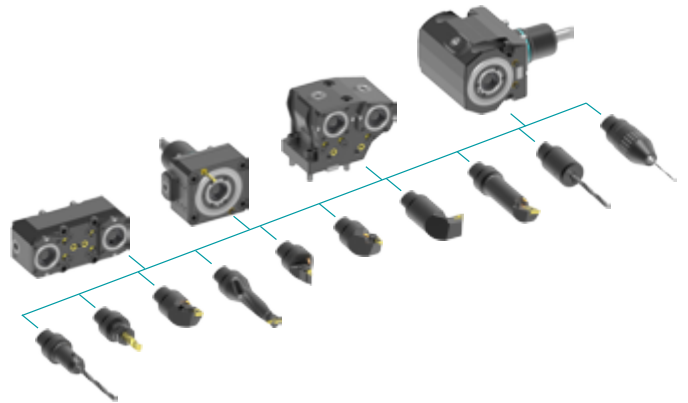
heimatec.Capto™

heimatec.com

Products / Tool change systems /
heimatec.Capto™ quick-changing system



versions see catalog



heimatec.accessories

heimatec.com

Products / Accessories



versions see catalog





● heimatec overseas branches

○ global representations of heimatec

heimatec[®]

heimatec GmbH
Präzisionswerkzeuge
Carl-Benz-Str. 4
77871 Renchen
Germany

T +49 7843 9466 0
www.heimatec.com
info@heimatec.com

Please find the contact details of our worldwide trading partners on our website:
<https://heimatec.com/business-partners>