

Mori Seiki
MT 1500 SZ
- VDI 30



High-tech from heimatec - heimatec - Tools and systems for productive turning and milling

heimatec belongs to the international technology and quality leaders for precision tools and specializes in the development and production of high-precision static and live tools for all CNC lathes, CNC turn-/mill machines and CNC machining centers.

The range of products* spans from static BMT and VDI tool holders, live tools up to highly complex customer-specific individual solutions. heimatec, headquartered in Renchen, has a own subsidiary in Asia and India and numerous representatives as well as trading partners all over the world.

*OUR PRODCUTS

Static tool holders

Live tool units

Precision tools

Tools for turning and machining centres

Tools for swiss type lathes

Tool changing and uick-change systems

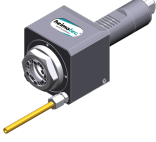
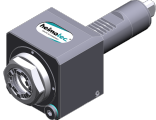
Tool systems for gear production

Digital tool management

This catalogue, including all its parts, is protected by copyright. Any use outside the restricted limitations of the Copyright Act without the consent of heimatec is inadmissible and liable to prosecution. This applies in particular to duplication, translation, microfilming and storage and processing in electronic systems.

heimatec GmbH reserves the right to make technical changes at any time without giving prior notice. This applies in particular to adjustments at any time to meet new or changed international standards, or in case of further developments of our products or manufacturing processes.

The current version of our General Terms and Conditions can be found on our website.

Part-#	Name	
8 010 25 095	Axial drilling and milling head ER 25 AX UT	
	Weight [kg]:	2.480
	Tool drive:	Flat (~DIN 1809)
	Shank size [mm]:	30.00
	Shank type:	VDI
	Tool adaption:	ER 25 A - u-tec
	Gear ratio [i]:	1:1
	Torque max [Nm]:	25
	Rotation max [1/min]:	6000
	Rotating direction:	same
	Coolant:	EXT
8 010 25 096	Axial drilling and milling head ER 25 AX UT IC	
	Weight [kg]:	2.480
	Tool drive:	Flat (~DIN 1809)
	Shank size [mm]:	30.00
	Shank type:	VDI
	Tool adaption:	ER 25 A - u-tec
	Gear ratio [i]:	1:1
	Torque max [Nm]:	25
	Rotation max [1/min]:	6000
	Rotating direction:	same
	Coolant:	IC/Ext
	Pressure max [bar]:	25
8 013 24 026	Axial drilling and milling head ER 16 AX UT	
	Weight [kg]:	2.040
	Tool drive:	Flat (~DIN 1809)
	Shank size [mm]:	30.00
	Shank type:	VDI
	Tool adaption:	ER 16 A - u-tec
	Gear ratio [i]:	1:4
	Torque max [Nm]:	5
	Rotation max [1/min]:	24000
	Rotating direction:	same
	Coolant:	EXT
8 030 25 142	Radial drilling and milling head ER 25	
	Weight [kg]:	3.340
	Version:	right
	Tool drive:	Flat (~DIN 1809)
	Shank size [mm]:	30.00
	Shank type:	VDI
	Tool adaption:	ER 25
	Gear ratio [i]:	1:1
	Torque max [Nm]:	25
	Rotation max [1/min]:	6000
	Rotating direction:	opposite
	Coolant:	EXT
	Center distance [mm]:	65


Part-#	Name	
8 030 25 143	Radial drilling and milling head ER 25	
	Weight [kg]:	3.360
	Version:	left
	Tool drive:	Flat (~DIN 1809)
	Shank size [mm]:	30.00
	Shank type:	VDI
	Tool adaption:	ER 25
	Gear ratio [i]:	1:1
	Torque max [Nm]:	25
	Rotation max [1/min]:	6000
	Rotating direction:	opposite
	Coolant:	EXT
	Center distance [mm]:	65
8 030 25 147	Radial drilling and milling head ER 25 IC	
	Weight [kg]:	3.750
	Version:	left
	Tool drive:	Flat (~DIN 1809)
	Shank size [mm]:	30.00
	Shank type:	VDI
	Tool adaption:	ER 25
	Gear ratio [i]:	1:1
	Torque max [Nm]:	25
	Rotation max [1/min]:	6000
	Rotating direction:	opposite
	Coolant:	IC/Ext
	Pressure max [bar]:	140
	Center distance [mm]:	65
8 030 25 226	Radial drilling and milling head ER 25 AX UT	
	Weight [kg]:	3.530
	Version:	right
	Tool drive:	Flat (~DIN 1809)
	Shank size [mm]:	30.00
	Shank type:	VDI
	Tool adaption:	ER 25 A - u-tec
	Gear ratio [i]:	1:1
	Torque max [Nm]:	25
	Rotation max [1/min]:	6000
	Rotating direction:	opposite
	Coolant:	EXT
	Please note:	stronger bearing
	Center distance [mm]:	65
8 030 25 227	Radial drilling and milling head ER 25 AX UT	
	Version:	left
	Tool drive:	Flat (~DIN 1809)
	Shank size [mm]:	30.00
	Shank type:	VDI
	Tool adaption:	ER 25 A - u-tec
	Gear ratio [i]:	1:1
	Torque max [Nm]:	25
	Rotation max [1/min]:	6000
	Rotating direction:	opposite
	Coolant:	EXT
	Please note:	stronger bearing
	Center distance [mm]:	65

Part-#	Name
8 030 25 261	Radial drilling and milling head ER 25 AX UT IC
	Weight [kg]: 3.930
	Version: right
	Tool drive: Flat (~DIN 1809)
	Shank size [mm]: 30.00
	Shank type: VDI
	Tool adaption: ER 25 A - u-tec
	Gear ratio [i]: 1:1
	Torque max [Nm]: 25
	Rotation max [1/min]: 6000
	Rotating direction: opposite
	Coolant: IC/Ext
	Pressure max [bar]: 140
	Please note: stronger bearing
	Center distance [mm]: 65
8 030 25 262	Radial drilling and milling head ER 25 AX UT IC
	Weight [kg]: 3.940
	Version: left
	Tool drive: Flat (~DIN 1809)
	Shank size [mm]: 30.00
	Shank type: VDI
	Tool adaption: ER 25 A - u-tec
	Gear ratio [i]: 1:1
	Torque max [Nm]: 25
	Rotation max [1/min]: 6000
	Rotating direction: opposite
	Coolant: IC/Ext
	Pressure max [bar]: 140
	Please note: stronger bearing
	Center distance [mm]: 65
8 039 25 022	Radial drilling and milling head ER 25
	Weight [kg]: 3.860
	Employment for: Main- and sub spindle
	Version: double spindle
	Tool drive: Flat (~DIN 1809)
	Shank size [mm]: 30.00
	Shank type: VDI
	Tool adaption: ER 25
	Gear ratio [i]: 1:1
	Torque max [Nm]: 25
	Rotation max [1/min]: 6000
	Rotating direction: same/opposite
	Coolant: EXT
	Please note: stronger bearing
	Center distance [mm]: 65
8 040 23 014	Universal head ± 90° adjustable ER 11 AX
	Weight [kg]: 2.400
	Tool drive: Flat (~DIN 1809)
	Shank size [mm]: 30.00
	Shank type: VDI
	Tool adaption: ER 11 A
	Gear ratio [i]: 1:1
	Torque max [Nm]: 10
	Rotation max [1/min]: 6000
	Rotating direction: same

Part-#	Name	
	Coolant:	EXT
	Please note:	note useable swivel range !
	Center distance [mm]:	55
8 040 24 044	Universal head ± 90° adjustable ER 20	
	Weight [kg]:	2.540
	Tool drive:	Flat (~DIN 1809)
	Shank size [mm]:	30.00
	Shank type:	VDI
	Tool adaption:	ER 20
	Gear ratio [i]:	1:1
	Torque max [Nm]:	10
	Rotation max [1/min]:	6000
	Rotating direction:	same
	Coolant:	EXT
	Please note:	note useable swivel range !
	Center distance [mm]:	55
8 040 24 114	Universal head ± 90° adjustable ER 16 AX UT IC	
	Weight [kg]:	4.730
	Tool drive:	Flat (~DIN 1809)
	Shank size [mm]:	30.00
	Shank type:	VDI
	Tool adaption:	ER 16 A - u-tec
	Gear ratio [i]:	1:1
	Torque max [Nm]:	25
	Rotation max [1/min]:	6000
	Rotating direction:	opposite
	Coolant:	IC/Ext
	Pressure max [bar]:	140
	Center distance [mm]:	87
8 050 24 022	Multispindle drilling head ER 16 AX UT	
	Weight [kg]:	4.880
	Notation:	offset
	Employment for:	Sub spindle
	Version:	2-spindles; right
	Tool drive:	Flat (~DIN 1809)
	Shank size [mm]:	30.00
	Shank type:	VDI
	Tool adaption:	ER 16 A - u-tec
	Gear ratio [i]:	1:2
	Torque max [Nm]:	8/Sp.
	Rotation max [1/min]:	12000
	Rotating direction:	same
	Coolant:	EXT
	Offset [mm]:	63,738
8 053 24 017	Multispindle radial head ER 16 AX UT	
	Weight [kg]:	6.110
	Version:	2-spindles; right
	Tool drive:	Flat (~DIN 1809)
	Shank size [mm]:	30.00
	Shank type:	VDI
	Tool adaption:	ER 16 u-tec
	Gear ratio [i]:	1:1
	Torque max [Nm]:	16
	Rotation max [1/min]:	6000

Part-#	Name	
	Rotating direction:	same
	Coolant:	EXT
	Center distance [mm]:	77
8 200 20 000	Plug Z2-30 K	
	Weight [kg]:	0.060
	Shank size [mm]:	30.00
	Shank type:	VDI
8 200 20 005	Plug Z2-30 S	
	Weight [kg]:	0.740
	Shank size [mm]:	30.00
	Shank type:	VDI
8 202 20 012	Basic holder longitudinal seat FN 12	
	Weight [kg]:	1.160
	Version:	universal
	Shank size [mm]:	30.00
	Shank type:	VDI
	Tool adaption:	Interface FN 12
	Coolant:	EXT
8 230 27 029	Boring bar holder Ø 25	
	Weight [kg]:	4.020
	Employment for:	Main- and sub spindle
	Version:	right
	Shank size [mm]:	30.00
	Shank type:	VDI
	Tool adaption:	Ø 25
	Coolant:	IC/Ext
	Please note:	demountable in left version
	Center distance [mm]:	80
8 230 28 025	Boring bar holder Ø 32	
	Weight [kg]:	3.860
	Employment for:	Main- and sub spindle
	Version:	right
	Shank size [mm]:	30.00
	Shank type:	VDI
	Tool adaption:	Ø 32
	Coolant:	IC/Ext
	Please note:	demountable in left version
	Center distance [mm]:	80
8 231 27 013	Boring bar holder Ø 25	
	Employment for:	Main- and sub spindle
	Version:	left
	Shank size [mm]:	30.00
	Shank type:	VDI
	Tool adaption:	Ø 25
	Coolant:	IC/Ext
	Please note:	demountable in right version
	Center distance [mm]:	80

Part-#	Name	
8 231 27 014	Boring bar holder Ø 25	
	Weight [kg]:	3.460
	Employment for:	Main- and sub spindle
	Version:	left
	Shank size [mm]:	30.00
	Shank type:	VDI
	Tool adaption:	Ø 25
	Coolant:	IC/Ext
	Please note:	demountable in right version
	Center distance [mm]:	65
8 231 28 018	Boring bar holder Ø 32	
	Weight [kg]:	3.870
	Employment for:	Main- and sub spindle
	Version:	left
	Shank size [mm]:	30.00
	Shank type:	VDI
	Tool adaption:	Ø 32
	Coolant:	IC/Ext
	Please note:	demountable in right version
	Center distance [mm]:	80
8 239 27 008	Double boring bar holder Ø 25	
	Weight [kg]:	5.340
	Employment for:	Main- and sub spindle
	Shank size [mm]:	30.00
	Shank type:	VDI
	Tool adaption:	Ø 25
	Coolant:	IC/Ext
	Center distance [mm]:	80
8 251 24 003	Combi double turning holder sq. 20	
	Weight [kg]:	4.100
	Employment for:	Main- and sub spindle
	Shank size [mm]:	30.00
	Shank type:	VDI
	Tool adaption:	Sq. 20
	Coolant:	EXT
8 320 22 019	Cut-off holder, height adjustable SH 26 IC	
	Weight [kg]:	1.510
	Version:	universal
	Shank size [mm]:	30.00
	Shank type:	VDI
	Tool adaption:	Clampshaft SH 26
	Coolant:	IC/Ext
	Pressure max [bar]:	70
8 320 23 013	Cut-off holder, height adjustable SH 32 IC	
	Weight [kg]:	1.720
	Version:	universal
	Shank size [mm]:	30.00
	Shank type:	VDI
	Tool adaption:	Clampshaft SH 32
	Coolant:	IC/Ext
	Pressure max [bar]:	70

Part-#	Name	
8 320 23 018	Cut-off holder, height adjustable SH 32 IC	
	Weight [kg]:	1.910
	Version:	universal
	Shank size [mm]:	30.00
	Shank type:	VDI
	Tool adaption:	Clampshaft SH 32
	Coolant:	IC/Ext
	Pressure max [bar]:	70
	Please note:	Clampshaft internal
8 320 23 038	Cut-off holder, height adjustable SH 32 IC	
	Weight [kg]:	1.900
	Version:	universal
	Shank size [mm]:	30.00
	Shank type:	VDI
	Tool adaption:	Clampshaft SH 32
	Coolant:	IC/Ext
	Pressure max [bar]:	70
	Please note:	Clampshaft internal, check applicability!
8 320 29 002	Cut-off holder, height adjustable 845 IC	
	Weight [kg]:	1.630
	Version:	universal
	Shank size [mm]:	30.00
	Shank type:	VDI
	Tool adaption:	 System 845
	Coolant:	IC
	Pressure max [bar]:	70



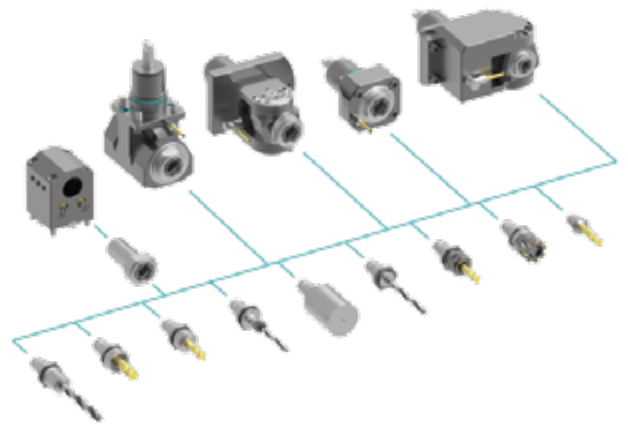
heimatec.u-tec®

heimatec.com

Products / Tool change systems /
u-tec® Tool-changing system



versions see catalog



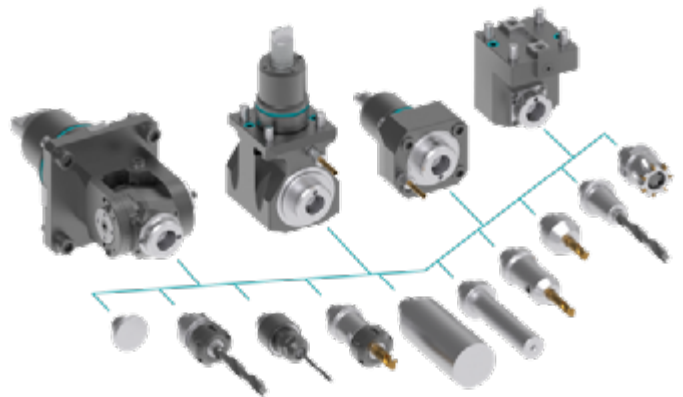
heimatec.easy-quick

heimatec.com

Products / Tool change systems /
easy-quick HT quick-changing system



versions see catalog



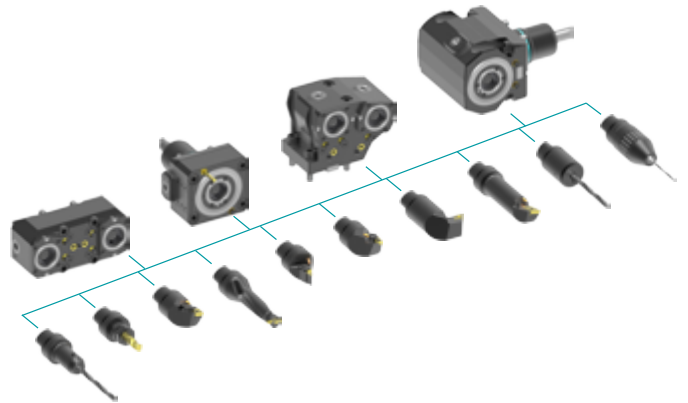
heimatec.Capto™

heimatec.com

Products / Tool change systems /
heimatec.Capto™ quick-changing system



versions see catalog



heimatec.accessories

heimatec.com

Products / Accessories



versions see catalog





● heimatec overseas branches

○ global representations of heimatec

heimatec[®]

heimatec GmbH
 Präzisionswerkzeuge
 Carl-Benz-Str. 4
 77871 Renchen
 Germany

T +49 7843 9466 0
www.heimatec.com
info@heimatec.com

Please find the contact details of our worldwide trading partners on our website:
<https://heimatec.com/business-partners>