

Hyundai-WIA  
**L 210**  
**LMA/LMSA**



# High-tech from heimatec - heimatec - Tools and systems for productive turning and milling

heimatec belongs to the international technology and quality leaders for precision tools and specializes in the development and production of high-precision static and live tools for all CNC lathes, CNC turn-/mill machines and CNC machining centers.

The range of products\* spans from static BMT and VDI tool holders, live tools up to highly complex customer-specific individual solutions. heimatec, headquartered in Renchen, has a own subsidiary in Asia and India and numerous representatives as well as trading partners all over the world.

## \*OUR PRODCUTS

Static tool holders

Live tool units

Precision tools

Tools for turning and machining centres

Tools for swiss type lathes

Tool changing and uick-change systems

Tool systems for gear production

Digital tool management

This catalogue, including all its parts, is protected by copyright. Any use outside the restricted limitations of the Copyright Act without the consent of heimatec is inadmissible and liable to prosecution. This applies in particular to duplication, translation, microfilming and storage and processing in electronic systems.

**heimatec GmbH** reserves the right to make technical changes at any time without giving prior notice. This applies in particular to adjustments at any time to meet new or changed international standards, or in case of further developments of our products or manufacturing processes.

The current version of our General Terms and Conditions can be found on our website.

Part-#	Name	
<b>8 010 46 001</b>	<b>Axial drilling and milling head ER 32</b>	
	Weight [kg]:	3.270
	Tool drive:	DIN 5482
	Shank size [mm]:	40.00
	Shank type:	VDI
	Tool adaption:	ER 32
	Gear ratio [i]:	1:1
	Torque max [Nm]:	50
	Rotation max [1/min]:	6000
	Rotating direction:	same
Coolant:	EXT	
<b>8 010 46 004</b>	<b>Axial drilling and milling head C 20</b>	
	Tool drive:	DIN 5482
	Shank size [mm]:	40.00
	Shank type:	VDI
	Tool adaption:	DIN 6388 - C 20
	Gear ratio [i]:	1:1
	Torque max [Nm]:	50
	Rotation max [1/min]:	6000
	Rotating direction:	same
	Coolant:	EXT
<b>8 010 46 195</b>	<b>Axial drilling and milling head ER 32 AX UT IC</b>	
	Weight [kg]:	3.340
	Tool drive:	DIN 5482
	Shank size [mm]:	40.00
	Shank type:	VDI
	Tool adaption:	ER 32 A - u-tec
	Gear ratio [i]:	1:1
	Torque max [Nm]:	50
	Rotation max [1/min]:	6000
	Rotating direction:	same
Coolant:	IC/Ext	
Pressure max [bar]:	25	
Please note:	round housing Ø 84	
<b>8 010 46 196</b>	<b>Axial drilling and milling head ER 32 AX UT</b>	
	Weight [kg]:	3.200
	Tool drive:	DIN 5482
	Shank size [mm]:	40.00
	Shank type:	VDI
	Tool adaption:	ER 32 A - u-tec
	Gear ratio [i]:	1:1
	Torque max [Nm]:	50
	Rotation max [1/min]:	6000
	Rotating direction:	same
Coolant:	EXT	
Please note:	round housing ø 84	
<b>8 010 46 281</b>	<b>Axial drilling and milling head ER 32 IC</b>	
	Weight [kg]:	3.400
	Tool drive:	DIN 5482
	Shank size [mm]:	40.00
	Shank type:	VDI
	Tool adaption:	ER 32
Gear ratio [i]:	1:1	
Torque max [Nm]:	50	

Part-#	Name	
	Rotation max [1/min]:	6000
	Rotating direction:	same
	Coolant:	IC/Ext
	Pressure max [bar]:	25
	Please note:	round housing ø 84
<b>8 010 47 003</b>	<b>Axial drilling and milling head Weldon 1" IC</b>	
	Tool drive:	DIN 5482
	Shank size [mm]:	40.00
	Shank type:	VDI
	Tool adaption:	Weldon (DIN 1835 b) 1" (25,4mm)
	Gear ratio [i]:	1:1
	Torque max [Nm]:	50
	Rotation max [1/min]:	5000
	Rotating direction:	same
	Coolant:	IC/Ext
<b>8 010 47 032</b>	<b>Axial drilling and milling head Weldon 25 IC</b>	
	Tool drive:	DIN 5482
	Shank size [mm]:	40.00
	Shank type:	VDI
	Tool adaption:	Weldon (DIN 1835 b) 25
	Gear ratio [i]:	1:1
	Torque max [Nm]:	50
	Rotation max [1/min]:	6000
	Rotating direction:	same
	Coolant:	IC/Ext
	Pressure max [bar]:	25
	Please note:	round housing ø 84
<b>8 010 47 035</b>	<b>Axial drilling and milling head Weldon 25</b>	
	Tool drive:	DIN 5482
	Shank size [mm]:	40.00
	Shank type:	VDI
	Tool adaption:	Weldon (DIN 1835 b) 25
	Gear ratio [i]:	1:1
	Torque max [Nm]:	50
	Rotation max [1/min]:	6000
	Rotating direction:	same
	Coolant:	EXT
	Please note:	round housing ø 84
<b>8 010 47 103</b>	<b>Axial drilling and milling head HT 5 IC</b>	
	Weight [kg]:	3.440
	Tool drive:	DIN 5482
	Shank size [mm]:	40.00
	Shank type:	VDI
	Tool adaption:	HT 5
	Gear ratio [i]:	1:1
	Torque max [Nm]:	50
	Rotation max [1/min]:	6000
	Rotating direction:	same
	Coolant:	IC/Ext
	Pressure max [bar]:	25
	Please note:	round housing ø 84

Part-#	Name	
<b>8 010 47 104</b>	<b>Axial drilling and milling head HT 5</b>	
	Weight [kg]:	3.210
	Tool drive:	DIN 5482
	Shank size [mm]:	40.00
	Shank type:	VDI
	Tool adaption:	HT 5
	Gear ratio [i]:	1:1
	Torque max [Nm]:	50
	Rotation max [1/min]:	6000
	Rotating direction:	same
	Coolant:	EXT
	Please note:	round housing ø 84
<b>8 010 47 105</b>	<b>Axial drilling and milling head ER 40 IC</b>	
	Weight [kg]:	3.620
	Tool drive:	DIN 5482
	Shank size [mm]:	40.00
	Shank type:	VDI
	Tool adaption:	ER 40
	Gear ratio [i]:	1:1
	Torque max [Nm]:	50
	Rotation max [1/min]:	6000
	Rotating direction:	same
	Coolant:	IC/Ext
	Pressure max [bar]:	25
	Please note:	stronger bearing; round housing Ø 84
<b>8 011 44 000</b>	<b>Axial milling head universal arbor 16</b>	
	Weight [kg]:	3.320
	Tool drive:	DIN 5482
	Shank size [mm]:	40.00
	Shank type:	VDI
	Tool adaption:	Universal arbor 16
	Gear ratio [i]:	1:1
	Torque max [Nm]:	50
	Rotation max [1/min]:	6000
	Rotating direction:	same
	Coolant:	EXT
<b>8 011 45 002</b>	<b>Axial milling head universal arbor 22</b>	
	Weight [kg]:	3.440
	Tool drive:	DIN 5482
	Shank size [mm]:	40.00
	Shank type:	VDI
	Tool adaption:	Universal arbor 22
	Gear ratio [i]:	1:1
	Torque max [Nm]:	50
	Rotation max [1/min]:	6000
	Rotating direction:	same
	Coolant:	EXT
<b>8 011 48 000</b>	<b>Axial milling head universal arbor 40</b>	
	Version:	Special
	Tool drive:	DIN 5482
	Shank size [mm]:	40.00
	Shank type:	VDI
	Tool adaption:	Universal arbor 40
	Gear ratio [i]:	1:1

Part-#	Name	
	Torque max [Nm]:	50
	Rotation max [1/min]:	5000
	Rotating direction:	same
	Coolant:	EXT
	Please note:	stronger bearing
<b>8 013 46 001</b>	<b>Axial drilling and milling head ER 32</b>	
	Weight [kg]:	7.220
	Tool drive:	DIN 5482
	Shank size [mm]:	40.00
	Shank type:	VDI
	Tool adaption:	ER 32
	Gear ratio [i]:	3:1
	Torque max [Nm]:	75
	Rotation max [1/min]:	3000
	Rotating direction:	same
	Coolant:	EXT
<b>8 013 47 001</b>	<b>Axial drilling and milling head HT 5</b>	
	Weight [kg]:	7.200
	Tool drive:	DIN 5482
	Shank size [mm]:	40.00
	Shank type:	VDI
	Tool adaption:	HT 5
	Gear ratio [i]:	3:1
	Torque max [Nm]:	75
	Rotation max [1/min]:	3000
	Rotating direction:	same
	Coolant:	EXT
<b>8 030 44 033</b>	<b>Radial drilling and milling head Weldon 10</b>	
	Version:	left
	Tool drive:	DIN 5482
	Shank size [mm]:	40.00
	Shank type:	VDI
	Tool adaption:	Weldon (DIN 1835 b) 10
	Gear ratio [i]:	1:1
	Torque max [Nm]:	50
	Rotation max [1/min]:	6000
	Rotating direction:	opposite
	Coolant:	EXT
	Center distance [mm]:	69
<b>8 030 44 034</b>	<b>Radial drilling and milling head Weldon 12</b>	
	Weight [kg]:	10.400
	Version:	left
	Tool drive:	DIN 5482
	Shank size [mm]:	40.00
	Shank type:	VDI
	Tool adaption:	Weldon (DIN 1835 b) 12
	Gear ratio [i]:	1:1
	Torque max [Nm]:	50
	Rotation max [1/min]:	6000
	Rotating direction:	opposite
	Coolant:	EXT
	Center distance [mm]:	69

Part-#	Name	
<b>8 030 45 088</b>	<b>Radial drilling and milling head ER 25</b>	
	Weight [kg]:	3.660
	Version:	left
	Tool drive:	DIN 5482
	Shank size [mm]:	40.00
	Shank type:	VDI
	Tool adaption:	ER 25
	Gear ratio [i]:	1:1
	Torque max [Nm]:	25
	Rotation max [1/min]:	6000
	Rotating direction:	opposite
	Coolant:	EXT
	Center distance [mm]:	54
<b>8 030 46 096</b>	<b>Radial drilling and milling head ER 32</b>	
	Weight [kg]:	5.430
	Version:	left
	Tool drive:	DIN 5482
	Shank size [mm]:	40.00
	Shank type:	VDI
	Tool adaption:	ER 32
	Gear ratio [i]:	1:1
	Torque max [Nm]:	50
	Rotation max [1/min]:	6000
	Rotating direction:	same
	Coolant:	EXT
	Please note:	without reverse rotation
	Center distance [mm]:	69
<b>8 030 46 107</b>	<b>Radial drilling and milling head ER 32</b>	
	Weight [kg]:	5.140
	Version:	left
	Tool drive:	DIN 5482
	Shank size [mm]:	40.00
	Shank type:	VDI
	Tool adaption:	ER 32
	Gear ratio [i]:	1:1
	Torque max [Nm]:	50
	Rotation max [1/min]:	6000
	Rotating direction:	opposite
	Coolant:	EXT
	Center distance [mm]:	69
<b>8 030 46 217</b>	<b>Radial drilling and milling head ER 32 IC</b>	
	Version:	left
	Tool drive:	DIN 5482
	Shank size [mm]:	40.00
	Shank type:	VDI
	Tool adaption:	ER 32
	Gear ratio [i]:	1:1
	Torque max [Nm]:	50
	Rotation max [1/min]:	6000
	Rotating direction:	opposite
	Coolant:	IC/Ext
	Pressure max [bar]:	140
	Center distance [mm]:	69

Part-#	Name	
<b>8 030 46 426</b>	<b>Radial drilling and milling head ER 32 AX UT</b>	
	Weight [kg]:	5.100
	Version:	left
	Tool drive:	DIN 5482
	Shank size [mm]:	40.00
	Shank type:	VDI
	Tool adaption:	ER 32 A - u-tec
	Gear ratio [i]:	1:1
	Torque max [Nm]:	50
	Rotation max [1/min]:	6000
	Rotating direction:	opposite
	Coolant:	EXT
	Center distance [mm]:	69
<b>8 030 46 429</b>	<b>Radial drilling and milling head ER 32 AX UT IC</b>	
	Weight [kg]:	5.630
	Version:	left
	Tool drive:	DIN 5482
	Shank size [mm]:	40.00
	Shank type:	VDI
	Tool adaption:	ER 32 A - u-tec
	Gear ratio [i]:	1:1
	Torque max [Nm]:	50
	Rotation max [1/min]:	6000
	Rotating direction:	opposite
	Coolant:	IC/Ext
	Pressure max [bar]:	140
	Center distance [mm]:	69
<b>8 030 47 160</b>	<b>Radial drilling and milling head HT 5</b>	
	Weight [kg]:	5.210
	Version:	left
	Tool drive:	DIN 5482
	Shank size [mm]:	40.00
	Shank type:	VDI
	Tool adaption:	HT 5
	Gear ratio [i]:	1:1
	Torque max [Nm]:	50
	Rotation max [1/min]:	6000
	Rotating direction:	opposite
	Coolant:	EXT
	Center distance [mm]:	69
<b>8 033 46 033</b>	<b>Radial drilling and milling head ER 32</b>	
	Notation:	offset
	Version:	left
	Tool drive:	DIN 5482
	Shank size [mm]:	40.00
	Shank type:	VDI
	Tool adaption:	ER 32
	Gear ratio [i]:	1:1
	Torque max [Nm]:	50
	Rotation max [1/min]:	4000
	Rotating direction:	same
	Coolant:	EXT

Part-#	Name
<b>8 033 46 143</b>	<b>Radial drilling and milling head ER 32 AX UT IC</b>
	Notation: offset
	Version: left
	Tool drive: DIN 5482
	Shank size [mm]: 40.00
	Shank type: VDI
	Tool adaption: ER 32 A - u-tec
	Gear ratio [i]: 1:1
	Torque max [Nm]: 50
	Rotation max [1/min]: 6000
	Rotating direction: same
	Coolant: IC/Ext
	Pressure max [bar]: 140
	Center distance [mm]: 100
<b>8 038 45 006</b>	<b>Radial drilling and milling head ER 25</b>
	Notation: Y-axes adjustable
	Version: left
	Tool drive: DIN 5482
	Shank size [mm]: 40.00
	Shank type: VDI
	Tool adaption: ER 25
	Gear ratio [i]: 1:1
	Torque max [Nm]: 16
	Rotation max [1/min]: 6000
	Rotating direction: same
	Coolant: EXT
<b>8 040 45 074</b>	<b>Universal head ± 90° adjustable ER 25 AX UT</b>
	Version: left
	Tool drive: DIN 5482
	Shank size [mm]: 40.00
	Shank type: VDI
	Tool adaption: ER 25 A - u-tec
	Gear ratio [i]: 1:1
	Torque max [Nm]: 25
	Rotation max [1/min]: 6000
	Rotating direction: same
	Coolant: EXT
	Please note: stronger bearing
	Center distance [mm]: 87
<b>8 200 40 000</b>	<b>Plug Z2-40 K</b>
	Weight [kg]: 0.140
	Shank size [mm]: 40.00
	Shank type: VDI
<b>8 200 40 001</b>	<b>Plug Z2-40 S</b>
	Weight [kg]: 1.360
	Shank size [mm]: 40.00
	Shank type: VDI


Part-#	Name	
<b>8 206 42 000</b>	<b>Adapter for VDI 30</b>	
	Weight [kg]:	3.530
	Version:	doubletoothed
	Shank size [mm]:	40.00
	Shank type:	VDI
	Tool adaption:	DIN 69880 - 30
	Coolant:	EXT
	Please note:	Special
<b>8 208 49 001</b>	<b>Test mandrel VDI 40x40x200</b>	
	Weight [kg]:	3.020
	Shank size [mm]:	40.00
	Shank type:	VDI
<b>8 208 49 003</b>	<b>Test mandrel VDI 40x40x300</b>	
	Weight [kg]:	4.020
	Shank size [mm]:	40.00
	Shank type:	VDI
<b>8 210 41 000</b>	<b>Tool holder F 40-MK 1</b>	
	Weight [kg]:	1.600
	Shank size [mm]:	40.00
	Shank type:	VDI
	Tool adaption:	DIN 228 D - MK 1
	Coolant:	IC
<b>8 210 42 001</b>	<b>Tool holder F 40-MK 2</b>	
	Weight [kg]:	1.620
	Shank size [mm]:	40.00
	Shank type:	VDI
	Tool adaption:	DIN 228 D - MK 2
	Coolant:	IC
<b>8 210 43 000</b>	<b>Tool holder E2-40x 8</b>	
	Shank size [mm]:	40.00
	Shank type:	VDI
	Tool adaption:	Ø 8
	Coolant:	IC/Ext
<b>8 210 43 002</b>	<b>Tool holder F 40-MK 3</b>	
	Weight [kg]:	1.520
	Shank size [mm]:	40.00
	Shank type:	VDI
	Tool adaption:	DIN 228 D - MK 3
	Coolant:	IC
<b>8 210 43 003</b>	<b>Short drill chuck VDI 40x 8</b>	
	Weight [kg]:	1.700
	Shank size [mm]:	40.00
	Shank type:	VDI
	Coolant:	EXT
<b>8 210 43 004</b>	<b>Short drill chuck VDI 40x 8 - IC</b>	
	Weight [kg]:	1.730
	Shank size [mm]:	40.00
	Shank type:	VDI
	Coolant:	IC

Part-#	Name	
<b>8 210 44 001</b>	<b>Tool holder E2-40x10</b>	
	Weight [kg]:	2.320
	Shank size [mm]:	40.00
	Shank type:	VDI
	Tool adaption:	Ø 10
	Coolant:	IC/Ext
<b>8 210 44 007</b>	<b>Tool holder F 40-MK 4</b>	
	Weight [kg]:	2.460
	Shank size [mm]:	40.00
	Shank type:	VDI
	Tool adaption:	DIN 228 D - MK 4
	Coolant:	IC
<b>8 210 44 008</b>	<b>Short drill chuck VDI 40x13</b>	
	Weight [kg]:	2.280
	Shank size [mm]:	40.00
	Shank type:	VDI
	Coolant:	EXT
<b>8 210 44 010</b>	<b>Tool holder E1-40x10</b>	
	Shank size [mm]:	40.00
	Shank type:	VDI
	Tool adaption:	Ø 10
	Coolant:	IC
<b>8 210 44 011</b>	<b>Tool holder E1-40x12</b>	
	Shank size [mm]:	40.00
	Shank type:	VDI
	Tool adaption:	Ø 12
	Coolant:	IC
<b>8 210 44 014</b>	<b>Short drill chuck VDI 40x13 - IC</b>	
	Weight [kg]:	2.290
	Shank size [mm]:	40.00
	Shank type:	VDI
	Coolant:	IC
<b>8 210 44 019</b>	<b>Tool holder E2-40x10 - special</b>	
	Shank size [mm]:	40.00
	Shank type:	VDI
	Tool adaption:	Ø 10
	Coolant:	IC/Ext
	Please note:	Shaft with hole, locked with screw
<b>8 210 44 020</b>	<b>Tool holder E2-40x12 - special</b>	
	Shank size [mm]:	40.00
	Shank type:	VDI
	Tool adaption:	Ø 12
	Coolant:	IC/Ext
	Please note:	Shaft with hole, locked with screw
<b>8 210 45 000</b>	<b>Tool holder E2-40x16</b>	
	Shank size [mm]:	40.00
	Shank type:	VDI
	Tool adaption:	Ø 16
	Coolant:	IC/Ext

Part-#	Name	
	<b>8 210 45 002</b> <b>Tool holder E4-40xER 25</b>	
	Weight [kg]:	1.570
	Shank size [mm]:	40.00
	Shank type:	VDI
	Tool adaption:	ER 25
	Coolant:	IC
	<b>8 210 45 003</b> <b>Tool holder E1-40x16</b>	
	Shank size [mm]:	40.00
	Shank type:	VDI
	Tool adaption:	Ø 16
	Coolant:	IC
	<b>8 210 45 006</b> <b>Short drill chuck VDI 40x16</b>	
	Weight [kg]:	2.460
	Shank size [mm]:	40.00
	Shank type:	VDI
	Coolant:	EXT
	<b>8 210 45 009</b> <b>Short drill chuck VDI 40x16 - IC</b>	
	Weight [kg]:	2.320
	Shank size [mm]:	40.00
	Shank type:	VDI
	Coolant:	IC
	<b>8 210 45 020</b> <b>Tool holder ER 25 AX UT IC</b>	
	Weight [kg]:	1.860
	Shank size [mm]:	40.00
	Shank type:	VDI
	Tool adaption:	ER 25 A - u-tec
	Coolant:	IC/Ext
	<b>8 210 46 000</b> <b>Tool holder E4-40xER 32</b>	
	Weight [kg]:	1.640
	Shank size [mm]:	40.00
	Shank type:	VDI
	Tool adaption:	ER 32
	Coolant:	IC
	<b>8 210 46 002</b> <b>Tool holder E2-40x20</b>	
	Shank size [mm]:	40.00
	Shank type:	VDI
	Tool adaption:	Ø 20
	Coolant:	IC/Ext
	<b>8 210 46 004</b> <b>Tool holder E1-40x20</b>	
	Shank size [mm]:	40.00
	Shank type:	VDI
	Tool adaption:	Ø 20
	Coolant:	IC

Part-#	Name	
<b>8 210 46 010</b>	<b>Tool holder E2-40x20 - special</b>	
	Shank size [mm]:	40.00
	Shank type:	VDI
	Tool adaption:	Ø 20
	Coolant:	IC/Ext
	Please note:	Shaft with hole, locked with screw
<b>8 210 47 001</b>	<b>Tool holder E2-40x25</b>	
	Shank size [mm]:	40.00
	Shank type:	VDI
	Tool adaption:	Ø 25
	Coolant:	IC/Ext
<b>8 210 47 004</b>	<b>Tool holder E4-40xER 40</b>	
	Shank size [mm]:	40.00
	Shank type:	VDI
	Tool adaption:	ER 40
	Coolant:	IC
<b>8 210 47 005</b>	<b>Tool holder E1-40x25</b>	
	Weight [kg]:	1.840
	Shank size [mm]:	40.00
	Shank type:	VDI
	Tool adaption:	Ø 25
	Coolant:	IC
<b>8 210 48 001</b>	<b>Tool holder E2-40x32</b>	
	Shank size [mm]:	40.00
	Shank type:	VDI
	Tool adaption:	Ø 32
	Coolant:	IC/Ext
<b>8 210 48 004</b>	<b>Tool holder E1-40x32</b>	
	Weight [kg]:	1.830
	Shank size [mm]:	40.00
	Shank type:	VDI
	Tool adaption:	Ø 32
	Coolant:	IC
<b>8 210 48 012</b>	<b>Tool holder E2-40x32 special</b>	
	Version:	Special
	Shank size [mm]:	40.00
	Shank type:	VDI
	Tool adaption:	Ø 32
	Coolant:	IC/Ext
	Please note:	with end stop
<b>8 210 49 000</b>	<b>Tool holder E2-40x40</b>	
	Shank size [mm]:	40.00
	Shank type:	VDI
	Tool adaption:	Ø 40
	Coolant:	IC/Ext

Part-#	Name	
<b>8 210 49 002</b>	<b>Tool holder E1-40x40</b>	
	Shank size [mm]:	40.00
	Shank type:	VDI
	Tool adaption:	Ø 40
	Coolant:	IC
<b>8 210 49 003</b>	<b>Tool holder E1-40x50</b>	
	Shank size [mm]:	40.00
	Shank type:	VDI
	Tool adaption:	Ø 50
	Coolant:	IC
<b>8 210 49 005</b>	<b>Tool holder E2-40x50</b>	
	Weight [kg]:	3.000
	Shank size [mm]:	40.00
	Shank type:	VDI
	Tool adaption:	Ø 50
	Coolant:	IC/Ext
<b>8 215 43 000</b>	<b>Tool holder C2-40x25</b>	
	Employment for:	VDI 40
	Version:	left
	Shank size [mm]:	40.00
	Shank type:	VDI
	Tool adaption:	Sq. 25/20
	Coolant:	EXT
<b>8 215 43 001</b>	<b>Tool holder C4-40x25</b>	
	Employment for:	VDI 40
	Version:	left
	Shank type:	VDI
	Tool adaption:	Sq. 25/20
	Coolant:	EXT
<b>8 215 43 003</b>	<b>Tool holder C2-40x25 special</b>	
	Weight [kg]:	4.480
	Version:	left
	Shank size [mm]:	40.00
	Shank type:	VDI
	Tool adaption:	Sq. 25/20
	Coolant:	EXT
<b>8 219 47 004</b>	<b>Boring bar holder ø 25</b>	
	Weight [kg]:	2.820
	Version:	left; offset
	Shank size [mm]:	40.00
	Shank type:	VDI
	Tool adaption:	Ø 25
	Coolant:	IC/Ext
	Offset [mm]:	25

Part-#	Name	
<b>8 219 48 006</b>	<b>Boring bar holder ø 32</b>	
	Version:	left, offset
	Shank size [mm]:	40.00
	Shank type:	VDI
	Tool adaption:	Ø 32
	Coolant:	IC/Ext
	Offset [mm]:	30
<b>8 235 43 000</b>	<b>Tool holder B2-40x25x44</b>	
	Employment for:	VDI 40
	Version:	left
	Shank size [mm]:	40.00
	Shank type:	VDI
	Tool adaption:	Sq. 25/20
	Coolant:	EXT
<b>8 235 43 001</b>	<b>Tool holder B4-40x25x44</b>	
	Employment for:	VDI 40
	Version:	left
	Shank size [mm]:	40.00
	Shank type:	VDI
	Tool adaption:	Sq. 25/20
	Coolant:	EXT
<b>8 235 43 009</b>	<b>Tool holder B6-40x25x44 special</b>	
	Weight [kg]:	2.960
	Employment for:	VDI 40
	Version:	Special; left
	Shank size [mm]:	40.00
	Shank type:	VDI
	Tool adaption:	Sq. 25/20
	Coolant:	EXT
	Please note:	Insert for system "Jetstream" from Seco
<b>8 235 43 010</b>	<b>Tool holder B2-40x25x44 special</b>	
	Weight [kg]:	2.260
	Employment for:	VDI 40
	Version:	Special; left
	Shank size [mm]:	40.00
	Shank type:	VDI
	Tool adaption:	Sq. 25/20
	Coolant:	EXT
	Please note:	Insert for system "Jetstream" from Seco
<b>8 262 49 000</b>	<b>Stock stop VDI 40 - Ø 42</b>	
	Weight [kg]:	1.360
	Shank size [mm]:	40.00
	Shank type:	VDI
<b>8 262 49 001</b>	<b>Stock stop VDI 40 - Ø 60</b>	
	Weight [kg]:	1.620
	Shank size [mm]:	40.00
	Shank type:	VDI

Part-#	Name	
<b>8 262 49 002</b>	<b>Stock stop VDI 40 - Ø 54</b>	
	Weight [kg]:	1.530
	Shank size [mm]:	40.00
	Shank type:	VDI
<b>8 267 49 002</b>	<b>Bar pick-up VDI 40 offset left</b>	
	Weight [kg]:	2.080
	Version:	left
	Shank size [mm]:	40.00
	Shank type:	VDI
	Please note:	Chuck jaws 62-85 mm special accessories





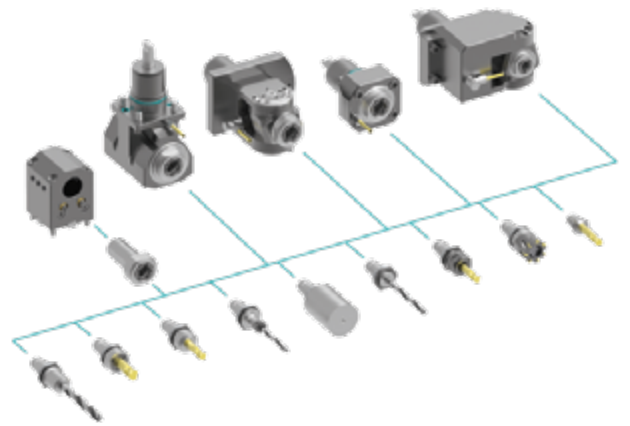
## heimatec.u-tec®

heimatec.com

Products / Tool change systems /  
u-tec® Tool-changing system



versions see catalog



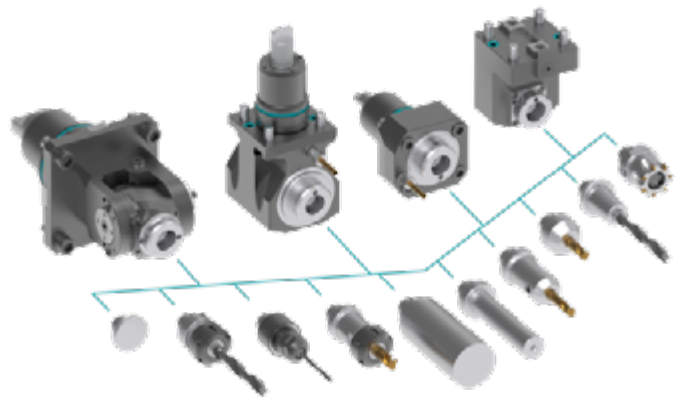
## heimatec.easy-quick

heimatec.com

Products / Tool change systems /  
easy-quick HT quick-changing system



versions see catalog



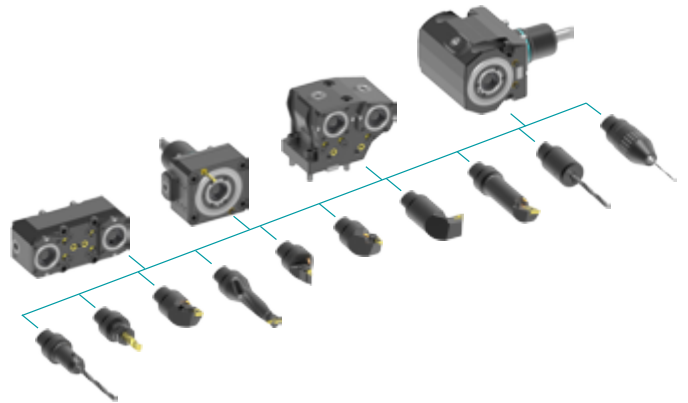
## heimatec.Capto™

heimatec.com

Products / Tool change systems /  
heimatec.Capto™ quick-changing system



versions see catalog



## heimatec.accessories

heimatec.com

Products / Accessories



versions see catalog





● heimatec overseas branches

○ global representations of heimatec

**heimatec**<sup>®</sup>

**heimatec GmbH**  
Präzisionswerkzeuge  
Carl-Benz-Str. 4  
77871 Renchen  
Germany

T +49 7843 9466 0  
[www.heimatec.com](http://www.heimatec.com)  
[info@heimatec.com](mailto:info@heimatec.com)

Please find the contact details of our worldwide trading partners on our website:  
<https://heimatec.com/business-partners>