

Mori Seiki  
**ZT 2500**



# High-tech from heimatec - heimatec - Tools and systems for productive turning and milling

heimatec belongs to the international technology and quality leaders for precision tools and specializes in the development and production of high-precision static and live tools for all CNC lathes, CNC turn-/mill machines and CNC machining centers.

The range of products\* spans from static BMT and VDI tool holders, live tools up to highly complex customer-specific individual solutions. heimatec, headquartered in Renchen, has a own subsidiary in Asia and India and numerous representatives as well as trading partners all over the world.

## \*OUR PRODCUTS

Static tool holders

Live tool units

Precision tools

Tools for turning and machining centres

Tools for swiss type lathes

Tool changing and uick-change systems

Tool systems for gear production

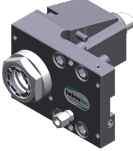
Digital tool management

This catalogue, including all its parts, is protected by copyright. Any use outside the restricted limitations of the Copyright Act without the consent of heimatec is inadmissible and liable to prosecution. This applies in particular to duplication, translation, microfilming and storage and processing in electronic systems.

**heimatec GmbH** reserves the right to make technical changes at any time without giving prior notice. This applies in particular to adjustments at any time to meet new or changed international standards, or in case of further developments of our products or manufacturing processes.

The current version of our General Terms and Conditions can be found on our website.

Part-#	Name	
<b>8 010 34 012</b>	<b>Axial drilling and milling head ER 20 IC</b>	
	Weight [kg]:	5.640
	Tool drive:	Flat (~DIN 1809)
	Shank size [mm]:	32.00
	Shank type:	BMT
	Tool adaption:	ER 20
	Gear ratio [i]:	1:1
	Torque max [Nm]:	50
	Rotation max [1/min]:	6000
	Rotating direction:	same
	Coolant:	IC/Ext
	Pressure max [bar]:	25
<b>8 010 35 014</b>	<b>Axial drilling and milling head ER 25 AX UT</b>	
	Weight [kg]:	5.290
	Tool drive:	Flat (~DIN 1809)
	Shank size [mm]:	32.00
	Shank type:	BMT
	Tool adaption:	ER 25 A - u-tec
	Gear ratio [i]:	1:1
	Torque max [Nm]:	50
	Rotation max [1/min]:	12000
	Rotating direction:	same
	Coolant:	EXT
	Please note:	stronger bearing
<b>8 010 36 000</b>	<b>Axial drilling and milling head ER 32 IC</b>	
	Weight [kg]:	5.560
	Tool drive:	Flat (~DIN 1809)
	Shank size [mm]:	32.00
	Shank type:	BMT
	Tool adaption:	ER 32
	Gear ratio [i]:	1:1
	Torque max [Nm]:	50
	Rotation max [1/min]:	6000
	Rotating direction:	same
	Coolant:	IC/Ext
	Pressure max [bar]:	25
<b>8 010 36 001</b>	<b>Axial drilling and milling head ER 32</b>	
	Weight [kg]:	5.520
	Tool drive:	Flat (~DIN 1809)
	Shank size [mm]:	32.00
	Shank type:	BMT
	Tool adaption:	ER 32
	Gear ratio [i]:	1:1
	Torque max [Nm]:	50
	Rotation max [1/min]:	8000
	Rotating direction:	same
	Coolant:	EXT

Part-#	Name	
	<b>8 010 36 007</b>	<b>Axial drilling and milling head ER 32 AX UT</b>
	Weight [kg]:	5.470
	Tool drive:	Flat (~DIN 1809)
	Shank size [mm]:	32.00
	Shank type:	BMT
	Tool adaption:	ER 32 A - u-tec
	Gear ratio [i]:	1:1
	Torque max [Nm]:	50
	Rotation max [1/min]:	8000
	Rotating direction:	same
	Coolant:	EXT
	Please note:	stronger bearing
		<b>8 010 36 008</b>
Tool drive:		Flat (~DIN 1809)
Shank size [mm]:		32.00
Shank type:		BMT
Tool adaption:		ER 32
Gear ratio [i]:		1:1
Torque max [Nm]:		50
Rotation max [1/min]:		6000
Rotating direction:		same
Coolant:		IC/Ext
	<b>8 010 36 009</b>	<b>Axial drilling and milling head ER 32 AX UT IC</b>
	Weight [kg]:	5.550
	Tool drive:	Flat (~DIN 1809)
	Shank size [mm]:	32.00
	Shank type:	BMT
	Tool adaption:	ER 32 A - u-tec
	Gear ratio [i]:	1:1
	Torque max [Nm]:	50
	Rotation max [1/min]:	6000
	Rotating direction:	same
	<b>8 010 36 016</b>	<b>Axial drilling and milling head ER 32 AX UT IC</b>
	Weight [kg]:	5.500
	Tool drive:	Flat (~DIN 1809)
	Shank size [mm]:	32.00
	Shank type:	BMT
	Tool adaption:	ER 32 A - u-tec
	Gear ratio [i]:	1:1
	Torque max [Nm]:	50
	Rotation max [1/min]:	12000
	Rotating direction:	same
	Coolant:	IC/Ext
	Pressure max [bar]:	25
	Please note:	stronger bearing

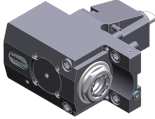
Part-#	Name	
<b>8 010 37 000</b>	<b>Axial drilling and milling head HT 5</b>	
	Weight [kg]:	5.510
	Tool drive:	Flat (~DIN 1809)
	Shank size [mm]:	32.00
	Shank type:	BMT
	Tool adaption:	HT 5
	Gear ratio [i]:	1:1
	Torque max [Nm]:	50
	Rotation max [1/min]:	8000
	Rotating direction:	same
	Coolant:	EXT
<b>8 010 37 001</b>	<b>Axial drilling and milling head HT 5 IC</b>	
	Weight [kg]:	5.530
	Tool drive:	Flat (~DIN 1809)
	Shank size [mm]:	32.00
	Shank type:	BMT
	Tool adaption:	HT 5
	Gear ratio [i]:	1:1
	Torque max [Nm]:	50
	Rotation max [1/min]:	6000
	Rotating direction:	same
	Coolant:	IC/Ext
	Pressure max [bar]:	25
<b>8 010 37 002</b>	<b>Axial drilling and milling head ER 40 IC</b>	
	Weight [kg]:	5.800
	Tool drive:	Flat (~DIN 1809)
	Shank size [mm]:	32.00
	Shank type:	BMT
	Tool adaption:	ER 40
	Gear ratio [i]:	1:1
	Torque max [Nm]:	50
	Rotation max [1/min]:	6000
	Rotating direction:	same
	Coolant:	IC/Ext
	Pressure max [bar]:	25
<b>8 011 34 004</b>	<b>Axial milling head universal arbor 16</b>	
	Weight [kg]:	5.470
	Tool drive:	Flat (~DIN 1809)
	Shank size [mm]:	32.00
	Shank type:	BMT
	Tool adaption:	Universal arbor 16
	Gear ratio [i]:	1:1
	Torque max [Nm]:	50
	Rotation max [1/min]:	6000
	Rotating direction:	same
	Coolant:	EXT
<b>8 011 35 000</b>	<b>Axial milling head universal arbor 22</b>	
	Weight [kg]:	5.580
	Tool drive:	Flat (~DIN 1809)
	Shank size [mm]:	32.00
	Shank type:	BMT
	Tool adaption:	Universal arbor 22
	Gear ratio [i]:	1:1
	Torque max [Nm]:	50

Part-#	Name	
	Rotation max [1/min]:	6000
	Rotating direction:	same
	Coolant:	EXT
<b>8 030 34 005</b>	<b>Radial drilling and milling head ER 20</b>	
	Weight [kg]:	10.680
	Tool drive:	Flat (~DIN 1809)
	Shank size [mm]:	32.00
	Shank type:	BMT
	Tool adaption:	ER 20
	Gear ratio [i]:	1:3
	Torque max [Nm]:	8
	Rotation max [1/min]:	12000
	Rotating direction:	opposite
	Coolant:	EXT
	Center distance [mm]:	55
<b>8 030 34 012</b>	<b>Radial drilling and milling head ER 20 IC</b>	
	Employment for:	Main spindle
	Tool drive:	Flat (~DIN 1809)
	Shank size [mm]:	32.00
	Shank type:	BMT
	Tool adaption:	ER 20
	Gear ratio [i]:	1:1
	Torque max [Nm]:	50
	Rotation max [1/min]:	6000
	Rotating direction:	opposite
	Coolant:	IC/Ext
	Pressure max [bar]:	25
	Center distance [mm]:	55
<b>8 030 34 013</b>	<b>Radial drilling and milling head ER 20 IC</b>	
	Employment for:	Sub spindle
	Tool drive:	Flat (~DIN 1809)
	Shank size [mm]:	32.00
	Shank type:	BMT
	Tool adaption:	ER 20
	Gear ratio [i]:	1:1
	Torque max [Nm]:	50
	Rotation max [1/min]:	6000
	Rotating direction:	same
	Coolant:	IC/Ext
	Pressure max [bar]:	25
	Please note:	note center distance 55 !
	Center distance [mm]:	55
<b>8 030 35 014</b>	<b>Radial drilling and milling head ER 25 AX UT IC</b>	
	Weight [kg]:	10.320
	Employment for:	Sub spindle
	Tool drive:	Flat (~DIN 1809)
	Shank size [mm]:	32.00
	Shank type:	BMT
	Tool adaption:	ER 25 A - u-tec
	Gear ratio [i]:	1:2
	Torque max [Nm]:	16
	Rotation max [1/min]:	12000
	Rotating direction:	opposite
	Coolant:	IC/Ext

Part-#	Name	
	Pressure max [bar]:	140
	Please note:	note center distance 55 !
	Center distance [mm]:	55
<b>8 030 35 027</b>	<b>Radial drilling and milling head ER 25 AX UT IC</b>	
	Weight [kg]:	10.350
	Employment for:	Main spindle
	Tool drive:	Flat (~DIN 1809)
	Shank size [mm]:	32.00
	Shank type:	BMT
	Tool adaption:	ER 25 A - u-tec
	Gear ratio [i]:	1:2
	Torque max [Nm]:	16
	Rotation max [1/min]:	12000
	Rotating direction:	opposite
	Coolant:	IC/Ext
	Pressure max [bar]:	140
	Please note:	note center distance 55 !
	Center distance [mm]:	55
<b>8 030 35 028</b>	<b>Radial drilling and milling head ER 25 AX UT</b>	
	Weight [kg]:	9.970
	Employment for:	Main spindle
	Tool drive:	Flat (~DIN 1809)
	Shank size [mm]:	32.00
	Shank type:	BMT
	Tool adaption:	ER 25 A - u-tec
	Gear ratio [i]:	1:2
	Torque max [Nm]:	16
	Rotation max [1/min]:	12000
	Rotating direction:	opposite
	Coolant:	EXT
	Please note:	note center distance 55 !
	Center distance [mm]:	55
<b>8 030 36 001</b>	<b>Radial drilling and milling head ER 32</b>	
	Weight [kg]:	10.320
	Tool drive:	Flat (~DIN 1809)
	Shank size [mm]:	32.00
	Shank type:	BMT
	Tool adaption:	ER 32
	Gear ratio [i]:	1:1
	Torque max [Nm]:	50
	Rotation max [1/min]:	12000
	Rotating direction:	opposite
	Coolant:	EXT
	Center distance [mm]:	55
<b>8 030 36 005</b>	<b>Radial drilling and milling head ER 32</b>	
	Weight [kg]:	10.310
	Tool drive:	Flat (~DIN 1809)
	Shank size [mm]:	32.00
	Shank type:	BMT
	Tool adaption:	ER 32
	Gear ratio [i]:	2:1
	Torque max [Nm]:	63
	Rotation max [1/min]:	3000
	Rotating direction:	opposite

Part-#	Name	
	Coolant:	EXT
	Center distance [mm]:	55
<b>8 030 36 011</b>	<b>Radial drilling and milling head ER 32 AX UT</b>	
	Weight [kg]:	10.240
	Tool drive:	Flat (~DIN 1809)
	Shank size [mm]:	32.00
	Shank type:	BMT
	Tool adaption:	ER 32 A - u-tec
	Gear ratio [i]:	1:1
	Torque max [Nm]:	50
	Rotation max [1/min]:	12000
	Rotating direction:	opposite
	Coolant:	EXT
	Center distance [mm]:	55
<b>8 030 36 012</b>	<b>Radial drilling and milling head ER 32 AX UT IC</b>	
	Weight [kg]:	10.470
	Tool drive:	Flat (~DIN 1809)
	Shank size [mm]:	32.00
	Shank type:	BMT
	Tool adaption:	ER 32 A - u-tec
	Gear ratio [i]:	1:1
	Torque max [Nm]:	50
	Rotation max [1/min]:	6000
	Rotating direction:	opposite
	Coolant:	IC/Ext
	Pressure max [bar]:	140
	Center distance [mm]:	55
<b>8 030 36 021</b>	<b>Radial drilling and milling head ER 32 AX UT IC</b>	
	Weight [kg]:	10.450
	Tool drive:	Flat (~DIN 1809)
	Shank size [mm]:	32.00
	Shank type:	BMT
	Tool adaption:	ER 32 A - u-tec
	Gear ratio [i]:	1:1
	Torque max [Nm]:	50
	Rotation max [1/min]:	12000
	Rotating direction:	opposite
	Coolant:	IC/Ext
	Pressure max [bar]:	140
	Center distance [mm]:	55
<b>8 030 37 001</b>	<b>Radial drilling and milling head HT 5 IC</b>	
	Tool drive:	Flat (~DIN 1809)
	Shank size [mm]:	32.00
	Shank type:	BMT
	Tool adaption:	HT 5
	Gear ratio [i]:	1:1
	Torque max [Nm]:	50
	Rotation max [1/min]:	6000
	Rotating direction:	opposite
	Coolant:	IC/Ext
	Pressure max [bar]:	140
	Center distance [mm]:	55

Part-#	Name	
<b>8 030 37 007</b>	<b>Radial drilling and milling head Weldon 1"</b>	
	Weight [kg]:	10.890
	Tool drive:	Flat (~DIN 1809)
	Shank size [mm]:	32.00
	Shank type:	BMT
	Tool adaption:	Weldon (DIN 1835 b) 1" (25,4mm)
	Gear ratio [i]:	2:1
	Torque max [Nm]:	63
	Rotation max [1/min]:	3000
	Rotating direction:	opposite
	Coolant:	EXT
	Center distance [mm]:	55
<b>8 031 36 000</b>	<b>Radial polygon head arbor 27</b>	
	Weight [kg]:	10.860
	Employment for:	Main spindle
	Tool drive:	Flat (~DIN 1809)
	Shank size [mm]:	32.00
	Shank type:	BMT
	Tool adaption:	Polygon arbor 27
	Gear ratio [i]:	1:1
	Torque max [Nm]:	50
	Rotation max [1/min]:	6000
	Rotating direction:	opposite
	Coolant:	EXT
	Please note:	stronger bearing
<b>8 037 34 001</b>	<b>Woodruff keycutter ER 20 AX</b>	
	Tool drive:	Flat (~DIN 1809)
	Shank size [mm]:	32.00
	Shank type:	BMT
	Tool adaption:	ER 20 A
	Gear ratio [i]:	1,333:1
	Torque max [Nm]:	32
	Rotation max [1/min]:	4000
	Rotating direction:	opposite
	Coolant:	EXT
	Center distance [mm]:	75
	Offset [mm]:	8
<b>8 039 35 004</b>	<b>Radial drilling and milling head ER 25 AX UT</b>	
	Weight [kg]:	10.480
	Version:	double spindle
	Tool drive:	Flat (~DIN 1809)
	Shank size [mm]:	32.00
	Shank type:	BMT
	Tool adaption:	ER 25 u-tec
	Gear ratio [i]:	1:1
	Torque max [Nm]:	50
	Rotation max [1/min]:	12000
	Rotating direction:	same/opposite
	Coolant:	EXT
	Center distance [mm]:	55

Part-#	Name	
<b>8 039 36 002</b>	<b>Radial drilling and milling head ER 32 AX UT</b>	
	Weight [kg]:	10.710
	Version:	double spindle
	Tool drive:	Flat (~DIN 1809)
	Shank size [mm]:	32.00
	Shank type:	BMT
	Tool adaption:	ER 32 u-tec
	Gear ratio [i]:	1:1
	Torque max [Nm]:	50
	Rotation max [1/min]:	12000
	Rotating direction:	same/opposite
	Coolant:	EXT
	Center distance [mm]:	55
<b>8 039 36 004</b>	<b>Radial drilling and milling head ER 32 AX UT IC</b>	
	Version:	double spindle
	Tool drive:	Flat (~DIN 1809)
	Shank size [mm]:	32.00
	Shank type:	BMT
	Tool adaption:	ER 32 u-tec
	Gear ratio [i]:	1:1
	Torque max [Nm]:	50
	Rotation max [1/min]:	10000
	Rotating direction:	same/opposite
	Coolant:	IC/Ext
	Pressure max [bar]:	70
	Please note:	stronger bearing
	Center distance [mm]:	55
<b>8 040 34 007</b>	<b>Universal head + 99°/-77° adj. ER16 AX UT</b>	
	Weight [kg]:	6.890
	Tool drive:	Flat (~DIN 1809)
	Shank size [mm]:	32.00
	Shank type:	BMT
	Tool adaption:	ER 16 A - u-tec
	Gear ratio [i]:	1:1
	Torque max [Nm]:	20
	Rotation max [1/min]:	6000
	Rotating direction:	opposite
	Coolant:	EXT
	Please note:	Note swivel range
	Center distance [mm]:	34
<b>8 040 34 010</b>	<b>Universal head + 99°/-77° adj. ER16AX UTIK</b>	
	Weight [kg]:	6.920
	Tool drive:	Flat (~DIN 1809)
	Shank size [mm]:	32.00
	Shank type:	BMT
	Tool adaption:	ER 16 A - u-tec
	Gear ratio [i]:	1:2
	Torque max [Nm]:	12
	Rotation max [1/min]:	12000
	Rotating direction:	opposite
	Coolant:	IC/Ext
	Pressure max [bar]:	25
	Please note:	Note swivel range
	Center distance [mm]:	34

Part-#	Name	
<b>8 040 34 011</b>	<b>Universal head + 99°/-77° adj. ER20 AX UT</b>	
	Weight [kg]:	7.070
	Tool drive:	Flat (~DIN 1809)
	Shank size [mm]:	32.00
	Shank type:	BMT
	Tool adaption:	ER 20 A - u-tec
	Gear ratio [i]:	1:1
	Torque max [Nm]:	20
	Rotation max [1/min]:	6000
	Rotating direction:	opposite
	Coolant:	EXT
	Please note:	Note swivel range
	Center distance [mm]:	34
<b>8 053 34 014</b>	<b>Multispindle radial head ER 16 AX UT</b>	
	Weight [kg]:	9.860
	Employment for:	Main spindle
	Version:	2-spindles
	Tool drive:	Flat (~DIN 1809)
	Shank size [mm]:	32.00
	Shank type:	BMT
	Tool adaption:	ER 16 A - u-tec
	Gear ratio [i]:	1:2
	Torque max [Nm]:	25/Sp.
	Rotation max [1/min]:	12000
	Rotating direction:	same
	Coolant:	EXT
	Please note:	Check applicability
	Center distance [mm]:	55
<b>8 202 20 013</b>	<b>Basic holder longitudinal seat FN 12</b>	
	Weight [kg]:	1.750
	Shank type:	BMT
	Machine adaption:	Centering key slot b 25
	Tool adaption:	Interface FN 12
	Coolant:	EXT
	Center distance [mm]:	7
<b>8 224 25 000</b>	<b>Universal turning holder sq. 25</b>	
	Weight [kg]:	3.560
	Shank type:	BMT
	Machine adaption:	Centering key slot b 25
	Tool adaption:	Sq. 25
	Coolant:	EXT
<b>8 224 25 001</b>	<b>Universal turning holder sq. 25</b>	
	Weight [kg]:	4.760
	Shank type:	BMT
	Machine adaption:	Centering key slot b 25
	Tool adaption:	Sq. 25
		Sq. 25
	Coolant:	EXT
	Please note:	long version

Part-#	Name	
<b>8 240 29 002</b>	<b>Boring bar holder Ø 40</b>	
	Weight [kg]:	3.920
	Shank type:	BMT
	Machine adaption:	Centering key slot b 25
	Tool adaption:	Ø 40
	Coolant:	IC/Ext
	Center distance [mm]:	40
<b>8 240 29 007</b>	<b>Boring bar holder Ø 40</b>	
	Weight [kg]:	6.180
	Version:	long
	Shank type:	BMT
	Machine adaption:	Centering key slot b 25
	Tool adaption:	Ø 40
	Coolant:	IC/Ext
	Center distance [mm]:	40
<b>8 240 29 021</b>	<b>Boring bar holder Ø 50</b>	
	Weight [kg]:	5.330
	Version:	long version
	Shank type:	BMT
	Machine adaption:	Centering key slot b 25
	Tool adaption:	Ø 50
	Coolant:	IC/Ext
	Center distance [mm]:	40
<b>8 244 25 000</b>	<b>Combi facing holder sq. 25</b>	
	Weight [kg]:	5.900
	Shank type:	BMT
	Machine adaption:	Centering key slot b 25
	Tool adaption:	Sq. 25
	Coolant:	EXT
	Please note:	long version
<b>8 251 25 002</b>	<b>Combi double turning holder sq. 25</b>	
	Weight [kg]:	5.290
	Shank type:	BMT
	Machine adaption:	Centering key slot b 25
	Tool adaption:	Sq. 25 Sq. 25
	Coolant:	EXT
<b>8 253 28 001</b>	<b>Double boring bar holder Ø 32</b>	
	Weight [kg]:	5.680
	Employment for:	Main- and sub spindle
	Shank type:	BMT
	Machine adaption:	Centering key slot b 25
	Tool adaption:	Ø 32 Ø 32
	Coolant:	IC/Ext
	Center distance [mm]:	40/85

Part-#	Name	
<b>8 253 28 006</b>	<b>Double boring bar holder Ø 1 1/4"</b>	
	Weight [kg]:	5.710
	Employment for:	Main- and sub spindle
	Shank type:	BMT
	Machine adaption:	Centering key slot b 25
	Tool adaption:	Ø 1 1/4" (31,75mm)
		Ø 1 1/4" (31,75mm)
	Coolant:	IC/Ext
	Center distance [mm]:	40/85
<b>8 253 28 009</b>	<b>Multiple boring bar holder Ø 32</b>	
	Weight [kg]:	7.930
	Employment for:	Main- and sub spindle
	Version:	double spindle
	Shank type:	BMT
	Machine adaption:	Centering key slot b 25
	Tool adaption:	Ø 32
		Ø 32
		Ø 32
		Ø 32
	Coolant:	IC/Ext
	Center distance [mm]:	40/ 85



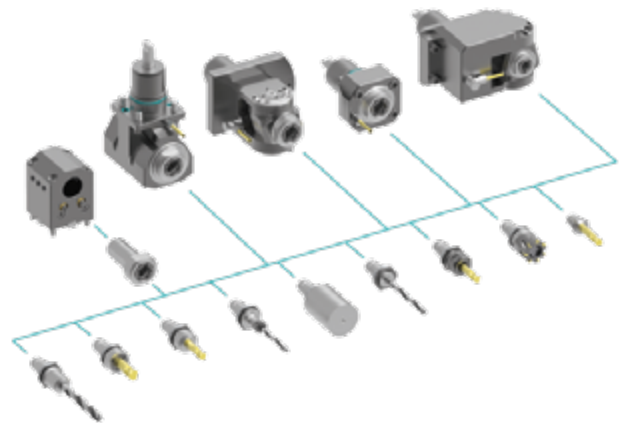
## heimatec.u-tec®

heimatec.com

Products / Tool change systems /  
u-tec® Tool-changing system



versions see catalog



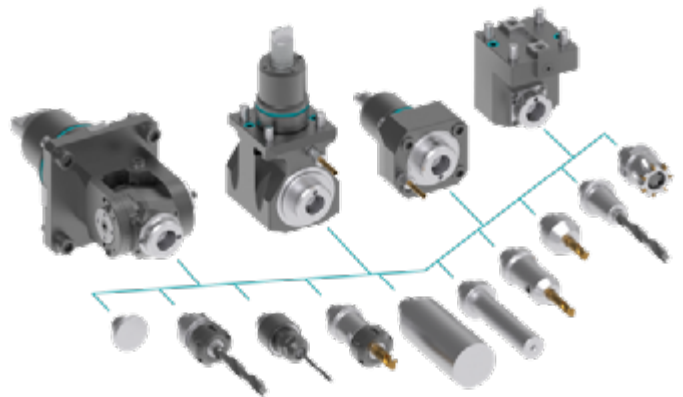
## heimatec.easy-quick

heimatec.com

Products / Tool change systems /  
easy-quick HT quick-changing system



versions see catalog



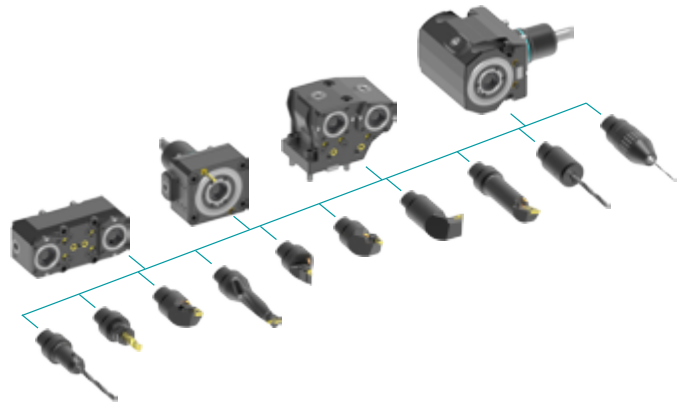
## heimatec.Capto™

heimatec.com

Products / Tool change systems /  
heimatec.Capto™ quick-changing system



versions see catalog



## heimatec.accessories

heimatec.com

Products / Accessories



versions see catalog





● heimatec overseas branches

○ global representations of heimatec

**heimatec**<sup>®</sup>

**heimatec GmbH**  
Präzisionswerkzeuge  
Carl-Benz-Str. 4  
77871 Renchen  
Germany

T +49 7843 9466 0  
[www.heimatec.com](http://www.heimatec.com)  
[info@heimatec.com](mailto:info@heimatec.com)

Please find the contact details of our worldwide trading partners on our website:  
<https://heimatec.com/business-partners>