

Mori Seiki

ZL 154

MC/SMC/Y/SY



High-tech from heimatec - heimatec - Tools and systems for productive turning and milling

heimatec belongs to the international technology and quality leaders for precision tools and specializes in the development and production of high-precision static and live tools for all CNC lathes, CNC turn-/mill machines and CNC machining centers.

The range of products* spans from static BMT and VDI tool holders, live tools up to highly complex customer-specific individual solutions. heimatec, headquartered in Renchen, has a own subsidiary in Asia and India and numerous representatives as well as trading partners all over the world.

*OUR PRODCUTS

Static tool holders

Live tool units

Precision tools

Tools for turning and machining centres

Tools for swiss type lathes

Tool changing and uick-change systems

Tool systems for gear production

Digital tool management

This catalogue, including all its parts, is protected by copyright. Any use outside the restricted limitations of the Copyright Act without the consent of heimatec is inadmissible and liable to prosecution. This applies in particular to duplication, translation, microfilming and storage and processing in electronic systems.

heimatec GmbH reserves the right to make technical changes at any time without giving prior notice. This applies in particular to adjustments at any time to meet new or changed international standards, or in case of further developments of our products or manufacturing processes.

The current version of our General Terms and Conditions can be found on our website.

Part-#	Name	
8 010 35 000	Axial drilling and milling head ER 25	
	Weight [kg]:	3.820
	Tool drive:	Flat (~DIN 1809)
	Shank size [mm]:	32.00
	Shank type:	BMT
	Tool adaption:	ER 25
	Gear ratio [i]:	1:1
	Torque max [Nm]:	50
	Rotation max [1/min]:	6000
	Rotating direction:	same
	Coolant:	EXT
	Please note:	stronger bearing
8 010 35 001	Axial drilling and milling head ER 25 IC	
	Weight [kg]:	3.820
	Tool drive:	Flat (~DIN 1809)
	Shank size [mm]:	32.00
	Shank type:	BMT
	Tool adaption:	ER 25
	Gear ratio [i]:	1:1
	Torque max [Nm]:	50
	Rotation max [1/min]:	6000
	Rotating direction:	same
	Coolant:	IC/Ext
	Pressure max [bar]:	25
	Please note:	stronger bearing
8 013 34 000	Axial drilling and milling head ER 16 AS	
	Tool drive:	Flat (~DIN 1809)
	Shank size [mm]:	32.00
	Shank type:	BMT
	Tool adaption:	ER 16 A
	Gear ratio [i]:	1:2
	Torque max [Nm]:	6
	Rotation max [1/min]:	8000
	Rotating direction:	same
	Coolant:	EXT
8 013 34 002	Axial drilling and milling head ER 16 AX UT	
	Tool drive:	Flat (~DIN 1809)
	Shank size [mm]:	32.00
	Shank type:	BMT
	Tool adaption:	ER 16 A
	Gear ratio [i]:	1:4
	Torque max [Nm]:	3
	Rotation max [1/min]:	16000
	Rotating direction:	same
	Coolant:	EXT
8 030 35 002	Radial drilling and milling head ER 25	
	Weight [kg]:	6.900
	Employment for:	Main spindle (front operation)
	Tool drive:	Flat (~DIN 1809)
	Shank size [mm]:	32.00
	Shank type:	BMT
	Tool adaption:	ER 25
	Gear ratio [i]:	1:1
	Torque max [Nm]:	16

Part-#	Name	
	Rotation max [1/min]:	6000
	Rotating direction:	opposite
	Coolant:	EXT
	Please note:	Machine: Mori Seiki, SL 154 MC/SMC/Y/SY
	Center distance [mm]:	67,5
8 030 35 003	Radial drilling and milling head ER 25	
	Weight [kg]:	7.300
	Employment for:	Sub spindle
	Tool drive:	Flat (~DIN 1809)
	Shank size [mm]:	32.00
	Shank type:	BMT
	Tool adaption:	ER 25
	Gear ratio [i]:	1:1
	Torque max [Nm]:	16
	Rotation max [1/min]:	6000
	Rotating direction:	same
	Coolant:	EXT
	Center distance [mm]:	67,5
8 030 35 006	Radial drilling and milling head ER 25 IC	
	Employment for:	Main spindle (front operation)
	Tool drive:	Flat (~DIN 1809)
	Shank size [mm]:	32.00
	Shank type:	BMT
	Tool adaption:	ER 25
	Gear ratio [i]:	1:1
	Torque max [Nm]:	16
	Rotation max [1/min]:	6000
	Rotating direction:	opposite
	Coolant:	IC/Ext
	Pressure max [bar]:	140
	Please note:	Machine: Mori Seiki, SL 154 MC/SMC/Y/SY
	Center distance [mm]:	67,5
8 031 34 000	Radial polygon head arbor 16	
	Tool drive:	Flat (~DIN 1809)
	Shank size [mm]:	32.00
	Shank type:	BMT
	Tool adaption:	Arbor 16
	Gear ratio [i]:	1:1
	Torque max [Nm]:	16
	Rotation max [1/min]:	4000
	Rotating direction:	opposite
	Coolant:	EXT
8 039 35 000	Radial drilling and milling head ER 25	
	Weight [kg]:	7.650
	Version:	double spindle
	Tool drive:	Flat (~DIN 1809)
	Shank size [mm]:	32.00
	Shank type:	BMT
	Tool adaption:	ER 25
	Gear ratio [i]:	1:1
	Torque max [Nm]:	16
	Rotation max [1/min]:	6000
	Rotating direction:	opposite
	Coolant:	EXT

Part-#	Name	
	Center distance [mm]:	67,5
8 040 34 001	Universal head + 90°/-72° adj. ER16	
	Weight [kg]:	3.780
	Tool drive:	Flat (~DIN 1809)
	Shank size [mm]:	32.00
	Shank type:	BMT
	Tool adaption:	ER 16
	Gear ratio [i]:	1:1
	Torque max [Nm]:	10
	Rotation max [1/min]:	5000
	Rotating direction:	same
	Coolant:	EXT
	Please note:	Note swivel range
8 040 34 004	Universal head + 90°/-72° adj. ER20	
	Weight [kg]:	3.860
	Version:	Special
	Tool drive:	Flat (~DIN 1809)
	Shank size [mm]:	32.00
	Shank type:	BMT
	Tool adaption:	ER 20
	Gear ratio [i]:	1:1
	Torque max [Nm]:	10
	Rotation max [1/min]:	5000
	Rotating direction:	same
	Coolant:	EXT
	Please note:	Note swivel range
8 202 10 015	Basic holder longitudinal seat FN 12	
	Weight [kg]:	0.920
	Notation:	180° reversible
	Shank type:	BMT
	Machine adaption:	Centering key slot b 20
	Tool adaption:	Interface FN 12
	Coolant:	EXT
	Center distance [mm]:	15,5
8 240 18 014	Boring bar holder Ø 32	
	Weight [kg]:	2.340
	Shank type:	BMT
	Machine adaption:	Centering key slot b 20
	Tool adaption:	Ø 32
	Coolant:	IC/Ext
	Center distance [mm]:	35
8 240 18 015	Boring bar holder Ø 32	
	Weight [kg]:	2.500
	Shank type:	BMT
	Machine adaption:	Centering key slot b 20
	Tool adaption:	Ø 32
	Coolant:	IC/Ext
	Please note:	Special version

Mori Seiki
ZL 154 MC/SMC/Y/SY

Part-#	Name	
8 251 14 003	Combi double turning holder sq. 20	
	Weight [kg]:	3.600
	Employment for:	Main- and sub spindle
	Shank type:	BMT
	Machine adaption:	Centering key slot b 20
	Tool adaption:	Sq. 20
		Sq. 20
		Sq. 20
		Sq. 20
	Coolant:	EXT
8 253 17 011	Double boring bar holder Ø 25	
	Weight [kg]:	3.630
	Shank type:	BMT
	Machine adaption:	Centering key slot b 20
	Tool adaption:	Ø 25
		Ø 25
	Coolant:	IC/Ext
	Center distance [mm]:	35/75

heimatec.u-tec®

heimatec.com

Products / Tool change systems /
u-tec® Tool-changing system



versions see catalog



heimatec.easy-quick

heimatec.com

Products / Tool change systems /
easy-quick HT quick-changing system



versions see catalog



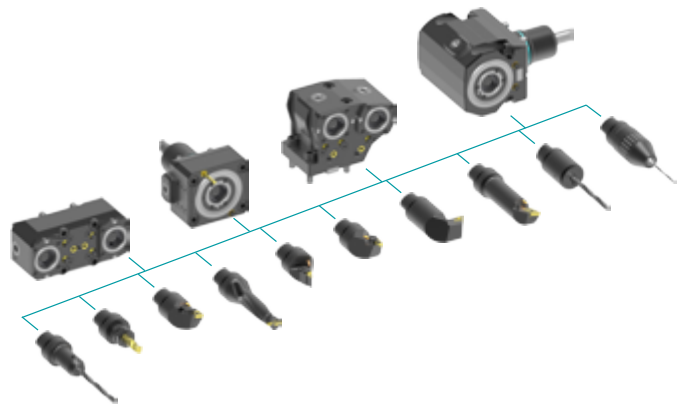
heimatec.Capto™

heimatec.com

Products / Tool change systems /
heimatec.Capto™ quick-changing system



versions see catalog



heimatec.accessories

heimatec.com

Products / Accessories



versions see catalog





● heimatec overseas branches

○ global representations of heimatec

heimatec[®]

heimatec GmbH
Präzisionswerkzeuge
Carl-Benz-Str. 4
77871 Renchen
Germany

T +49 7843 9466 0
www.heimatec.com
info@heimatec.com

Please find the contact details of our worldwide trading partners on our website:
<https://heimatec.com/business-partners>