

Mazak

MP 615 N



High-tech from heimatec - heimatec - Tools and systems for productive turning and milling

heimatec belongs to the international technology and quality leaders for precision tools and specializes in the development and production of high-precision static and live tools for all CNC lathes, CNC turn-/mill machines and CNC machining centers.

The range of products* spans from static BMT and VDI tool holders, live tools up to highly complex customer-specific individual solutions. heimatec, headquartered in Renchen, has a own subsidiary in Asia and India and numerous representatives as well as trading partners all over the world.

*OUR PRODCUTS

Static tool holders

Live tool units

Precision tools

Tools for turning and machining centres

Tools for swiss type lathes

Tool changing and uick-change systems

Tool systems for gear production

Digital tool management

This catalogue, including all its parts, is protected by copyright. Any use outside the restricted limitations of the Copyright Act without the consent of heimatec is inadmissible and liable to prosecution. This applies in particular to duplication, translation, microfilming and storage and processing in electronic systems.

heimatec GmbH reserves the right to make technical changes at any time without giving prior notice. This applies in particular to adjustments at any time to meet new or changed international standards, or in case of further developments of our products or manufacturing processes.

The current version of our General Terms and Conditions can be found on our website.

Part-#	Name	
8 010 44 006	Axial drilling and milling head Weldon 10 IC	
	Tool drive:	Flat (~DIN 1809)
	Shank size [mm]:	40.00
	Shank type:	VDI
	Tool adaption:	Weldon (DIN 1835 b) 10
	Gear ratio [i]:	1:1
	Torque max [Nm]:	50
	Rotation max [1/min]:	6000
	Rotating direction:	same
	Coolant:	IC/Ext
	Pressure max [bar]:	25
8 010 44 007	Axial drilling and milling head Weldon 12 IC	
	Tool drive:	Flat (~DIN 1809)
	Shank size [mm]:	40.00
	Shank type:	VDI
	Tool adaption:	Weldon (DIN 1835 b) 12
	Gear ratio [i]:	1:1
	Torque max [Nm]:	50
	Rotation max [1/min]:	6000
	Rotating direction:	same
	Coolant:	IC/Ext
	Pressure max [bar]:	25
8 010 44 008	Axial drilling and milling head Weldon 14 IC	
	Tool drive:	Flat (~DIN 1809)
	Shank size [mm]:	40.00
	Shank type:	VDI
	Tool adaption:	Weldon (DIN 1835 b) 14
	Gear ratio [i]:	1:1
	Torque max [Nm]:	50
	Rotation max [1/min]:	6000
	Rotating direction:	same
	Coolant:	IC/Ext
	Pressure max [bar]:	25
8 010 45 023	Axial drilling and milling head ER 25	
	Weight [kg]:	3.800
	Tool drive:	Flat (~DIN 1809)
	Shank size [mm]:	40.00
	Shank type:	VDI
	Tool adaption:	ER 25
	Gear ratio [i]:	1:1
	Torque max [Nm]:	50
	Rotation max [1/min]:	6000
	Rotating direction:	same
	Coolant:	EXT
8 010 45 030	Axial drilling and milling head Weldon 16 IC	
	Tool drive:	Flat (~DIN 1809)
	Shank size [mm]:	40.00
	Shank type:	VDI
	Tool adaption:	Weldon (DIN 1835 b) 16
	Gear ratio [i]:	1:1
	Torque max [Nm]:	50
	Rotation max [1/min]:	6000
	Rotating direction:	same
	Coolant:	IC/Ext

Part-#	Name	
	Pressure max [bar]:	25
8 010 46 120	Axial drilling and milling head HT 4	
	Weight [kg]:	3.720
	Tool drive:	Flat (~DIN 1809)
	Shank size [mm]:	40.00
	Shank type:	VDI
	Tool adaption:	HT 4
	Gear ratio [i]:	1:1
	Torque max [Nm]:	50
	Rotation max [1/min]:	6000
	Rotating direction:	same
	Coolant:	EXT
8 011 45 006	Axial milling head universal arbor 22	
	Weight [kg]:	3.860
	Tool drive:	Flat (~DIN 1809)
	Shank size [mm]:	40.00
	Shank type:	VDI
	Tool adaption:	Universal arbor 22
	Gear ratio [i]:	1:1
	Torque max [Nm]:	50
	Rotation max [1/min]:	6000
	Rotating direction:	same
	Coolant:	EXT
8 019 42 002	Axial drilling and milling head Weldon 6	
	Notation:	offset
	Tool drive:	Flat (~DIN 1809)
	Shank size [mm]:	40.00
	Shank type:	VDI
	Tool adaption:	Weldon (DIN 1835 b) 6
	Gear ratio [i]:	1:1
	Torque max [Nm]:	50
	Rotation max [1/min]:	6000
	Rotating direction:	opposite
	Coolant:	EXT
	Offset [mm]:	50
8 019 45 029	Axial drilling and milling head ER 25 AX UT	
	Weight [kg]:	6.720
	Notation:	offset
	Tool drive:	Flat (~DIN 1809)
	Shank size [mm]:	40.00
	Shank type:	VDI
	Tool adaption:	ER 25 A - u-tec
	Gear ratio [i]:	1:2
	Torque max [Nm]:	40
	Rotation max [1/min]:	12000
	Rotating direction:	opposite
	Coolant:	EXT
	Offset [mm]:	50

Part-#	Name	
8 019 45 041	Axial milling head universal arbor 22	
	Notation:	offset
	Tool drive:	Flat (~DIN 1809)
	Shank size [mm]:	40.00
	Shank type:	VDI
	Tool adaption:	Universal arbor 22
	Gear ratio [i]:	2:1
	Torque max [Nm]:	80
	Rotation max [1/min]:	3000
	Rotating direction:	opposite
	Coolant:	EXT
	Please note:	stronger bearing
	Offset [mm]:	50
8 019 45 113	Axial drilling and milling head ER 25 AX UT IC	
	Weight [kg]:	6.780
	Notation:	offset
	Tool drive:	Flat (~DIN 1809)
	Shank size [mm]:	40.00
	Shank type:	VDI
	Tool adaption:	ER 25 A - u-tec
	Gear ratio [i]:	1:2
	Torque max [Nm]:	25
	Rotation max [1/min]:	12000
	Rotating direction:	opposite
	Coolant:	IC/Ext
	Pressure max [bar]:	140
	Offset [mm]:	50
8 019 45 118	Axial drilling and milling head ER 25 AX UT IC	
	Weight [kg]:	6.640
	Notation:	offset
	Tool drive:	Flat (~DIN 1809)
	Shank size [mm]:	40.00
	Shank type:	VDI
	Tool adaption:	ER 25 A - u-tec
	Gear ratio [i]:	1:1
	Torque max [Nm]:	50
	Rotation max [1/min]:	6000
	Rotating direction:	opposite
	Coolant:	IC/Ext
	Pressure max [bar]:	140
	Offset [mm]:	50
8 019 45 125	Axial drilling and milling head ER 25 AX UT	
	Weight [kg]:	6.540
	Notation:	offset
	Tool drive:	Flat (~DIN 1809)
	Shank size [mm]:	40.00
	Shank type:	VDI
	Tool adaption:	ER 25 A - u-tec
	Gear ratio [i]:	1:1
	Torque max [Nm]:	50
	Rotation max [1/min]:	6000
	Rotating direction:	opposite
	Coolant:	EXT
	Offset [mm]:	50

Part-#	Name	
8 019 45 161	Axial drilling and milling head ER 25 AX UT	
	Weight [kg]:	6.640
	Notation:	offset
	Tool drive:	Flat (~DIN 1809)
	Shank size [mm]:	40.00
	Shank type:	VDI
	Tool adaption:	ER 25 A - u-tec
	Gear ratio [i]:	1:3
	Torque max [Nm]:	16
	Rotation max [1/min]:	15000
	Rotating direction:	opposite
	Coolant:	EXT
	Offset [mm]:	50
8 019 46 021	Axial drilling and milling head Weldon 20 IC	
	Notation:	offset
	Tool drive:	Flat (~DIN 1809)
	Shank size [mm]:	40.00
	Shank type:	VDI
	Tool adaption:	Weldon (DIN 1835 b) 20
	Gear ratio [i]:	2:1
	Torque max [Nm]:	80
	Rotation max [1/min]:	3000
	Rotating direction:	opposite
	Coolant:	IC/Ext
	Pressure max [bar]:	25
	Please note:	stronger bearing
	Offset [mm]:	50
8 019 46 053	Axial drilling and milling head HT 4	
	Weight [kg]:	5.200
	Notation:	offset
	Tool drive:	Flat (~DIN 1809)
	Shank size [mm]:	40.00
	Shank type:	VDI
	Tool adaption:	HT 4
	Gear ratio [i]:	1:1
	Torque max [Nm]:	50
	Rotation max [1/min]:	6000
	Rotating direction:	opposite
	Coolant:	EXT
	Offset [mm]:	50
8 019 46 065	Axial drilling and milling head HT 4 IC	
	Weight [kg]:	6.840
	Notation:	offset
	Tool drive:	Flat (~DIN 1809)
	Shank size [mm]:	40.00
	Shank type:	VDI
	Tool adaption:	HT 4
	Gear ratio [i]:	1:1
	Torque max [Nm]:	50
	Rotation max [1/min]:	6000
	Rotating direction:	opposite
	Coolant:	IC/Ext
	Pressure max [bar]:	140
	Please note:	stronger bearing
	Offset [mm]:	50

Part-#	Name	
8 019 46 112	Axial drilling and milling head ER 32 AX UT	
	Weight [kg]:	6.640
	Notation:	offset
	Tool drive:	Flat (~DIN 1809)
	Shank size [mm]:	40.00
	Shank type:	VDI
	Tool adaption:	ER 32 A - u-tec
	Gear ratio [i]:	1:1
	Torque max [Nm]:	50
	Rotation max [1/min]:	6000
	Rotating direction:	opposite
	Coolant:	EXT
	Please note:	stronger bearing
	Offset [mm]:	50
8 019 46 142	Axial drilling and milling head ER 32 AX UT IC	
	Weight [kg]:	6.700
	Notation:	offset
	Tool drive:	Flat (~DIN 1809)
	Shank size [mm]:	40.00
	Shank type:	VDI
	Tool adaption:	ER 32 A - u-tec
	Gear ratio [i]:	1:1
	Torque max [Nm]:	50
	Rotation max [1/min]:	6000
	Rotating direction:	opposite
	Coolant:	IC/Ext
	Pressure max [bar]:	140
	Please note:	stronger bearing
	Offset [mm]:	50
8 019 46 198	Axial drilling and milling head C 4 IC	
	Weight [kg]:	7.580
	Notation:	offset
	Employment for:	Main spindle
	Tool drive:	Flat (~DIN 1809)
	Shank size [mm]:	40.00
	Shank type:	VDI
	Tool adaption:	heimatec Capto(TM) C 4
	Gear ratio [i]:	1:1
	Torque max [Nm]:	50
	Rotation max [1/min]:	6000
	Rotating direction:	opposite
	Coolant:	IC/Ext
	Pressure max [bar]:	140
	Offset [mm]:	50
8 030 43 005	Radial drilling and milling head Weldon 8 IC	
	Tool drive:	Flat (~DIN 1809)
	Shank size [mm]:	40.00
	Shank type:	VDI
	Tool adaption:	Weldon (DIN 1835 b) 8
	Gear ratio [i]:	1:1
	Torque max [Nm]:	50
	Rotation max [1/min]:	6000
	Rotating direction:	opposite
	Coolant:	IC/Ext
	Pressure max [bar]:	25

Part-#	Name	
	Center distance [mm]:	115
8 030 44 009	Radial drilling and milling head Weldon 10 IC	
	Tool drive:	Flat (~DIN 1809)
	Shank size [mm]:	40.00
	Shank type:	VDI
	Tool adaption:	Weldon (DIN 1835 b) 10
	Gear ratio [i]:	1:1
	Torque max [Nm]:	50
	Rotation max [1/min]:	6000
	Rotating direction:	opposite
	Coolant:	IC/Ext
	Pressure max [bar]:	25
	Center distance [mm]:	115
8 030 44 010	Radial drilling and milling head Weldon 12 IC	
	Tool drive:	Flat (~DIN 1809)
	Shank size [mm]:	40.00
	Shank type:	VDI
	Tool adaption:	Weldon (DIN 1835 b) 12
	Gear ratio [i]:	1:1
	Torque max [Nm]:	50
	Rotation max [1/min]:	6000
	Rotating direction:	opposite
	Coolant:	IC/Ext
	Pressure max [bar]:	25
	Center distance [mm]:	115
8 030 44 011	Radial drilling and milling head Weldon 14 IC	
	Tool drive:	Flat (~DIN 1809)
	Shank size [mm]:	40.00
	Shank type:	VDI
	Tool adaption:	Weldon (DIN 1835 b) 14
	Gear ratio [i]:	1:1
	Torque max [Nm]:	50
	Rotation max [1/min]:	6000
	Rotating direction:	opposite
	Coolant:	IC/Ext
	Pressure max [bar]:	25
	Center distance [mm]:	115
8 030 45 032	Radial drilling and milling head ER 25	
	Weight [kg]:	7.520
	Tool drive:	Flat (~DIN 1809)
	Shank size [mm]:	40.00
	Shank type:	VDI
	Tool adaption:	ER 25
	Gear ratio [i]:	1:1
	Torque max [Nm]:	50
	Rotation max [1/min]:	6000
	Rotating direction:	opposite
	Coolant:	EXT
	Center distance [mm]:	115

Part-#	Name	
8 030 45 041	Radial drilling and milling head ER 25 IC	
	Weight [kg]:	8.600
	Tool drive:	Flat (~DIN 1809)
	Shank size [mm]:	40.00
	Shank type:	VDI
	Tool adaption:	ER 25
	Gear ratio [i]:	1:1
	Torque max [Nm]:	50
	Rotation max [1/min]:	6000
	Rotating direction:	opposite
	Coolant:	IC/Ext
	Pressure max [bar]:	25
	Center distance [mm]:	115
8 030 45 046	Radial drilling and milling head ER 25	
	Tool drive:	Flat (~DIN 1809)
	Shank size [mm]:	40.00
	Shank type:	VDI
	Tool adaption:	ER 25
	Gear ratio [i]:	2:1
	Torque max [Nm]:	63
	Rotation max [1/min]:	4000
	Rotating direction:	opposite
	Coolant:	EXT
	Center distance [mm]:	115
8 030 45 049	Radial drilling and milling head ER 25	
	Weight [kg]:	7.930
	Tool drive:	Flat (~DIN 1809)
	Shank size [mm]:	40.00
	Shank type:	VDI
	Tool adaption:	ER 25
	Gear ratio [i]:	1:2
	Torque max [Nm]:	16
	Rotation max [1/min]:	12000
	Rotating direction:	opposite
	Coolant:	EXT
	Center distance [mm]:	115
8 030 45 055	Radial drilling and milling head Weldon 16 IC	
	Tool drive:	Flat (~DIN 1809)
	Shank size [mm]:	40.00
	Shank type:	VDI
	Tool adaption:	Weldon (DIN 1835 b) 16
	Gear ratio [i]:	1:1
	Torque max [Nm]:	50
	Rotation max [1/min]:	6000
	Rotating direction:	opposite
	Coolant:	IC/Ext
	Pressure max [bar]:	25
	Please note:	stronger bearing
	Center distance [mm]:	115

Part-#	Name	
8 030 45 062	Radial drilling and milling head ER 25 AC IC	
	Weight [kg]:	8.680
	Tool drive:	Flat (~DIN 1809)
	Shank size [mm]:	40.00
	Shank type:	VDI
	Tool adaption:	ER 25
	Gear ratio [i]:	1:2
	Torque max [Nm]:	16
	Rotation max [1/min]:	12000
	Rotating direction:	opposite
	Coolant:	IC
	Pressure max [bar]:	60
	Please note:	High pressure version
8 030 45 063	Radial drilling and milling head ER 25 IC	
	Tool drive:	Flat (~DIN 1809)
	Shank size [mm]:	40.00
	Shank type:	VDI
	Tool adaption:	ER 25
	Gear ratio [i]:	1:2
	Torque max [Nm]:	16
	Rotation max [1/min]:	12000
	Rotating direction:	opposite
	Coolant:	IC/Ext
	Pressure max [bar]:	25
8 030 45 117	Radial drilling and milling head Weldon 16	
	Tool drive:	Flat (~DIN 1809)
	Shank size [mm]:	40.00
	Shank type:	VDI
	Tool adaption:	Weldon (DIN 1835 b) 16
	Gear ratio [i]:	1:1
	Torque max [Nm]:	50
	Rotation max [1/min]:	6000
	Rotating direction:	opposite
	Coolant:	EXT
	Please note:	stronger bearing
	Center distance [mm]:	115
8 030 45 123	Radial drilling and milling head ER 25 IC	
	Tool drive:	Flat (~DIN 1809)
	Shank size [mm]:	40.00
	Shank type:	VDI
	Tool adaption:	ER 25
	Gear ratio [i]:	1:3
	Torque max [Nm]:	15
	Rotation max [1/min]:	15000
	Rotating direction:	opposite
	Coolant:	IC/Ext
	Pressure max [bar]:	25
	Center distance [mm]:	115

Part-#	Name
8 030 45 191	Radial drilling and milling head ER 25 AX UT IC
	Weight [kg]: 7.960
	Tool drive: Flat (~DIN 1809)
	Shank size [mm]: 40.00
	Shank type: VDI
	Tool adaption: ER 25 A - u-tec
	Gear ratio [i]: 1:1
	Torque max [Nm]: 50
	Rotation max [1/min]: 6000
	Rotating direction: opposite
	Coolant: IC/Ext
	Pressure max [bar]: 140
	Center distance [mm]: 115
8 030 45 217	Radial drilling and milling head ER 25 AX UT
	Weight [kg]: 7.380
	Tool drive: Flat (~DIN 1809)
	Shank size [mm]: 40.00
	Shank type: VDI
	Tool adaption: ER 25 A - u-tec
	Gear ratio [i]: 1:1
	Torque max [Nm]: 50
	Rotation max [1/min]: 6000
	Rotating direction: opposite
	Coolant: EXT
	Center distance [mm]: 115
8 030 45 282	Radial drilling and milling head ER 25 AX UT
	Tool drive: Flat (~DIN 1809)
	Shank size [mm]: 40.00
	Shank type: VDI
	Tool adaption: ER 25 A - u-tec
	Gear ratio [i]: 1:3
	Torque max [Nm]: 12
	Rotation max [1/min]: 15000
	Rotating direction: same
	Coolant: EXT
	Please note: stronger bearing
	Center distance [mm]: 115
8 030 45 293	Radial drilling and milling head ER 25 AX UT IC
	Weight [kg]: 7.990
	Employment for: Main spindle
	Tool drive: Flat (~DIN 1809)
	Shank size [mm]: 40.00
	Shank type: VDI
	Tool adaption: ER 25 u-tec
	Gear ratio [i]: 1:3
	Torque max [Nm]: 12
	Rotation max [1/min]: 15000
	Rotating direction: same
	Coolant: IC/Ext
	Pressure max [bar]: 140
	Please note: stronger bearing
	Center distance [mm]: 115

Part-#	Name	
8 030 45 294	Radial drilling and milling head ER 25 AX UT	
	Weight [kg]:	7.750
	Tool drive:	Flat (~DIN 1809)
	Shank size [mm]:	40.00
	Shank type:	VDI
	Tool adaption:	ER 25 A - u-tec
	Gear ratio [i]:	1:2
	Torque max [Nm]:	16
	Rotation max [1/min]:	12000
	Rotating direction:	same
	Coolant:	EXT
	Please note:	stronger bearing
	Center distance [mm]:	115
8 030 45 295	Radial drilling and milling head ER 25 AX UT IC	
	Weight [kg]:	7.970
	Tool drive:	Flat (~DIN 1809)
	Shank size [mm]:	40.00
	Shank type:	VDI
	Tool adaption:	ER 25 A - u-tec
	Gear ratio [i]:	1:2
	Torque max [Nm]:	16
	Rotation max [1/min]:	12000
	Rotating direction:	same
	Coolant:	IC
	Pressure max [bar]:	140
	Please note:	stronger bearing
	Center distance [mm]:	115
8 030 46 080	Radial drilling and milling head ER 32	
	Weight [kg]:	7.580
	Tool drive:	Flat (~DIN 1809)
	Shank size [mm]:	40.00
	Shank type:	VDI
	Tool adaption:	ER 32
	Gear ratio [i]:	1:1
	Torque max [Nm]:	50
	Rotation max [1/min]:	6000
	Rotating direction:	opposite
	Coolant:	EXT
	Center distance [mm]:	115
8 030 46 092	Radial drilling and milling head Weldon 20 IC	
	Tool drive:	Flat (~DIN 1809)
	Shank size [mm]:	40.00
	Shank type:	VDI
	Tool adaption:	Weldon (DIN 1835 b) 20
	Gear ratio [i]:	1:1
	Torque max [Nm]:	50
	Rotation max [1/min]:	6000
	Rotating direction:	opposite
	Coolant:	IC/Ext
	Pressure max [bar]:	25
	Please note:	stronger bearing
	Center distance [mm]:	115

Part-#	Name	
8 030 46 184	Radial drilling and milling head HT 4	
	Weight [kg]:	7.450
	Tool drive:	Flat (~DIN 1809)
	Shank size [mm]:	40.00
	Shank type:	VDI
	Tool adaption:	HT 4
	Gear ratio [i]:	1:1
	Torque max [Nm]:	50
	Rotation max [1/min]:	6000
	Rotating direction:	opposite
	Coolant:	EXT
	Center distance [mm]:	115
8 030 46 185	Radial drilling and milling head HT 4 IC	
	Weight [kg]:	7.990
	Tool drive:	Flat (~DIN 1809)
	Shank size [mm]:	40.00
	Shank type:	VDI
	Tool adaption:	HT 4
	Gear ratio [i]:	1:1
	Torque max [Nm]:	50
	Rotation max [1/min]:	6000
	Rotating direction:	opposite
	Coolant:	IC/Ext
	Pressure max [bar]:	140
	Center distance [mm]:	115
8 030 46 190	Radial drilling and milling head Weldon 20	
	Tool drive:	Flat (~DIN 1809)
	Shank size [mm]:	40.00
	Shank type:	VDI
	Tool adaption:	Weldon (DIN 1835 b) 20
	Gear ratio [i]:	1:1
	Torque max [Nm]:	50
	Rotation max [1/min]:	6000
	Rotating direction:	opposite
	Coolant:	EXT
	Please note:	with stronger bearing
	Center distance [mm]:	115
8 030 46 314	Radial drilling and milling head ER 32 AX UT	
	Weight [kg]:	7.400
	Tool drive:	Flat (~DIN 1809)
	Shank size [mm]:	40.00
	Shank type:	VDI
	Tool adaption:	ER 32 A - u-tec
	Gear ratio [i]:	1:1
	Torque max [Nm]:	50
	Rotation max [1/min]:	6000
	Rotating direction:	opposite
	Coolant:	EXT
	Center distance [mm]:	115

Part-#	Name
8 030 46 390	Radial drilling and milling head ER 32 AX UT IC
	Weight [kg]: 7.890
	Tool drive: Flat (~DIN 1809)
	Shank size [mm]: 40.00
	Shank type: VDI
	Tool adaption: ER 32 A - u-tec
	Gear ratio [i]: 1:1
	Torque max [Nm]: 50
	Rotation max [1/min]: 6000
	Rotating direction: opposite
	Coolant: IC/Ext
	Pressure max [bar]: 140
	Center distance [mm]: 115
8 030 47 047	Radial drilling and milling head HT 5
	Tool drive: Flat (~DIN 1809)
	Shank size [mm]: 40.00
	Shank type: VDI
	Tool adaption: HT 5
	Gear ratio [i]: 1:1
	Torque max [Nm]: 50
	Rotation max [1/min]: 6000
	Rotating direction: opposite
	Coolant: EXT
	Center distance [mm]: 115
8 030 47 048	Radial drilling and milling head HT 5 IC
	Tool drive: Flat (~DIN 1809)
	Shank size [mm]: 40.00
	Shank type: VDI
	Tool adaption: HT 5
	Gear ratio [i]: 1:1
	Torque max [Nm]: 50
	Rotation max [1/min]: 6000
	Rotating direction: opposite
	Coolant: IC/Ext
	Pressure max [bar]: 25
	Center distance [mm]: 115
8 031 44 010	Radial milling head universal arbor 16
	Tool drive: Flat (~DIN 1809)
	Shank size [mm]: 40.00
	Shank type: VDI
	Tool adaption: Universal arbor 16
	Gear ratio [i]: 1:1
	Torque max [Nm]: 50
	Rotation max [1/min]: 6000
	Rotating direction: opposite
	Coolant: EXT
	Center distance [mm]: 115
8 031 45 007	Radial milling head universal arbor 22
	Tool drive: Flat (~DIN 1809)
	Shank size [mm]: 40.00
	Shank type: VDI
	Tool adaption: Universal arbor 22
	Gear ratio [i]: 1:1
	Torque max [Nm]: 50

Part-#	Name	
	Rotation max [1/min]:	6000
	Rotating direction:	opposite
	Coolant:	EXT
	Center distance [mm]:	115
8 031 45 011	Radial milling head universal arbor 22	
	Tool drive:	Flat (~DIN 1809)
	Shank size [mm]:	40.00
	Shank type:	VDI
	Tool adaption:	Universal arbor 22
	Gear ratio [i]:	2:1
	Torque max [Nm]:	63
	Rotation max [1/min]:	4000
	Rotating direction:	opposite
	Coolant:	EXT
	Center distance [mm]:	115
8 039 45 013	Radial drilling and milling head ER 25	
	Notation:	360° turnable
	Tool drive:	Flat (~DIN 1809)
	Shank size [mm]:	40.00
	Shank type:	VDI
	Tool adaption:	ER 25
	Gear ratio [i]:	2:1
	Torque max [Nm]:	32
	Rotation max [1/min]:	3000
	Rotating direction:	opposite
	Coolant:	EXT
8 039 45 063	Radial drilling and milling head ER 25 AX UT IC	
	Weight [kg]:	7.850
	Notation:	65° angle
	Tool drive:	Flat (~DIN 1809)
	Shank size [mm]:	40.00
	Shank type:	VDI
	Tool adaption:	ER 25 A - u-tec
	Gear ratio [i]:	1:1
	Torque max [Nm]:	40
	Rotation max [1/min]:	6000
	Rotating direction:	opposite
	Coolant:	IC/Ext
	Pressure max [bar]:	140
	Please note:	Combi bearing
8 039 45 084	Radial drilling and milling head ER 25 AX UT	
	Weight [kg]:	6.760
	Notation:	68° angle
	Tool drive:	Flat (~DIN 1809)
	Shank size [mm]:	40.00
	Shank type:	VDI
	Tool adaption:	ER 25 A - u-tec
	Gear ratio [i]:	1:1
	Torque max [Nm]:	40
	Rotation max [1/min]:	6000
	Rotating direction:	opposite
	Coolant:	EXT
	Please note:	Combi bearing

Part-#	Name	
8 039 45 086	Radial drilling and milling head ER 25 AX UT	
	Weight [kg]:	6.940
	Notation:	50° angle
	Tool drive:	Flat (~DIN 1809)
	Shank size [mm]:	40.00
	Shank type:	VDI
	Tool adaption:	ER 25 A - u-tec
	Gear ratio [i]:	1:1
	Torque max [Nm]:	50
	Rotation max [1/min]:	6000
	Rotating direction:	opposite
	Coolant:	EXT
	Please note:	Combi bearing
8 039 45 124	Radial drilling and milling head ER 25 AX UT	
	Weight [kg]:	6.760
	Notation:	55° angle
	Tool drive:	Flat (~DIN 1809)
	Shank size [mm]:	40.00
	Shank type:	VDI
	Tool adaption:	ER 25 A - u-tec
	Gear ratio [i]:	1:1
	Torque max [Nm]:	40
	Rotation max [1/min]:	6000
	Rotating direction:	opposite
	Coolant:	EXT
	Please note:	Combi bearing
8 040 44 012	Universal head ± 90° adjustable ER 16 AX	
	Weight [kg]:	5.540
	Tool drive:	Flat (~DIN 1809)
	Shank size [mm]:	40.00
	Shank type:	VDI
	Tool adaption:	ER 16 A
	Gear ratio [i]:	1:1
	Torque max [Nm]:	25
	Rotation max [1/min]:	6000
	Rotating direction:	same
	Coolant:	EXT
	Please note:	Note swivel range
	Center distance [mm]:	105
8 040 44 065	Universal head ± 90° adjustable ER 16 AX UT IC	
	Weight [kg]:	5.780
	Tool drive:	Flat (~DIN 1809)
	Shank size [mm]:	40.00
	Shank type:	VDI
	Tool adaption:	ER 16 A - u-tec
	Gear ratio [i]:	1:1
	Torque max [Nm]:	25
	Rotation max [1/min]:	6000
	Rotating direction:	opposite
	Coolant:	IC/Ext
	Pressure max [bar]:	140
	Please note:	Note swivel range!
	Center distance [mm]:	105

Part-#	Name
8 040 45 077	Universal head ± 90° adjustable ER 25 AX UT IC Weight [kg]: 5.350 Version: at 45° position can be pinned Tool drive: Flat (~DIN 1809) Shank size [mm]: 40.00 Shank type: VDI Tool adaption: ER 25 A - u-tec Gear ratio [i]: 1:1 Torque max [Nm]: 25 Rotation max [1/min]: 6000 Rotating direction: opposite Coolant: IC/Ext Pressure max [bar]: 140 Please note: stronger bearing Center distance [mm]: 87
8 040 45 078	Universal head ± 90° adjustable ER 25 AX UT IC Version: at 75° position can be pinned Tool drive: Flat (~DIN 1809) Shank size [mm]: 40.00 Shank type: VDI Tool adaption: ER 25 A - u-tec Gear ratio [i]: 1:1 Torque max [Nm]: 25 Rotation max [1/min]: 6000 Rotating direction: opposite Coolant: IC/Ext Pressure max [bar]: 140 Please note: stronger bearing Center distance [mm]: 87
8 040 45 088	Universal head ± 90° adjustable ER 25 AX UT Weight [kg]: 5.300 Tool drive: Flat (~DIN 1809) Shank size [mm]: 40.00 Shank type: VDI Tool adaption: ER 25 A - u-tec Gear ratio [i]: 1:1 Torque max [Nm]: 25 Rotation max [1/min]: 6000 Rotating direction: opposite Coolant: EXT Please note: stronger bearing Center distance [mm]: 87
8 040 45 089	Universal head ± 90° adjustable ER 25 AX UT IC Weight [kg]: 5.050 Version: at 45° position can be pinned; special Tool drive: Flat (~DIN 1809) Shank size [mm]: 40.00 Shank type: VDI Tool adaption: ER 25 A - u-tec Gear ratio [i]: 1:1 Torque max [Nm]: 25 Rotation max [1/min]: 6000 Rotating direction: opposite Coolant: IC/Ext Pressure max [bar]: 140

Part-#	Name	
	Please note:	stronger bearing
	Center distance [mm]:	87
8 200 41 000	Plug Ø 40x60	
	Weight [kg]:	1.140
	Shank size [mm]:	40.00
	Shank type:	VDI
8 202 40 009	Basic holder longitudinal seat FN 12	
	Weight [kg]:	2.980
	Shank size [mm]:	40.00
	Shank type:	VDI
	Tool adaption:	Interface FN 12
	Coolant:	EXT
	Center distance [mm]:	43
8 202 40 014	Basic holder longitudinal seat FN 12	
	Weight [kg]:	3.210
	Version:	Special
	Shank size [mm]:	40.00
	Shank type:	VDI
	Tool adaption:	Interface FN 12
	Coolant:	EXT
	Center distance [mm]:	43
8 214 43 009	Cut-off holder SH 32	
	Employment for:	Cut-off tool 32
	Version:	Clampshaft on turret center
	Shank size [mm]:	40.00
	Shank type:	VDI
	Tool adaption:	Clampshaft SH 32
	Coolant:	EXT
	Please note:	demountalbe clampshaft
8 214 43 010	Cut-off holder SH 32	
	Weight [kg]:	3.340
	Employment for:	Cut-off tool 32
	Version:	Clampshaft on turret side
	Shank size [mm]:	40.00
	Shank type:	VDI
	Tool adaption:	Clampshaft SH 32
	Coolant:	EXT
	Please note:	demountalbe clampshaft
8 214 43 021	Cut-off holder SH 32	
	Weight [kg]:	3.350
	Employment for:	Cut-off tool 32
	Version:	Clampshaft on right turret side
	Shank size [mm]:	40.00
	Shank type:	VDI
	Tool adaption:	Clampshaft SH 32
	Coolant:	EXT
	Please note:	demountalbe clampshaft

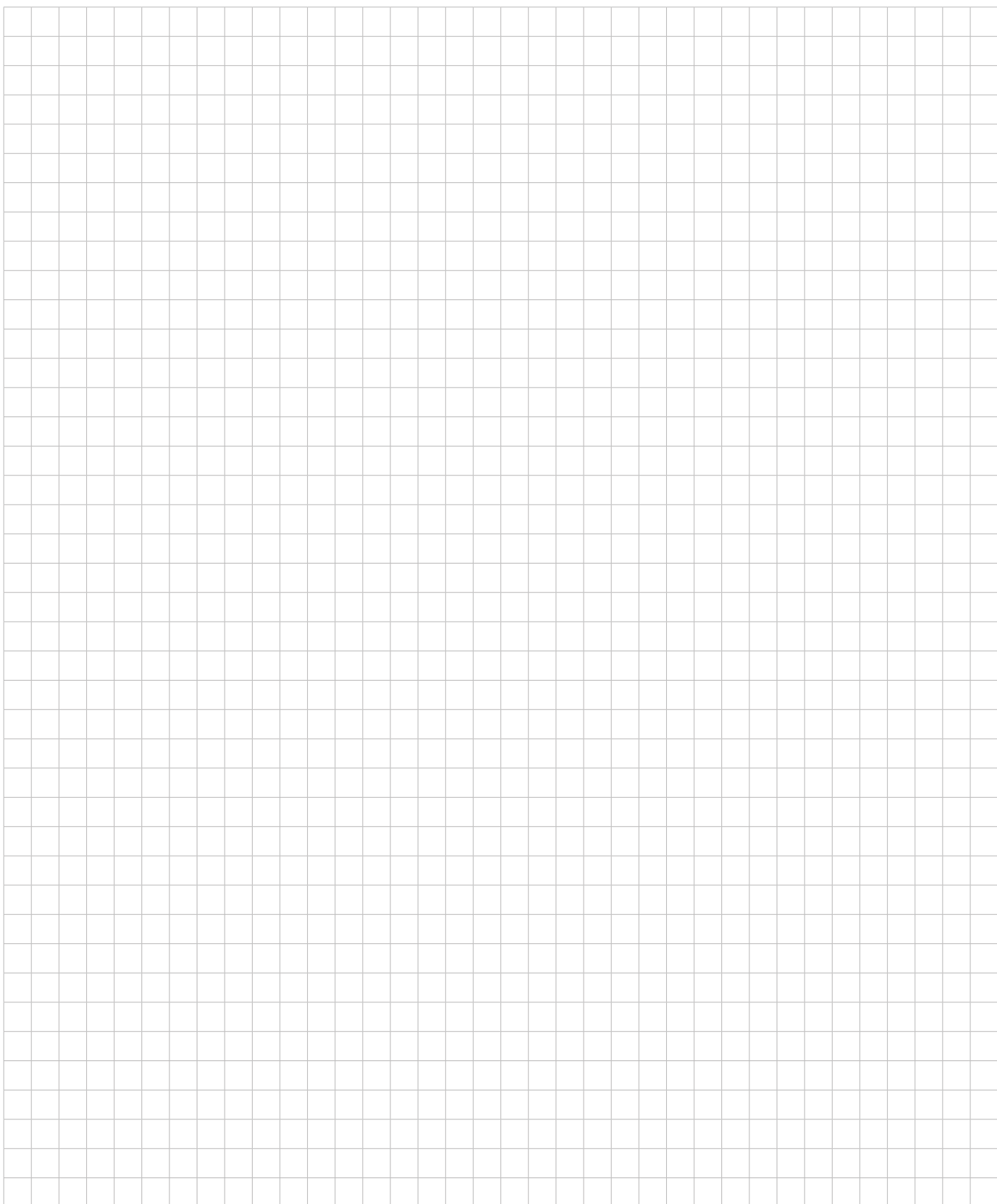
Part-#	Name	
8 214 44 000	Universal turning holder sq. 20	
	Weight [kg]:	5.440
	Shank size [mm]:	40.00
	Shank type:	VDI
	Tool adaption:	Sq. 20 Sq. 20
	Coolant:	EXT
8 214 44 002	Universal turning holder sq. 20	
	Weight [kg]:	5.480
	Shank size [mm]:	40.00
	Shank type:	VDI
	Tool adaption:	Sq. 20
	Coolant:	EXT
8 214 44 004	Universal turning holder sq. 20	
	Weight [kg]:	4.040
	Version:	Special
	Shank size [mm]:	40.00
	Shank type:	VDI
	Tool adaption:	Sq. 20
	Coolant:	EXT
	Please note:	Special version
8 214 44 005	Universal turning holder sq. 20	
	Weight [kg]:	4.000
	Version:	Special
	Shank size [mm]:	40.00
	Shank type:	VDI
	Tool adaption:	Sq. 20
	Coolant:	EXT
	Please note:	Special version
8 214 44 008	Universal turning holder sq. 20	
	Version:	Special
	Shank size [mm]:	40.00
	Shank type:	VDI
	Tool adaption:	Sq. 20 Sq. 20
	Coolant:	EXT
	Please note:	With 1/8" thread
8 230 47 000	Boring bar holder Ø 25	
	Weight [kg]:	8.520
	Notation:	offset
	Shank size [mm]:	40.00
	Shank type:	VDI
	Tool adaption:	Ø 25
	Coolant:	IC/Ext
	Please note:	Offset dimension to center 10 mm
	Center distance [mm]:	130

Part-#	Name	
8 230 47 018	Boring bar holder Ø 25	
	Notation:	offset
	Shank size [mm]:	40.00
	Shank type:	VDI
	Tool adaption:	Ø 25
	Coolant:	IC/Ext
	Please note:	Offset dimension to center 10 mm
	Center distance [mm]:	110
8 230 48 004	Boring bar holder Ø 32	
	Weight [kg]:	8.100
	Notation:	offset
	Shank size [mm]:	40.00
	Shank type:	VDI
	Tool adaption:	Ø 32
	Coolant:	IC/Ext
	Please note:	Offset dimension to center 10 mm
	Center distance [mm]:	130
8 230 48 008	Boring bar holder Ø 32	
	Weight [kg]:	8.580
	Notation:	offset
	Shank size [mm]:	40.00
	Shank type:	VDI
	Tool adaption:	Ø 32
	Coolant:	IC/Ext
	Please note:	Offset dimension to center 60 mm
	Center distance [mm]:	130
8 230 49 009	Boring bar holder Ø 40	
	Weight [kg]:	9.000
	Notation:	offset
	Shank size [mm]:	40.00
	Shank type:	VDI
	Tool adaption:	Ø 40
	Coolant:	IC/Ext
	Please note:	Offset dimension to center 10 mm
	Center distance [mm]:	130
8 234 44 005	Combi facing holder sq. 20	
	Weight [kg]:	8.000
	Shank size [mm]:	40.00
	Shank type:	VDI
	Tool adaption:	Sq. 20
	Coolant:	EXT
8 320 43 019	Cut-off holder, height adjustable SH 32 IC	
	Weight [kg]:	3.720
	Shank size [mm]:	40.00
	Shank type:	VDI
	Tool adaption:	Clampshaft SH 32
	Coolant:	IC/Ext
	Pressure max [bar]:	70

Mazak
MP 615 N

heimatec®

Part-#	Name
8 320 43 021	Cut-off holder, height adjustable SH 32 IC
	Shank size [mm]: 40.00
	Shank type: VDI
	Tool adaption: Clampshaft SH 32
	Coolant: IC/Ext
	Pressure max [bar]: 70
	Please note: Clampshaft internal



heimatec.u-tec®

heimatec.com

Products / Tool change systems /
u-tec® Tool-changing system



versions see catalog



heimatec.easy-quick

heimatec.com

Products / Tool change systems /
easy-quick HT quick-changing system



versions see catalog



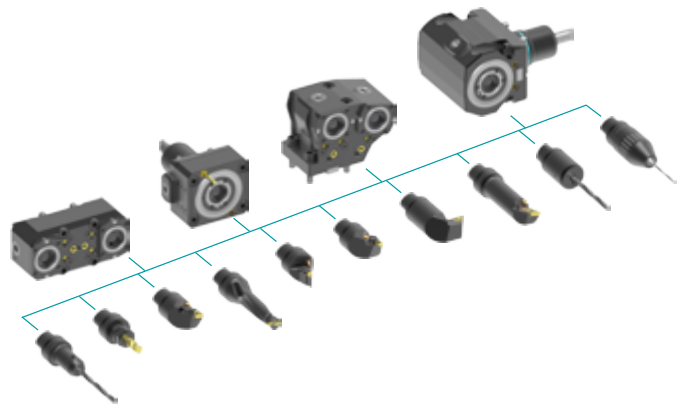
heimatec.Capto™

heimatec.com

Products / Tool change systems /
heimatec.Capto™ quick-changing system



versions see catalog



heimatec.accessories

heimatec.com

Products / Accessories



versions see catalog





● heimatec overseas branches

○ global representations of heimatec

heimatec[®]

heimatec GmbH
Präzisionswerkzeuge
Carl-Benz-Str. 4
77871 Renchen
Germany

T +49 7843 9466 0
www.heimatec.com
info@heimatec.com

Please find the contact details of our worldwide trading partners on our website:
<https://heimatec.com/business-partners>