

SPINNER  
TC 300



# High-tech from heimatec - heimatec - Tools and systems for productive turning and milling

heimatec belongs to the international technology and quality leaders for precision tools and specializes in the development and production of high-precision static and live tools for all CNC lathes, CNC turn-/mill machines and CNC machining centers.

The range of products\* spans from static BMT and VDI tool holders, live tools up to highly complex customer-specific individual solutions. heimatec, headquartered in Renchen, has a own subsidiary in Asia and India and numerous representatives as well as trading partners all over the world.

## \*OUR PRODCUTS

Static tool holders

Live tool units

Precision tools

Tools for turning and machining centres

Tools for swiss type lathes

Tool changing and uick-change systems

Tool systems for gear production

Digital tool management

This catalogue, including all its parts, is protected by copyright. Any use outside the restricted limitations of the Copyright Act without the consent of heimatec is inadmissible and liable to prosecution. This applies in particular to duplication, translation, microfilming and storage and processing in electronic systems.

**heimatec GmbH** reserves the right to make technical changes at any time without giving prior notice. This applies in particular to adjustments at any time to meet new or changed international standards, or in case of further developments of our products or manufacturing processes.

The current version of our General Terms and Conditions can be found on our website.

# SPINNER TC 300

Part-#	Name	
<b>8 200 20 001</b>	<b>Plug Z2-25 K</b>	
	Weight [kg]:	0.020
	Shank size [mm]:	25.00
	Shank type:	VDI
<b>8 200 20 004</b>	<b>Plug Z2-25 S</b>	
	Weight [kg]:	0.480
	Shank size [mm]:	25.00
	Shank type:	VDI
<b>8 200 22 000</b>	<b>Tool holder A1-25x 75</b>	
	Shank size [mm]:	25.00
	Shank type:	VDI
<b>8 202 20 011</b>	<b>Basic holder longitudinal seat FN 12</b>	
	Weight [kg]:	0.800
	Version:	universal
	Shank size [mm]:	25.00
	Shank type:	VDI
	Tool adaption:	Interface FN 12
	Coolant:	EXT
<b>8 209 22 012</b>	<b>Adapter for VDI 25</b>	
	Version:	right
	Shank size [mm]:	25.00
	Shank type:	VDI
	Tool adaption:	DIN 69880 - 25
	Center distance [mm]:	75
<b>8 209 22 014</b>	<b>Adapter for VDI 25</b>	
	Notation:	offset
	Version:	right
	Shank size [mm]:	25.00
	Shank type:	VDI
	Tool adaption:	DIN 69880 - 25
	Center distance [mm]:	75
<b>8 214 21 001</b>	<b>Tool holder C3-25x16</b>	
	Weight [kg]:	1.070
	Shank size [mm]:	25.00
	Shank type:	VDI
	Tool adaption:	Sq. 16/12
	Coolant:	EXT
<b>8 214 21 003</b>	<b>Tool holder C1-25x16/12</b>	
	Shank size [mm]:	25.00
	Shank type:	VDI
	Tool adaption:	Sq. 16/12
	Coolant:	EXT
<b>8 214 24 001</b>	<b>Universal turning holder sq. 20</b>	
	Weight [kg]:	1.460
	Shank size [mm]:	25.00
	Shank type:	VDI
	Tool adaption:	Sq. 20
		Sq. 20
	Coolant:	EXT

# SPINNER TC 300

Part-#	Name
--------	------

Please note: with reversible shaft

**8 230 27 024**



**Boring bar holder Ø 25**

Weight [kg]: 2.860  
 Version: right  
 Shank size [mm]: 25.00  
 Shank type: VDI  
 Tool adaption: Ø 25  
 Coolant: IC/Ext  
 Please note: demountable in left version  
 Center distance [mm]: 75

**8 230 27 041**

**Boring bar holder Ø 30**

Weight [kg]: 2.770  
 Version: right  
 Shank size [mm]: 25.00  
 Shank type: VDI  
 Tool adaption: Ø 30  
 Coolant: IC/Ext  
 Please note: demountable in left version  
 Center distance [mm]: 75

**8 230 27 049**



**Boring bar holder Ø 25**

Weight [kg]: 3.420  
 Version: right  
 Shank size [mm]: 25.00  
 Shank type: VDI  
 Tool adaption: Ø 25  
 Coolant: IC/Ext  
 Please note: demountable in left version  
 Center distance [mm]: 95

**8 230 27 054**

**Boring bar holder Ø 1"**

Weight [kg]: 2.850  
 Version: right  
 Shank size [mm]: 25.00  
 Shank type: VDI  
 Tool adaption: Ø 1" (25,4mm)  
 Coolant: IC/Ext  
 Please note: demountable in left version  
 Center distance [mm]: 75

**8 230 28 019**

**Boring bar holder Ø 32**

Notation: offset  
 Version: right  
 Shank size [mm]: 25.00  
 Shank type: VDI  
 Tool adaption: Ø 32  
 Coolant: IC/Ext  
 Center distance [mm]: 75

# SPINNER TC 300

Part-#	Name	
<b>8 231 28 003</b>	<b>Boring bar holder Ø 32</b>	
	Notation:	offset
	Version:	left
	Shank size [mm]:	25.00
	Shank type:	VDI
	Tool adaption:	Ø 32
	Coolant:	IC/Ext
	Center distance [mm]:	75
<b>8 234 24 004</b>	<b>Combi facing holder sq. 20</b>	
	Weight [kg]:	2.320
	Shank size [mm]:	25.00
	Shank type:	VDI
	Tool adaption:	Sq. 20
	Coolant:	EXT
	Please note:	demountable in left version
<b>8 236 26 006</b>	<b>Tool holder HT 4</b>	
	Notation:	180° reversible
	Version:	doubletoothed
	Shank size [mm]:	25.00
	Shank type:	VDI
	Tool adaption:	HT 4
	Coolant:	IC/Ext
	Please note:	Fixation slide stone
	Center distance [mm]:	75
<b>8 236 27 014</b>	<b>Boring bar holder Ø 25</b>	
	Version:	doubletoothed
	Shank size [mm]:	25.00
	Shank type:	VDI
	Tool adaption:	Ø 25
	Coolant:	IC/Ext
	Pressure max [bar]:	100
	Center distance [mm]:	95
<b>8 253 25 001</b>	<b>Double boring bar holder Ø 16</b>	
	Weight [kg]:	4.900
	Shank size [mm]:	25.00
	Shank type:	VDI
	Tool adaption:	Ø 16
	Coolant:	IC/Ext
	Center distance [mm]:	70/105
<b>8 253 27 008</b>	<b>Double boring bar holder Ø 25</b>	
	Weight [kg]:	4.430
	Shank size [mm]:	25.00
	Shank type:	VDI
	Tool adaption:	Ø 25
	Coolant:	IC/Ext
	Center distance [mm]:	70/105

# SPINNER TC 300

Part-#	Name
--------	------

**8 262 29 015**

**Stock stop VDI 25 - Ø 60 OD turret**



Weight [kg]: 2.730  
 Notation: offset  
 Version: right  
 Shank size [mm]: 25.00  
 Shank type: VDI  
 Rotation max [1/min]: 8000  
 Coolant: no  
 Please note: Length adjustable  
 Center distance [mm]: 75

**8 320 23 014**

**Cut-off holder, height adjustable SH 32 IC**

Weight [kg]: 1.370  
 Version: universal  
 Shank size [mm]: 25.00  
 Shank type: VDI  
 Tool adaption: Clampshaft SH 32  
 Coolant: IC/Ext  
 Pressure max [bar]: 70

**8 320 23 020**

**Cut-off holder, height adjustable SH 32 IC**

Weight [kg]: 1.540  
 Version: universal  
 Shank size [mm]: 25.00  
 Shank type: VDI  
 Tool adaption: Clampshaft SH 32  
 Coolant: IC/Ext  
 Pressure max [bar]: 70  
 Please note: Clampshaft internal

## heimatec.u-tec®

heimatec.com

Products / Tool change systems /  
u-tec® Tool-changing system



versions see catalog



## heimatec.easy-quick

heimatec.com

Products / Tool change systems /  
easy-quick HT quick-changing system



versions see catalog



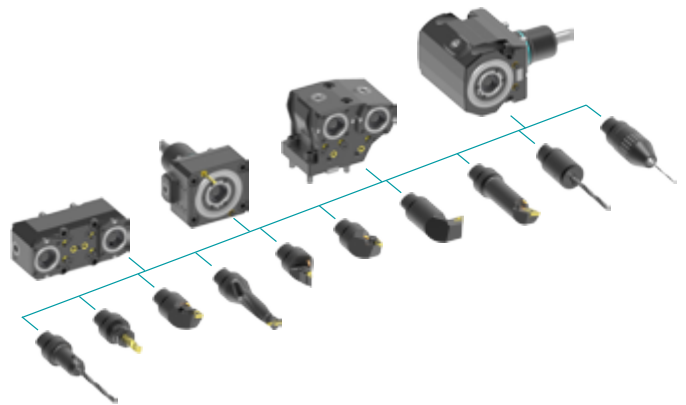
## heimatec.Capto™

heimatec.com

Products / Tool change systems /  
heimatec.Capto™ quick-changing system



versions see catalog



## heimatec.accessories

heimatec.com

Products / Accessories



versions see catalog





● heimatec overseas branches

○ global representations of heimatec

**heimatec**<sup>®</sup>

**heimatec GmbH**  
Präzisionswerkzeuge  
Carl-Benz-Str. 4  
77871 Renchen  
Germany

T +49 7843 9466 0  
[www.heimatec.com](http://www.heimatec.com)  
[info@heimatec.com](mailto:info@heimatec.com)

Please find the contact details of our worldwide trading partners on our website:  
<https://heimatec.com/business-partners>