

Mazak
QT Nexus 200



High-tech from heimatec - heimatec - Tools and systems for productive turning and milling

heimatec belongs to the international technology and quality leaders for precision tools and specializes in the development and production of high-precision static and live tools for all CNC lathes, CNC turn-/mill machines and CNC machining centers.

The range of products* spans from static BMT and VDI tool holders, live tools up to highly complex customer-specific individual solutions. heimatec, headquartered in Renchen, has a own subsidiary in Asia and India and numerous representatives as well as trading partners all over the world.

*OUR PRODCUTS

Static tool holders

Live tool units

Precision tools

Tools for turning and machining centres

Tools for swiss type lathes

Tool changing and uick-change systems

Tool systems for gear production

Digital tool management

This catalogue, including all its parts, is protected by copyright. Any use outside the restricted limitations of the Copyright Act without the consent of heimatec is inadmissible and liable to prosecution. This applies in particular to duplication, translation, microfilming and storage and processing in electronic systems.

heimatec GmbH reserves the right to make technical changes at any time without giving prior notice. This applies in particular to adjustments at any time to meet new or changed international standards, or in case of further developments of our products or manufacturing processes.

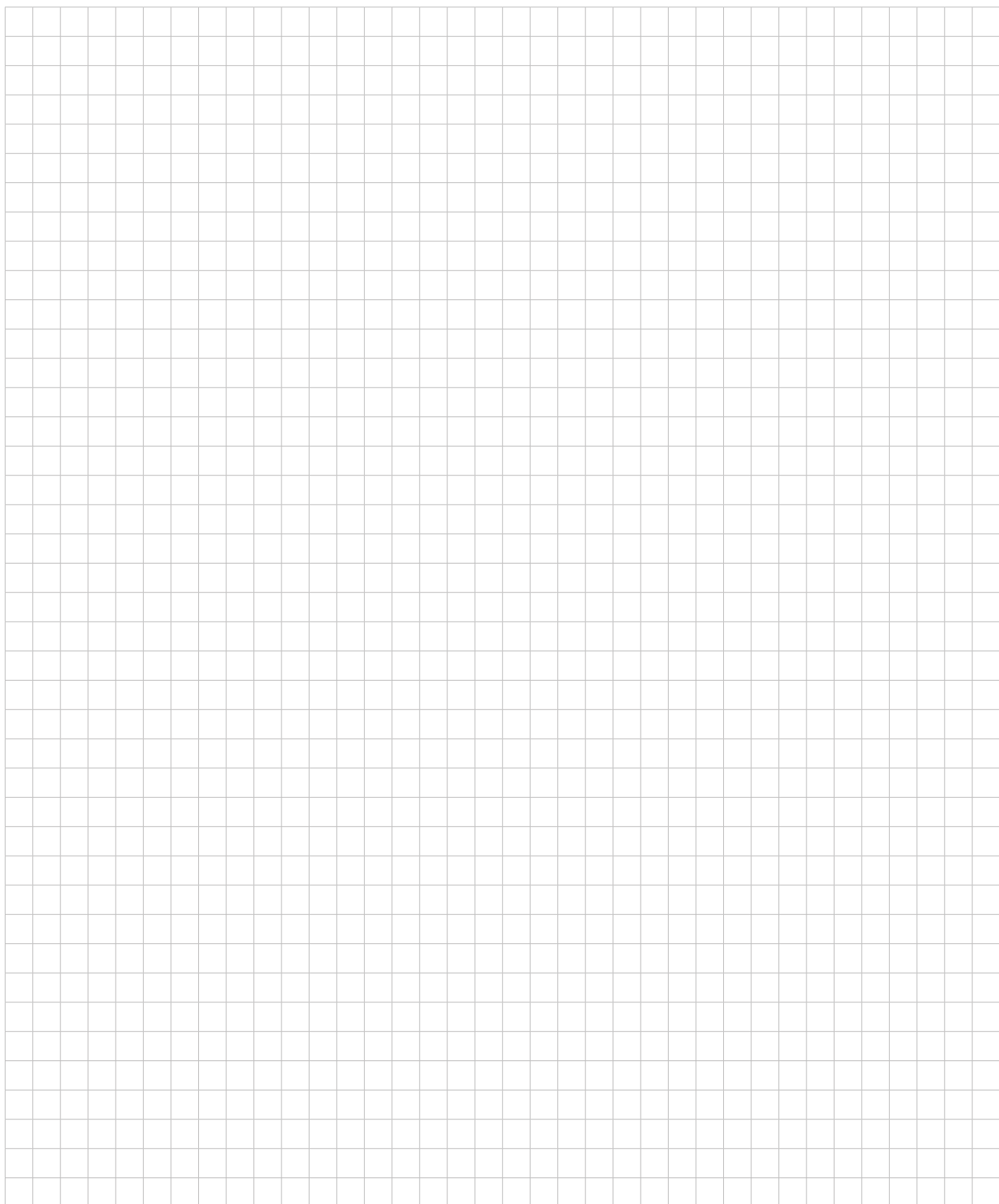
The current version of our General Terms and Conditions can be found on our website.

Part-#	Name	
8 202 33 001	Basic holder longitudinal seat SZ 40	
	Weight [kg]:	2.880
	Shank type:	BMT
	Machine adaption:	Centering key b 38
	Tool adaption:	Interface SZ 40
	Coolant:	EXT
	Center distance [mm]:	-38,5
8 209 32 004	Adapter for VDI 30	
	Weight [kg]:	1.780
	Version:	Special
	Shank type:	BMT
	Machine adaption:	Centering key b 38
	Tool adaption:	DIN 69880 - 30
	Coolant:	EXT
	Please note:	Aluminum version
	Center distance [mm]:	10
8 209 32 005	Adapter for VDI 30	
	Weight [kg]:	2.040
	Version:	Special
	Shank type:	BMT
	Machine adaption:	Centering key b 38
	Tool adaption:	DIN 69880 - 30
	Coolant:	EXT
	Please note:	Aluminum version
	Center distance [mm]:	40
8 224 35 000	Universal turning holder sq. 25	
	Weight [kg]:	1.100
	Shank type:	BMT
	Machine adaption:	Centering key b 38
	Tool adaption:	Sq. 25
	Coolant:	EXT
8 240 39 000	Boring bar holder Ø 40	
	Weight [kg]:	5.220
	Shank type:	BMT
	Machine adaption:	Centering key b 38
	Tool adaption:	Ø 40
	Coolant:	IC/Ext
	Center distance [mm]:	50
8 240 39 005	Boring bar holder Ø 50	
	Weight [kg]:	4.390
	Shank type:	BMT
	Machine adaption:	Centering key b 38
	Tool adaption:	Ø 50
	Coolant:	IC/Ext
	Center distance [mm]:	50

Mazak
QT Nexus 200



Part-#	Name	
8 244 35 000	Combi facing holder sq. 25	
	Weight [kg]:	2.920
	Shank type:	BMT
	Machine adaption:	Centering key b 38
	Tool adaption:	Sq. 25
		Sq. 25
	Coolant:	EXT
8 780 99 047	Clamping bar Mazak QT SMART / QT Nexus	
	Weight [kg]:	0.220
	Shank type:	BMT



heimatec.u-tec®

heimatec.com

Products / Tool change systems /
u-tec® Tool-changing system



versions see catalog



heimatec.easy-quick

heimatec.com

Products / Tool change systems /
easy-quick HT quick-changing system



versions see catalog



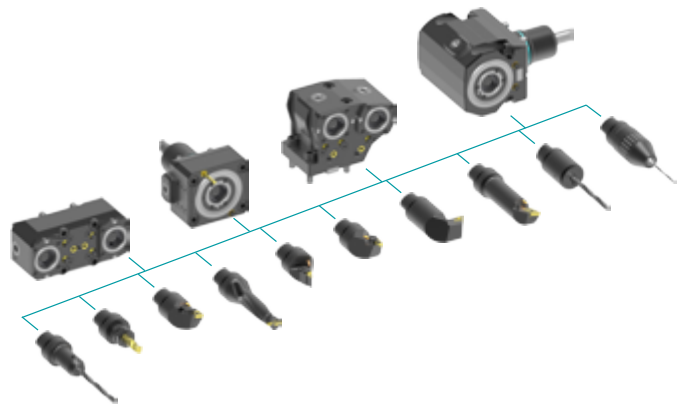
heimatec.Capto™

heimatec.com

Products / Tool change systems /
heimatec.Capto™ quick-changing system



versions see catalog



heimatec.accessories

heimatec.com

Products / Accessories



versions see catalog





● heimatec overseas branches

○ global representations of heimatec

heimatec[®]

heimatec GmbH
Präzisionswerkzeuge
Carl-Benz-Str. 4
77871 Renchen
Germany

T +49 7843 9466 0
www.heimatec.com
info@heimatec.com

Please find the contact details of our worldwide trading partners on our website:
<https://heimatec.com/business-partners>