

Mazak

# QT Nexus 300 M



# High-tech from heimatec - heimatec - Tools and systems for productive turning and milling

heimatec belongs to the international technology and quality leaders for precision tools and specializes in the development and production of high-precision static and live tools for all CNC lathes, CNC turn-/mill machines and CNC machining centers.

The range of products\* spans from static BMT and VDI tool holders, live tools up to highly complex customer-specific individual solutions. heimatec, headquartered in Renchen, has a own subsidiary in Asia and India and numerous representatives as well as trading partners all over the world.

## \*OUR PRODCUTS

Static tool holders

Live tool units

Precision tools

Tools for turning and machining centres

Tools for swiss type lathes

Tool changing and uick-change systems

Tool systems for gear production

Digital tool management

This catalogue, including all its parts, is protected by copyright. Any use outside the restricted limitations of the Copyright Act without the consent of heimatec is inadmissible and liable to prosecution. This applies in particular to duplication, translation, microfilming and storage and processing in electronic systems.

**heimatec GmbH** reserves the right to make technical changes at any time without giving prior notice. This applies in particular to adjustments at any time to meet new or changed international standards, or in case of further developments of our products or manufacturing processes.

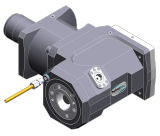
The current version of our General Terms and Conditions can be found on our website.

Part-#	Name	
<b>8 010 57 020</b>	<b>Axial drilling and milling head ER 40 IC</b>	
	Tool drive:	Flat (~DIN 1809)
	Shank size [mm]:	50.00
	Shank type:	VDI
	Tool adaption:	ER 40
	Gear ratio [i]:	1:1
	Torque max [Nm]:	100
	Rotation max [1/min]:	4000
	Rotating direction:	same
	Coolant:	IC/Ext
	Pressure max [bar]:	25
<b>8 010 57 085</b>	<b>Axial drilling and milling head ER 40 AX UT IC</b>	
	Weight [kg]:	6.160
	Tool drive:	Flat (~DIN 1809)
	Shank size [mm]:	50.00
	Shank type:	VDI
	Tool adaption:	ER 40 A - u-tec
	Gear ratio [i]:	1:1
	Torque max [Nm]:	100
	Rotation max [1/min]:	4000
	Rotating direction:	same
	Coolant:	IC/Ext
	Pressure max [bar]:	25
<b>8 011 55 010</b>	<b>Axial milling head universal arbor 22</b>	
	Tool drive:	Flat (~DIN 1809)
	Shank size [mm]:	50.00
	Shank type:	VDI
	Tool adaption:	Universal arbor 22
	Gear ratio [i]:	1:1
	Torque max [Nm]:	100
	Rotation max [1/min]:	4000
	Rotating direction:	same
	Coolant:	EXT
<b>8 018 56 000</b>	<b>Axial drilling and milling head ER 32</b>	
	Weight [kg]:	14.940
	Notation:	Y-axes adjustable ± 50 mm
	Tool drive:	Flat (~DIN 1809)
	Shank size [mm]:	50.00
	Shank type:	VDI
	Tool adaption:	ER 32 CL
	Gear ratio [i]:	1:1
	Torque max [Nm]:	100
	Rotation max [1/min]:	4000
	Rotating direction:	opposite
	Coolant:	EXT
<b>8 019 56 005</b>	<b>Axial drilling and milling head ER 32 CL IC</b>	
	Weight [kg]:	14.220
	Notation:	offset
	Tool drive:	Flat (~DIN 1809)
	Shank size [mm]:	50.00
	Shank type:	VDI
	Tool adaption:	ER 32
	Gear ratio [i]:	1:1
	Torque max [Nm]:	100

Part-#	Name	
	Rotation max [1/min]:	4000
	Rotating direction:	opposite
	Coolant:	IC/Ext
	Offset [mm]:	75
<b>8 019 57 000</b>	<b>Axial drilling and milling head ER 40 CL</b>	
	Weight [kg]:	14.240
	Notation:	offset
	Tool drive:	Flat (~DIN 1809)
	Shank size [mm]:	50.00
	Shank type:	VDI
	Tool adaption:	ER 40
	Gear ratio [i]:	1:1
	Torque max [Nm]:	100
	Rotation max [1/min]:	4000
	Rotating direction:	opposite
	Coolant:	EXT
	Offset [mm]:	75
<b>8 019 57 005</b>	<b>Axial drilling and milling head CAT 40</b>	
	Weight [kg]:	12.160
	Notation:	offset
	Tool drive:	Flat (~DIN 1809)
	Shank size [mm]:	50.00
	Shank type:	VDI
	Tool adaption:	CAT 40 - SK 40
	Gear ratio [i]:	1:1
	Torque max [Nm]:	100
	Rotation max [1/min]:	4000
	Rotating direction:	opposite
	Coolant:	EXT
	Offset [mm]:	75
<b>8 019 57 010</b>	<b>Axial drilling and milling head ER 40 CL IC</b>	
	Notation:	offset
	Tool drive:	Flat (~DIN 1809)
	Shank size [mm]:	50.00
	Shank type:	VDI
	Tool adaption:	ER 40
	Gear ratio [i]:	1:1,5
	Torque max [Nm]:	63
	Rotation max [1/min]:	6000
	Rotating direction:	opposite
	Coolant:	IC/Ext
	Pressure max [bar]:	25
	Offset [mm]:	75
<b>8 019 57 012</b>	<b>Axial drilling and milling head CAT 40</b>	
	Weight [kg]:	12.160
	Notation:	offset
	Tool drive:	Flat (~DIN 1809)
	Shank size [mm]:	50.00
	Shank type:	VDI
	Tool adaption:	CAT 40 - SK 40
	Gear ratio [i]:	1:1,5
	Torque max [Nm]:	63
	Rotation max [1/min]:	6000
	Rotating direction:	opposite

Part-#	Name	
	Coolant:	EXT
	Offset [mm]:	75
<b>8 019 57 047</b>	<b>Axial drilling and milling head ER 40 AX UT IC</b>	
	Weight [kg]:	13.800
	Notation:	offset
	Tool drive:	Flat (~DIN 1809)
	Shank size [mm]:	50.00
	Shank type:	VDI
	Tool adaption:	ER 40 A - u-tec
	Gear ratio [i]:	1:1
	Torque max [Nm]:	100
	Rotation max [1/min]:	6000
	Rotating direction:	opposite
	Coolant:	IC/Ext
	Pressure max [bar]:	140
	Offset [mm]:	75
<b>8 019 57 049</b>	<b>Axial drilling and milling head ER 40 AX UT</b>	
	Notation:	offset
	Tool drive:	Flat (~DIN 1809)
	Shank size [mm]:	50.00
	Shank type:	VDI
	Tool adaption:	ER 40 A - u-tec
	Gear ratio [i]:	1:1
	Torque max [Nm]:	100
	Rotation max [1/min]:	6000
	Rotating direction:	opposite
	Coolant:	EXT
<b>8 019 57 075</b>	<b>Axial drilling and milling head CAT 40 inch</b>	
	Weight [kg]:	12.330
	Notation:	offset
	Tool drive:	Flat (~DIN 1809)
	Shank size [mm]:	50.00
	Shank type:	VDI
	Tool adaption:	CAT 40 - SK 40 inch
	Gear ratio [i]:	1:1
	Torque max [Nm]:	100
	Rotation max [1/min]:	4000
	Rotating direction:	opposite
	Coolant:	EXT
	Center distance [mm]:	75
<b>8 019 58 002</b>	<b>Axial drilling and milling head HT 6</b>	
	Weight [kg]:	12.940
	Notation:	offset
	Tool drive:	Flat (~DIN 1809)
	Shank size [mm]:	50.00
	Shank type:	VDI
	Tool adaption:	HT 6
	Gear ratio [i]:	1:1
	Torque max [Nm]:	100
	Rotation max [1/min]:	4000
	Rotating direction:	opposite
	Coolant:	EXT
	Please note:	stronger bearing
	Offset [mm]:	75

Part-#	Name	
<b>8 019 58 003</b>	<b>Axial drilling and milling head HT 6 IC</b>	
	Notation:	offset
	Tool drive:	Flat (~DIN 1809)
	Shank size [mm]:	50.00
	Shank type:	VDI
	Tool adaption:	HT 6
	Gear ratio [i]:	1:1
	Torque max [Nm]:	100
	Rotation max [1/min]:	6000
	Rotating direction:	opposite
	Coolant:	IC/Ext
	Pressure max [bar]:	140
	Center distance [mm]:	75
<b>8 019 59 000</b>	<b>Axial drilling and milling head HT 7 IC</b>	
	Notation:	offset
	Tool drive:	Flat (~DIN 1809)
	Shank size [mm]:	50.00
	Shank type:	VDI
	Tool adaption:	HT 7
	Gear ratio [i]:	1:2
	Torque max [Nm]:	50
	Rotation max [1/min]:	8000
	Rotating direction:	opposite
	Coolant:	IC/Ext
	Pressure max [bar]:	140
	Center distance [mm]:	75
<b>8 019 59 002</b>	<b>Axial drilling and milling head HT 7</b>	
	Weight [kg]:	13.440
	Notation:	offset
	Tool drive:	Flat (~DIN 1809)
	Shank size [mm]:	50.00
	Shank type:	VDI
	Tool adaption:	HT 7
	Gear ratio [i]:	1:1
	Torque max [Nm]:	100
	Rotation max [1/min]:	4000
	Rotating direction:	opposite
	Coolant:	EXT
	Please note:	stronger bearing
	Offset [mm]:	75
<b>8 030 57 016</b>	<b>Radial drilling and milling head CAT 40</b>	
	Weight [kg]:	14.600
	Employment for:	Main spindle
	Tool drive:	Flat (~DIN 1809)
	Shank size [mm]:	50.00
	Shank type:	VDI
	Tool adaption:	CAT 40 - SK 40
	Gear ratio [i]:	1:1
	Torque max [Nm]:	100
	Rotation max [1/min]:	4000
	Rotating direction:	opposite
	Coolant:	EXT
	Center distance [mm]:	160

Part-#	Name	
<b>8 030 57 045</b>	<b>Radial drilling and milling head HT 5 IC</b>	
	Tool drive:	Flat (~DIN 1809)
	Shank size [mm]:	50.00
	Shank type:	VDI
	Tool adaption:	HT 5
	Gear ratio [i]:	1:1
	Torque max [Nm]:	100
	Rotation max [1/min]:	4000
	Rotating direction:	opposite
	Coolant:	IC/Ext
	Pressure max [bar]:	25
	Center distance [mm]:	160
<b>8 030 57 068</b>	<b>Radial drilling and milling head C 5 IC</b>	
	Weight [kg]:	17.350
	Employment for:	Main spindle
	Tool drive:	Flat (~DIN 1809)
	Shank size [mm]:	50.00
	Shank type:	VDI
	Tool adaption:	heimatec Capto(TM) C 5
	Gear ratio [i]:	1:1
	Torque max [Nm]:	100
	Rotation max [1/min]:	4000
	Rotating direction:	opposite
	Coolant:	IC/Ext
	Pressure max [bar]:	140
	Please note:	stronger bearing
	Center distance [mm]:	160
<b>8 030 57 077</b>	<b>Radial drilling and milling head ER 40 AX UT IC</b>	
	Weight [kg]:	17.420
	Employment for:	Main spindle
	Tool drive:	Flat (~DIN 1809)
	Shank size [mm]:	50.00
	Shank type:	VDI
	Tool adaption:	ER 40 A - u-tec
	Gear ratio [i]:	1:1
	Torque max [Nm]:	100
	Rotation max [1/min]:	4000
	Rotating direction:	opposite
	Coolant:	IC/Ext
	Pressure max [bar]:	140
	Please note:	stronger bearing
	Center distance [mm]:	160
<b>8 030 57 078</b>	<b>Radial drilling and milling head ER 40 AX UT</b>	
	Weight [kg]:	16.380
	Employment for:	Main spindle
	Tool drive:	Flat (~DIN 1809)
	Shank size [mm]:	50.00
	Shank type:	VDI
	Tool adaption:	ER 40 A - u-tec
	Gear ratio [i]:	1:1
	Torque max [Nm]:	100
	Rotation max [1/min]:	6000
	Rotating direction:	opposite
	Coolant:	EXT
	Please note:	stronger bearing

Part-#	Name	
	Center distance [mm]:	160
<b>8 030 57 082</b>	<b>Radial drilling and milling head ER 40 AX UT IC</b>	
	Employment for:	Main spindle
	Version:	Special
	Tool drive:	Flat (~DIN 1809)
	Shank size [mm]:	50.00
	Shank type:	VDI
	Tool adaption:	ER 40 A - u-tec
	Gear ratio [i]:	1:2
	Torque max [Nm]:	40
	Rotation max [1/min]:	8000
	Rotating direction:	opposite
	Coolant:	IC/Ext
	Pressure max [bar]:	140
	Please note:	stronger bearing
	Center distance [mm]:	140
<b>8 030 57 119</b>	<b>Radial drilling and milling head ER 40 AX UT</b>	
	Weight [kg]:	14.890
	Employment for:	Main spindle
	Version:	Special
	Tool drive:	Flat (~DIN 1809)
	Shank size [mm]:	50.00
	Shank type:	VDI
	Tool adaption:	ER 40 A - u-tec
	Gear ratio [i]:	1:1
	Torque max [Nm]:	100
	Rotation max [1/min]:	4000
	Rotating direction:	opposite
	Coolant:	EXT
	Please note:	stronger bearing
	Center distance [mm]:	100
<b>8 030 58 011</b>	<b>Radial drilling and milling head HT 6 IC</b>	
	Weight [kg]:	16.150
	Tool drive:	Flat (~DIN 1809)
	Shank size [mm]:	50.00
	Shank type:	VDI
	Tool adaption:	HT 6
	Gear ratio [i]:	1:1
	Torque max [Nm]:	100
	Rotation max [1/min]:	4000
	Rotating direction:	opposite
	Coolant:	IC/Ext
	Pressure max [bar]:	140
	Center distance [mm]:	160
<b>8 030 58 012</b>	<b>Radial drilling and milling head HT 6</b>	
	Tool drive:	Flat (~DIN 1809)
	Shank size [mm]:	50.00
	Shank type:	VDI
	Tool adaption:	HT 6
	Gear ratio [i]:	1:2
	Torque max [Nm]:	40
	Rotation max [1/min]:	8000
	Rotating direction:	opposite
	Coolant:	EXT

Part-#	Name	
	Center distance [mm]:	160
<b>8 030 58 014</b>	<b>Radial drilling and milling head Weldon 32 IC</b>	
	Weight [kg]:	15.920
	Tool drive:	Flat (~DIN 1809)
	Shank size [mm]:	50.00
	Shank type:	VDI
	Tool adaption:	Weldon (DIN 1835 b) 32
	Gear ratio [i]:	1:1
	Torque max [Nm]:	100
	Rotation max [1/min]:	4000
	Rotating direction:	opposite
	Coolant:	IC/Ext
	Pressure max [bar]:	25
	Center distance [mm]:	160
<b>8 030 59 000</b>	<b>Radial drilling and milling head HT 7 IC</b>	
	Weight [kg]:	17.560
	Tool drive:	Flat (~DIN 1809)
	Shank size [mm]:	50.00
	Shank type:	VDI
	Tool adaption:	HT 7
	Gear ratio [i]:	1:2
	Torque max [Nm]:	40
	Rotation max [1/min]:	8000
	Rotating direction:	opposite
	Coolant:	IC/Ext
	Pressure max [bar]:	140
	Please note:	stronger bearing
	Center distance [mm]:	160
<b>8 031 54 019</b>	<b>Radial milling head universal arbor 1/2"</b>	
	Weight [kg]:	15.260
	Tool drive:	Flat (~DIN 1809)
	Shank size [mm]:	50.00
	Shank type:	VDI
	Tool adaption:	Universal arbor 1/2" (12,7mm)
	Gear ratio [i]:	1:1
	Torque max [Nm]:	100
	Rotation max [1/min]:	4000
	Rotating direction:	opposite
	Coolant:	EXT
	Center distance [mm]:	160
<b>8 039 56 027</b>	<b>Radial drilling and milling head ER 32 AX UT</b>	
	Weight [kg]:	14.830
	Employment for:	Main- and sub spindle
	Version:	double spindle
	Tool drive:	Flat (~DIN 1809)
	Shank size [mm]:	50.00
	Shank type:	VDI
	Tool adaption:	ER 32 A - u-tec
	Gear ratio [i]:	1:1
	Torque max [Nm]:	100
	Rotation max [1/min]:	4000
	Rotating direction:	same/opposite
	Coolant:	EXT
	Center distance [mm]:	160

Part-#	Name	
<b>8 040 55 009</b>	<b>Universal head ± 90° adjustable ER 25 AX UT</b>	
	Weight [kg]:	6.570
	Tool drive:	Flat (~DIN 1809)
	Shank size [mm]:	50.00
	Shank type:	VDI
	Tool adaption:	ER 25 A - u-tec
	Gear ratio [i]:	1:1
	Torque max [Nm]:	25
	Rotation max [1/min]:	4000
	Rotating direction:	opposite
	Coolant:	EXT
	Please note:	Note swivel range! stronger bearing
	Center distance [mm]:	87
<b>8 040 55 021</b>	<b>Universal head ± 90° adjustable ER 25 AX UT IC</b>	
	Weight [kg]:	6.540
	Tool drive:	Flat (~DIN 1809)
	Shank size [mm]:	50.00
	Shank type:	VDI
	Tool adaption:	ER 25 A - u-tec
	Gear ratio [i]:	1:1
	Torque max [Nm]:	25
	Rotation max [1/min]:	4000
	Rotating direction:	opposite
	Coolant:	IC/Ext
	Pressure max [bar]:	140
	Please note:	Note swivel range! stronger bearing
	Center distance [mm]:	87
<b>8 200 51 007</b>	<b>Plug Ø 50x75</b>	
	Weight [kg]:	2.020
	Shank size [mm]:	50.00
	Shank type:	VDI
<b>8 202 50 003</b>	<b>Basic holder longitudinal seat FN 12</b>	
	Weight [kg]:	5.040
	Shank size [mm]:	50.00
	Shank type:	VDI
	Tool adaption:	Interface FN 12
	Coolant:	EXT
	Center distance [mm]:	58
<b>8 214 53 000</b>	<b>Cut-off holder SH 32</b>	
	Employment for:	Cut-off tool 32
	Version:	Clampshaft on turret center
	Shank size [mm]:	50.00
	Shank type:	VDI
	Tool adaption:	Clampshaft SH 32
	Coolant:	EXT
	Please note:	demountable clampshaft
<b>8 214 53 001</b>	<b>Cut-off holder SH 32</b>	
	Weight [kg]:	4.890
	Employment for:	Cut-off tool 32
	Version:	Clampshaft on turret side
	Shank size [mm]:	50.00
	Shank type:	VDI
	Tool adaption:	Clampshaft SH 32

Part-#	Name	
	Coolant:	EXT
	Please note:	demountable clampshaft
<b>8 214 55 001</b>	<b>Universal turning holder sq. 25</b>	
	Weight [kg]:	11.070
	Employment for:	Main spindle
	Shank size [mm]:	50.00
	Shank type:	VDI
	Tool adaption:	Sq. 25
	Coolant:	EXT
<b>8 214 55 002</b>	<b>Universal turning holder sq. 25</b>	
	Weight [kg]:	11.560
	Employment for:	Sub spindle
	Shank size [mm]:	50.00
	Shank type:	VDI
	Tool adaption:	Sq. 25
	Coolant:	EXT
<b>8 214 55 007</b>	<b>Universal turning holder sq. 1"</b>	
	Weight [kg]:	11.040
	Employment for:	Main spindle
	Shank size [mm]:	50.00
	Shank type:	VDI
	Tool adaption:	Sq. 1" (25,4mm)
	Coolant:	EXT
<b>8 214 56 000</b>	<b>Universal turning holder sq. 32</b>	
	Weight [kg]:	12.000
	Employment for:	Main spindle
	Shank size [mm]:	50.00
	Shank type:	VDI
	Tool adaption:	Sq. 32
	Coolant:	EXT
<b>8 230 57 000</b>	<b>Tool holder ABS 80 IC</b>	
	Weight [kg]:	18.920
	Notation:	offset
	Shank size [mm]:	50.00
	Shank type:	VDI
	Tool adaption:	ABS 80
	Coolant:	IC/Ext
	Center distance [mm]:	175
<b>8 230 58 001</b>	<b>Boring bar holder Ø 32</b>	
	Weight [kg]:	14.460
	Shank size [mm]:	50.00
	Shank type:	VDI
	Tool adaption:	Ø 32
	Coolant:	IC/Ext
	Center distance [mm]:	175

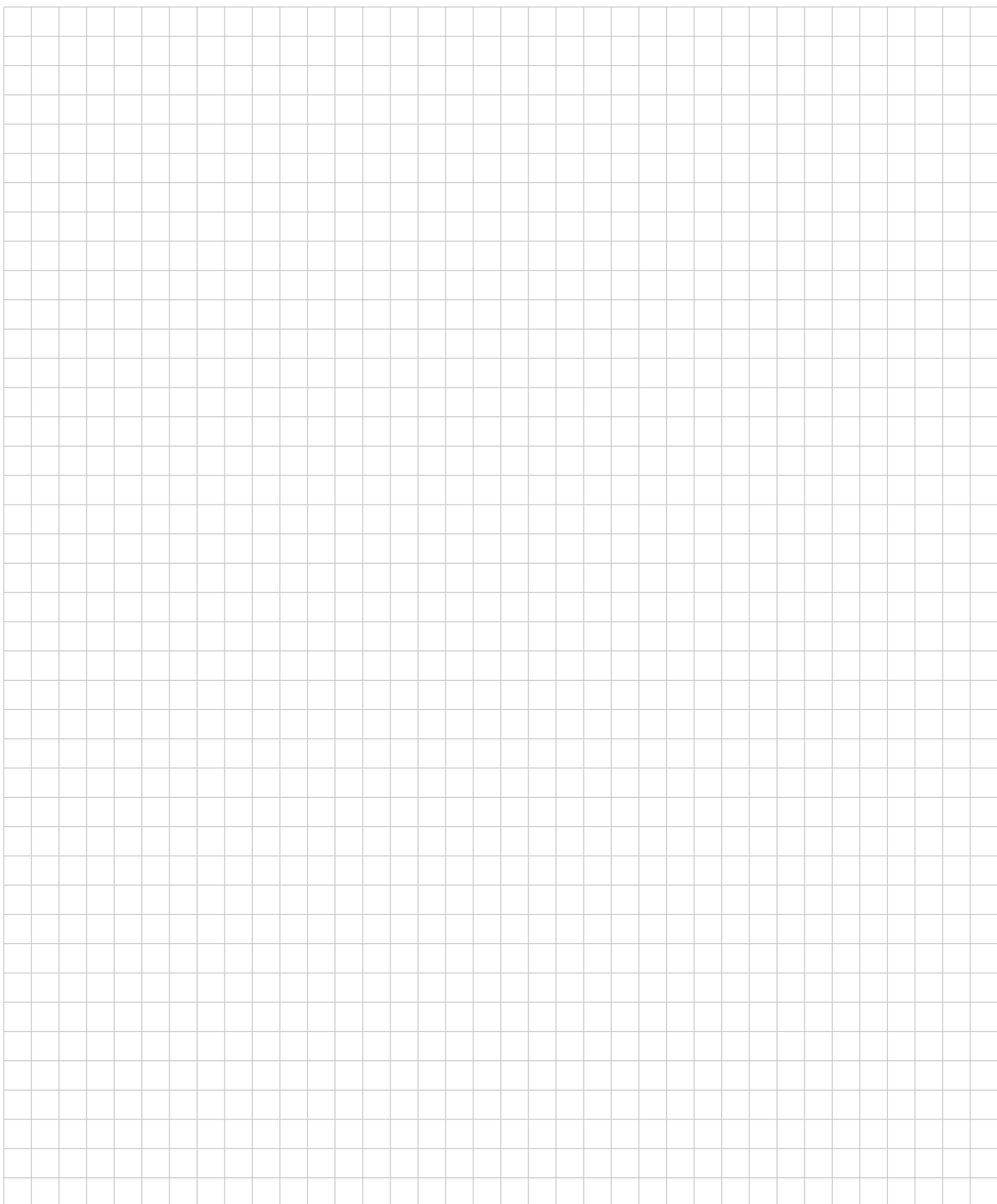
Part-#	Name	
<b>8 230 58 004</b>	<b>Boring bar holder Ø 32</b>	
	Notation:	offset
	Shank size [mm]:	50.00
	Shank type:	VDI
	Tool adaption:	Ø 32
	Coolant:	IC/Ext
	Center distance [mm]:	175
<b>8 230 59 000</b>	<b>Boring bar holder Ø 50</b>	
	Weight [kg]:	14.140
	Shank size [mm]:	50.00
	Shank type:	VDI
	Tool adaption:	Ø 50
	Coolant:	IC/Ext
	Center distance [mm]:	175
<b>8 230 59 001</b>	<b>Boring bar holder Ø 40</b>	
	Weight [kg]:	14.220
	Shank size [mm]:	50.00
	Shank type:	VDI
	Tool adaption:	Ø 40
	Coolant:	IC/Ext
	Center distance [mm]:	175
<b>8 230 59 009</b>	<b>Boring bar holder Ø 40</b>	
	Notation:	offset
	Shank size [mm]:	50.00
	Shank type:	VDI
	Tool adaption:	Ø 40
	Coolant:	IC/Ext
	Center distance [mm]:	175
<b>8 230 59 011</b>	<b>Boring bar holder Ø 60</b>	
	Weight [kg]:	14.240
	Shank size [mm]:	50.00
	Shank type:	VDI
	Tool adaption:	Ø 60
	Coolant:	IC/Ext
	Center distance [mm]:	175
<b>8 230 59 016</b>	<b>Boring bar holder Ø 2"</b>	
	Weight [kg]:	14.070
	Shank size [mm]:	50.00
	Shank type:	VDI
	Tool adaption:	Ø 2" (50,8mm)
	Coolant:	IC/Ext
	Center distance [mm]:	175
<b>8 230 59 029</b>	<b>Boring bar holder Ø 50 - slotted</b>	
	Weight [kg]:	19.950
	Version:	slotted
	Shank size [mm]:	50.00
	Shank type:	VDI
	Tool adaption:	Ø 50
	Coolant:	EXT
	Center distance [mm]:	175

Mazak

## QT Nexus 300 M

heimatec®

Part-#	Name	
<b>8 234 55 000</b>	<b>Combi facing holder sq. 25</b>	
	Weight [kg]:	12.960
	Shank size [mm]:	50.00
	Shank type:	VDI
	Tool adaption:	Sq. 25
	Coolant:	EXT
<b>8 234 56 000</b>	<b>Combi facing holder sq. 32</b>	
	Weight [kg]:	15.150
	Shank size [mm]:	50.00
	Shank type:	VDI
	Tool adaption:	Sq. 32
	Coolant:	EXT
<b>8 320 53 008</b>	<b>Cut-off holder, height adjustable SH 32 IC</b>	
	Weight [kg]:	5.650
	Shank size [mm]:	50.00
	Shank type:	VDI
	Tool adaption:	Clampshaft SH 32
	Coolant:	IC/Ext
	Pressure max [bar]:	70
<b>8 320 53 010</b>	<b>Cut-off holder, height adjustable SH 32 IC</b>	
	Weight [kg]:	5.810
	Shank size [mm]:	50.00
	Shank type:	VDI
	Tool adaption:	Clampshaft SH 32
	Coolant:	IC/Ext
	Pressure max [bar]:	70
	Please note:	Clampshaft internal



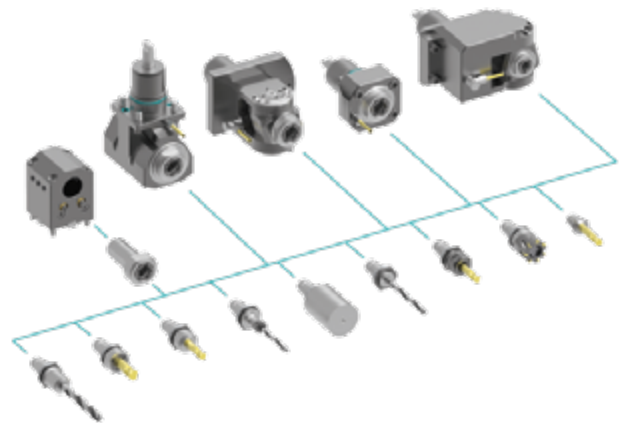
## heimatec.u-tec®

heimatec.com

Products / Tool change systems /  
u-tec® Tool-changing system



versions see catalog



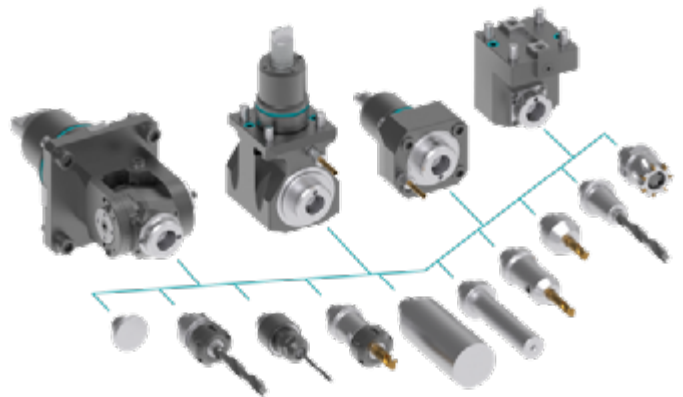
## heimatec.easy-quick

heimatec.com

Products / Tool change systems /  
easy-quick HT quick-changing system



versions see catalog



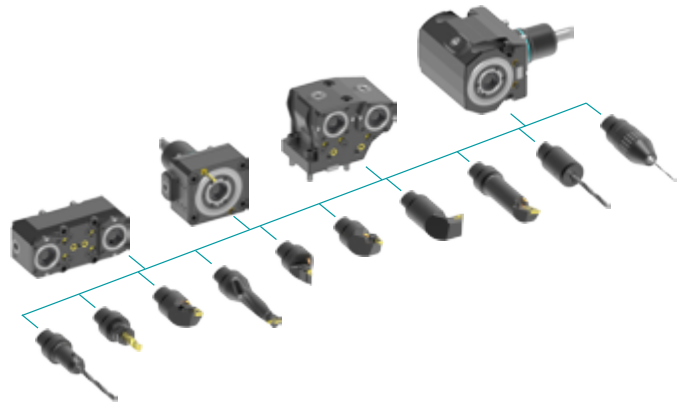
## heimatec.Capto™

heimatec.com

Products / Tool change systems /  
heimatec.Capto™ quick-changing system



versions see catalog



## heimatec.accessories

heimatec.com

Products / Accessories



versions see catalog





● heimatec overseas branches

○ global representations of heimatec

**heimatec**<sup>®</sup>

**heimatec GmbH**  
Präzisionswerkzeuge  
Carl-Benz-Str. 4  
77871 Renchen  
Germany

T +49 7843 9466 0  
[www.heimatec.com](http://www.heimatec.com)  
[info@heimatec.com](mailto:info@heimatec.com)

Please find the contact details of our worldwide trading partners on our website:  
<https://heimatec.com/business-partners>