

HAAS
ST-20 - BOT



High-tech from heimatec - heimatec - Tools and systems for productive turning and milling

heimatec belongs to the international technology and quality leaders for precision tools and specializes in the development and production of high-precision static and live tools for all CNC lathes, CNC turn-/mill machines and CNC machining centers.

The range of products* spans from static BMT and VDI tool holders, live tools up to highly complex customer-specific individual solutions. heimatec, headquartered in Renchen, has a own subsidiary in Asia and India and numerous representatives as well as trading partners all over the world.

*OUR PRODCUTS

Static tool holders

Live tool units

Precision tools

Tools for turning and machining centres

Tools for swiss type lathes

Tool changing and uick-change systems

Tool systems for gear production

Digital tool management

This catalogue, including all its parts, is protected by copyright. Any use outside the restricted limitations of the Copyright Act without the consent of heimatec is inadmissible and liable to prosecution. This applies in particular to duplication, translation, microfilming and storage and processing in electronic systems.

heimatec GmbH reserves the right to make technical changes at any time without giving prior notice. This applies in particular to adjustments at any time to meet new or changed international standards, or in case of further developments of our products or manufacturing processes.

The current version of our General Terms and Conditions can be found on our website.

HAAS

ST-20 - BOT

Part-#	Name	
8 224 15 027	Universal turning holder sq. 25	
	Weight [kg]:	3.300
	Notation:	180° reversible
	Version:	long
	Shank type:	BMT
	Machine adaption:	Centering bore ø 20
	Tool adaption:	Sq. 25
	Coolant:	EXT
8 240 15 017	Boring bar holder Ø 16	
	Weight [kg]:	3.550
	Notation:	180° reversible
	Shank type:	VDI
	Machine adaption:	Centering bore ø 20
	Tool adaption:	Ø 16
	Coolant:	IC/Ext
	Center distance [mm]:	31,75
8 240 16 029	Boring bar holder Ø 20	
	Weight [kg]:	3.700
	Notation:	180° reversible
	Shank type:	VDI
	Machine adaption:	Centering bore ø 20
	Tool adaption:	Ø 20
	Coolant:	IC/Ext
	Center distance [mm]:	31,75
8 240 17 057	Boring bar holder Ø 25	
	Weight [kg]:	3.370
	Notation:	180° reversible
	Shank type:	VDI
	Machine adaption:	Centering bore ø 20
	Tool adaption:	Ø 25
	Coolant:	IC/Ext
	Center distance [mm]:	31,75
8 240 18 031	Boring bar holder Ø 32	
	Weight [kg]:	3.370
	Notation:	180° reversible
	Shank type:	BMT
	Machine adaption:	Centering bore ø 20
	Tool adaption:	Ø 32
	Coolant:	IC/Ext
	Center distance [mm]:	31,75
8 240 18 058	Boring bar holder Ø 1 1/2"	
	Weight [kg]:	4.430
	Notation:	180° reversible
	Shank type:	BMT
	Machine adaption:	Centering bore ø 20
	Tool adaption:	Ø 1 1/2" (38,1mm)
	Coolant:	IC/Ext
	Center distance [mm]:	61,4

Part-#	Name	
8 240 19 068	Boring bar holder Ø 40	
	Weight [kg]:	2.850
	Notation:	180° reversible
	Shank type:	VDI
	Machine adaption:	Centering bore ø 20
	Tool adaption:	Ø 40
	Coolant:	IC/Ext
	Center distance [mm]:	31,75
8 240 19 069	Boring bar holder Ø 50	
	Weight [kg]:	2.100
	Notation:	180° reversible
	Shank type:	VDI
	Machine adaption:	Centering bore ø 20
	Tool adaption:	Ø 50
	Coolant:	IC/Ext
	Center distance [mm]:	33,5
8 244 15 012	Combi facing holder sq. 25	
	Weight [kg]:	3.230
	Notation:	180° reversible
	Shank type:	BMT
	Machine adaption:	Centering key slot b 20
	Tool adaption:	Sq. 25
	Coolant:	EXT
8 251 15 020	Combi double turning holder sq. 25	
	Weight [kg]:	4.570
	Notation:	180° reversible
	Version:	long
	Shank type:	BMT
	Machine adaption:	Centering key slot b 20
	Tool adaption:	Sq. 25
	Coolant:	EXT
8 251 15 021	Combi double turning holder sq. 1"	
	Notation:	180° reversible
	Version:	long
	Shank type:	BMT
	Machine adaption:	Centering key slot b 20
	Tool adaption:	Sq. 1" (25,4mm)
	Coolant:	EXT
8 251 15 022	Combi double turning holder sq. 25	
	Weight [kg]:	2.600
	Notation:	180° reversible
	Version:	short
	Shank type:	BMT
	Machine adaption:	Centering key slot b 20
	Tool adaption:	Sq. 25
	Coolant:	EXT

Part-#	Name	
8 251 15 023	Combi double turning holder sq. 1"	
	Notation:	180° reversible
	Version:	short
	Shank type:	BMT
	Machine adaption:	Centering key slot b 20
	Tool adaption:	Sq. 1" (25,4mm)
	Coolant:	EXT
8 253 15 012	Double boring bar holder Ø 3/4"	
	Notation:	180° reversible
	Version:	short
	Shank type:	BMT
	Machine adaption:	Centering bore ø 20
	Tool adaption:	Ø 3/4" (19,05mm)
	Coolant:	IC/Ext
	Please note:	Center [mm] 45,72(1,8")/83,82(3,3")
8 253 15 013	Double boring bar holder Ø 3/4"	
	Notation:	180° reversible; offset
	Version:	long
	Shank type:	BMT
	Machine adaption:	Centering key slot b 20
	Tool adaption:	Ø 3/4" (19,05mm)
	Coolant:	IC/Ext
	Center distance [mm]:	76,20(3,0")/114,30(4,5")
8 253 16 006	Double boring bar holder Ø 20	
	Weight [kg]:	6.510
	Notation:	180° reversible
	Version:	short
	Shank type:	BMT
	Machine adaption:	Centering bore ø 20
	Tool adaption:	Ø 20
	Coolant:	IC/Ext
	Please note:	Center [mm] 45,72(1,8")/83,82(3,3")
8 253 16 007	Double boring bar holder Ø 20	
	Weight [kg]:	3.940
	Notation:	180° reversible; offset
	Version:	long
	Shank type:	BMT
	Machine adaption:	Centering key slot b 20
	Tool adaption:	Ø 20
	Coolant:	IC/Ext
	Center distance [mm]:	76,20(3,0")/114,30(4,5")
8 253 17 026	Double boring bar holder Ø 25	
	Weight [kg]:	6.240
	Notation:	180° reversible
	Version:	short
	Shank type:	BMT
	Machine adaption:	Centering bore ø 20
	Tool adaption:	Ø 25
	Coolant:	IC/Ext
	Please note:	Center [mm] 45,72(1,8")/83,82(3,3")



heimatec.u-tec®

heimatec.com

Products / Tool change systems /
u-tec® Tool-changing system



versions see catalog



heimatec.easy-quick

heimatec.com

Products / Tool change systems /
easy-quick HT quick-changing system



versions see catalog



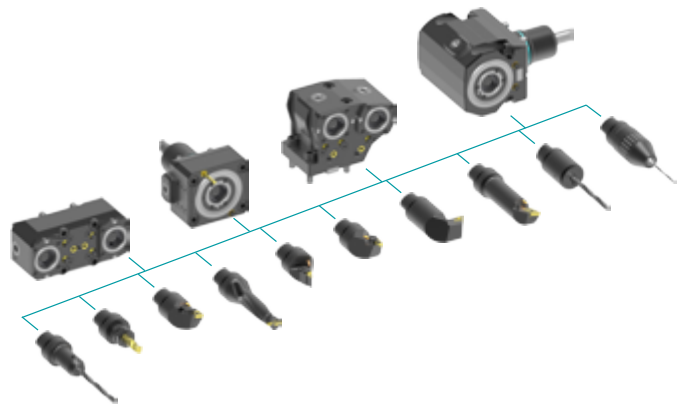
heimatec.Capto™

heimatec.com

Products / Tool change systems /
heimatec.Capto™ quick-changing system



versions see catalog



heimatec.accessories

heimatec.com

Products / Accessories



versions see catalog





● heimatec overseas branches

○ global representations of heimatec

heimatec[®]

heimatec GmbH
Präzisionswerkzeuge
Carl-Benz-Str. 4
77871 Renchen
Germany

T +49 7843 9466 0
www.heimatec.com
info@heimatec.com

Please find the contact details of our worldwide trading partners on our website:
<https://heimatec.com/business-partners>