

Doosan
V 550 M



High-tech from heimatec - heimatec - Tools and systems for productive turning and milling

heimatec belongs to the international technology and quality leaders for precision tools and specializes in the development and production of high-precision static and live tools for all CNC lathes, CNC turn-/mill machines and CNC machining centers.

The range of products* spans from static BMT and VDI tool holders, live tools up to highly complex customer-specific individual solutions. heimatec, headquartered in Renchen, has a own subsidiary in Asia and India and numerous representatives as well as trading partners all over the world.

*OUR PRODCUTS

Static tool holders

Live tool units

Precision tools

Tools for turning and machining centres

Tools for swiss type lathes

Tool changing and uick-change systems

Tool systems for gear production

Digital tool management

This catalogue, including all its parts, is protected by copyright. Any use outside the restricted limitations of the Copyright Act without the consent of heimatec is inadmissible and liable to prosecution. This applies in particular to duplication, translation, microfilming and storage and processing in electronic systems.

heimatec GmbH reserves the right to make technical changes at any time without giving prior notice. This applies in particular to adjustments at any time to meet new or changed international standards, or in case of further developments of our products or manufacturing processes.

The current version of our General Terms and Conditions can be found on our website.

Part-#	Name	
8 010 55 083	Axial drilling and milling head ABS 50	
	Weight [kg]:	5.310
	Tool drive:	DIN 5482
	Shank size [mm]:	50.00
	Shank type:	VDI
	Tool adaption:	ABS 50
	Gear ratio [i]:	1:1
	Torque max [Nm]:	63
	Rotation max [1/min]:	4000
	Rotating direction:	same
	Coolant:	EXT
8 010 56 000	Axial drilling and milling head Weldon 20 IC	
	Tool drive:	DIN 5482
	Shank size [mm]:	50.00
	Shank type:	VDI
	Tool adaption:	Weldon (DIN 1835 b) 20
	Gear ratio [i]:	1:1
	Torque max [Nm]:	63
	Rotation max [1/min]:	4000
	Rotating direction:	same
	Coolant:	IC/Ext
	Pressure max [bar]:	25
8 010 56 001	Axial drilling and milling head Weldon 20	
	Tool drive:	DIN 5482
	Shank type:	VDI
	Tool adaption:	Weldon (DIN 1835 b) 20
	Gear ratio [i]:	1:1
	Torque max [Nm]:	63
	Rotation max [1/min]:	3000
	Rotating direction:	same
	Coolant:	EXT
8 010 56 010	Axial drilling and milling head Weldon 20	
	Tool drive:	DIN 5482
	Shank size [mm]:	50.00
	Shank type:	VDI
	Tool adaption:	Weldon (DIN 1835 b) 20
	Gear ratio [i]:	1:1
	Torque max [Nm]:	63
	Rotation max [1/min]:	3000
	Rotating direction:	same
	Coolant:	EXT
	Please note:	stronger bearing
8 010 57 011	Axial drilling and milling head ER 40	
	Weight [kg]:	5.400
	Tool drive:	DIN 5482
	Shank size [mm]:	50.00
	Shank type:	VDI
	Tool adaption:	ER 40
	Gear ratio [i]:	1:1
	Torque max [Nm]:	63
	Rotation max [1/min]:	4000
	Rotating direction:	same
	Coolant:	EXT

Part-#	Name	
8 010 57 028	Axial drilling and milling head C 25 IC	
	Tool drive:	DIN 5482
	Shank size [mm]:	50.00
	Shank type:	VDI
	Tool adaption:	DIN 6388 - C 25
	Gear ratio [i]:	1:1
	Torque max [Nm]:	63
	Rotation max [1/min]:	3000
	Rotating direction:	same
	Coolant:	IC/Ext
	Pressure max [bar]:	25
8 010 57 075	Axial drilling and milling head ER 40 AX UT IC	
	Weight [kg]:	5.330
	Tool drive:	DIN 5482
	Shank size [mm]:	50.00
	Shank type:	VDI
	Tool adaption:	ER 40 A - u-tec
	Gear ratio [i]:	1:1
	Torque max [Nm]:	63
	Rotation max [1/min]:	4000
	Rotating direction:	same
	Coolant:	IC/Ext
	Pressure max [bar]:	25
8 010 59 000	Axial drilling and milling head SK 40	
	Tool drive:	DIN 5482
	Shank size [mm]:	50.00
	Shank type:	VDI
	Tool adaption:	DIN 2079 - SK 40
	Gear ratio [i]:	1:1
	Torque max [Nm]:	63
	Rotation max [1/min]:	4000
	Rotating direction:	same
	Coolant:	EXT
8 011 56 007	Axial milling head universal arbor 27	
	Tool drive:	DIN 5482
	Shank size [mm]:	50.00
	Shank type:	VDI
	Tool adaption:	Universal arbor 27
	Gear ratio [i]:	1:1
	Torque max [Nm]:	80
	Rotation max [1/min]:	3000
	Rotating direction:	same
	Coolant:	EXT
	Please note:	Taper roller bearings
8 019 56 004	Axial drilling and milling head HT 4 IC	
	Weight [kg]:	7.160
	Notation:	offset
	Tool drive:	DIN 5482
	Shank size [mm]:	50.00
	Shank type:	VDI
	Tool adaption:	HT 4
	Gear ratio [i]:	1:1
	Torque max [Nm]:	32
	Rotation max [1/min]:	4000

Part-#	Name	
	Rotating direction:	same
	Coolant:	IC/Ext
	Offset [mm]:	65
8 019 56 020	Axial drilling and milling head ER 32	
	Notation:	offset
	Version:	right
	Tool drive:	DIN 5482
	Shank size [mm]:	50.00
	Shank type:	VDI
	Tool adaption:	ER 32
	Gear ratio [i]:	1:1
	Torque max [Nm]:	63
	Rotation max [1/min]:	6000
	Rotating direction:	opposite
	Coolant:	EXT
	Please note:	stronger bearing
	Offset [mm]:	50
8 019 57 034	Axial drilling and milling head ER 40	
	Weight [kg]:	7.810
	Notation:	offset
	Version:	right
	Tool drive:	DIN 5482
	Shank size [mm]:	50.00
	Shank type:	VDI
	Tool adaption:	ER 40
	Gear ratio [i]:	2:1
	Torque max [Nm]:	80
	Rotation max [1/min]:	3000
	Rotating direction:	opposite
	Coolant:	EXT
	Please note:	stronger bearing
	Offset [mm]:	50
8 019 58 001	Axial drilling and milling head HT 6 IC	
	Weight [kg]:	13.800
	Notation:	offset
	Version:	right
	Tool drive:	DIN 5482
	Shank size [mm]:	50.00
	Shank type:	VDI
	Tool adaption:	HT 6
	Gear ratio [i]:	1:2
	Torque max [Nm]:	50
	Rotation max [1/min]:	8000
	Rotating direction:	opposite
	Coolant:	IC/Ext
	Pressure max [bar]:	25
	Offset [mm]:	75
8 030 55 018	Radial drilling and milling head ER 25	
	Tool drive:	DIN 5482
	Shank size [mm]:	50.00
	Shank type:	VDI
	Tool adaption:	ER 25
	Gear ratio [i]:	1:2
	Torque max [Nm]:	16

Part-#	Name	
	Rotation max [1/min]:	8000
	Rotating direction:	opposite
	Coolant:	EXT
	Center distance [mm]:	69
8 030 58 004	Radial drilling and milling head HT 6	
	Tool drive:	DIN 5482
	Shank size [mm]:	50.00
	Shank type:	VDI
	Tool adaption:	HT 6
	Gear ratio [i]:	1:2
	Torque max [Nm]:	16
	Rotation max [1/min]:	8000
	Rotating direction:	opposite
	Coolant:	EXT
	Please note:	stronger bearing
	Center distance [mm]:	69
8 030 58 013	Radial drilling and milling head Weldon 32 IC	
	Version:	right
	Tool drive:	DIN 5482
	Shank size [mm]:	50.00
	Shank type:	VDI
	Tool adaption:	Weldon (DIN 1835 b) 32
	Gear ratio [i]:	1:1
	Torque max [Nm]:	50
	Rotation max [1/min]:	6000
	Rotating direction:	opposite
	Coolant:	IC/Ext
	Pressure max [bar]:	25
	Please note:	stronger bearing
	Center distance [mm]:	69
8 033 57 000	Radial drilling and milling head ER 40	
	Weight [kg]:	9.640
	Tool drive:	DIN 5482
	Shank size [mm]:	50.00
	Shank type:	VDI
	Tool adaption:	ER 40
	Gear ratio [i]:	1,625:1
	Torque max [Nm]:	63
	Rotation max [1/min]:	3000
	Rotating direction:	same
	Coolant:	EXT
8 033 58 012	Radial drilling and milling head Weldon 32	
	Notation:	offset
	Version:	right
	Tool drive:	DIN 5482
	Shank size [mm]:	50.00
	Shank type:	VDI
	Tool adaption:	Weldon (DIN 1835 b) 32
	Gear ratio [i]:	1:1
	Torque max [Nm]:	50
	Rotation max [1/min]:	6000
	Rotating direction:	same
	Coolant:	EXT
	Please note:	stronger bearing

Part-#	Name	
	Center distance [mm]:	110
8 039 55 010	Radial drilling and milling head Weldon 16 IC	
	Notation:	30° angle
	Version:	left
	Tool drive:	DIN 5482
	Shank size [mm]:	50.00
	Shank type:	VDI
	Tool adaption:	Weldon (DIN 1835 b) 16
	Gear ratio [i]:	1:1
	Torque max [Nm]:	63
	Rotation max [1/min]:	6000
	Rotating direction:	opposite
	Coolant:	IC/Ext
	Pressure max [bar]:	25
	Please note:	with special rail
8 040 57 009	Universal head ± 90° adjustable HT 5	
	Weight [kg]:	14.980
	Tool drive:	DIN 5482
	Shank size [mm]:	50.00
	Shank type:	VDI
	Tool adaption:	HT 5
	Gear ratio [i]:	1:1
	Torque max [Nm]:	50
	Rotation max [1/min]:	4000
	Rotating direction:	same
	Coolant:	EXT
	Center distance [mm]:	123
8 050 57 000	Multispindle drilling head HT 5	
	Weight [kg]:	8.540
	Tool drive:	DIN 5482
	Shank size [mm]:	50.00
	Shank type:	VDI
	Tool adaption:	HT 5
	Gear ratio [i]:	1:1,4
	Torque max [Nm]:	32/Sp.
	Rotation max [1/min]:	5000
	Rotating direction:	opposite
	Coolant:	EXT
	Please note:	Price without quick change inserts
8 050 57 001	Multispindle drilling head HT 5	
	Weight [kg]:	8.640
	Tool drive:	DIN 5482
	Shank size [mm]:	50.00
	Shank type:	VDI
	Tool adaption:	HT 5
	Gear ratio [i]:	1:1,2
	Torque max [Nm]:	32/Sp.
	Rotation max [1/min]:	5000
	Rotating direction:	opposite
	Coolant:	EXT
	Please note:	Price without quick change inserts

Part-#	Name	
8 200 51 002	Tool holder A2-50x135	
	Weight [kg]:	9.200
	Shank size [mm]:	50.00
	Shank type:	VDI
8 200 51 003	Tool holder A2-50x220	
	Weight [kg]:	14.240
	Shank size [mm]:	50.00
	Shank type:	VDI
8 200 51 004	Tool holder A2-50x400	
	Weight [kg]:	24.700
	Shank size [mm]:	50.00
	Shank type:	VDI
8 200 51 005	Plug Z2-50 S	
	Weight [kg]:	2.260
	Shank size [mm]:	50.00
	Shank type:	VDI
8 200 51 006	Plug Z2-50 K	
	Weight [kg]:	0.200
	Shank size [mm]:	50.00
	Shank type:	VDI
8 200 55 000	Tool holder A1-50x125	
	Weight [kg]:	19.800
	Shank size [mm]:	50.00
	Shank type:	VDI
8 208 59 002	Test mandrel VDI 50x40x200	
	Weight [kg]:	3.860
	Shank size [mm]:	50.00
	Shank type:	VDI
8 210 52 000	Tool holder F 50-MK 2	
	Shank size [mm]:	50.00
	Shank type:	VDI
	Tool adaption:	DIN 228 D - MK 2
	Coolant:	IC
8 210 53 000	Tool holder F 50-MK 3	
	Weight [kg]:	2.700
	Shank size [mm]:	50.00
	Shank type:	VDI
	Tool adaption:	DIN 228 D - MK 3
	Coolant:	IC
8 210 53 001	Tool holder E2-50x 8	
	Shank size [mm]:	50.00
	Shank type:	VDI
	Tool adaption:	Ø 8
	Coolant:	IC/Ext

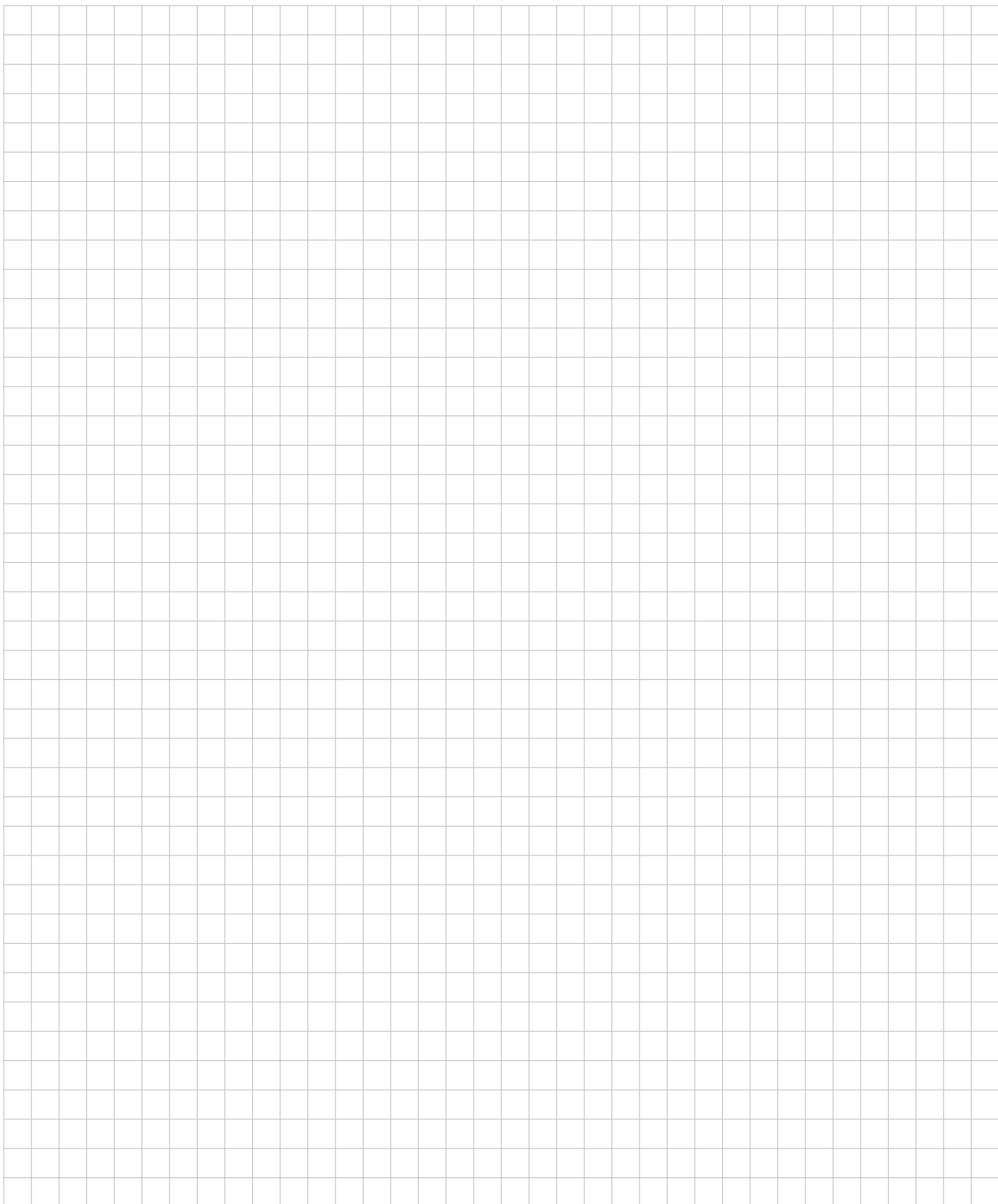
Part-#	Name	
8 210 54 000	Tool holder E1-50x10	
	Shank size [mm]:	50.00
	Shank type:	VDI
	Tool adaption:	Ø 10
	Coolant:	IC
8 210 54 001	Tool holder E1-50x12	
	Shank size [mm]:	50.00
	Shank type:	VDI
	Tool adaption:	Ø 12
	Coolant:	IC
8 210 54 002	Tool holder E2-50x12	
	Shank size [mm]:	50.00
	Shank type:	VDI
	Tool adaption:	Ø 12
	Coolant:	IC/Ext
8 210 54 003	Tool holder F 50-MK 4	
	Weight [kg]:	2.760
	Shank size [mm]:	50.00
	Shank type:	VDI
	Tool adaption:	DIN 228 D - MK 4
	Coolant:	IC
8 210 54 004	Short drill chuck VDI 50x13	
	Shank size [mm]:	50.00
	Shank type:	VDI
	Coolant:	EXT
8 210 54 005	Short drill chuck VDI 50x13 - IC	
	Weight [kg]:	2.920
	Shank size [mm]:	50.00
	Shank type:	VDI
	Coolant:	IC
8 210 54 006	Tool holder E2-50x10	
	Shank size [mm]:	50.00
	Shank type:	VDI
	Tool adaption:	Ø 10
	Coolant:	IC/Ext
8 210 55 000	Tool holder E1-50x16	
	Shank size [mm]:	50.00
	Shank type:	VDI
	Tool adaption:	Ø 16
	Coolant:	IC
8 210 55 001	Tool holder E2-50x16	
	Shank size [mm]:	50.00
	Shank type:	VDI
	Tool adaption:	Ø 16
	Coolant:	IC/Ext

Part-#	Name	
8 210 55 002	Tool holder F 50-MK 5	
	Weight [kg]:	8.320
	Shank size [mm]:	50.00
	Shank type:	VDI
	Tool adaption:	DIN 228 D - MK 5
	Coolant:	IC
8 210 55 003	Short drill chuck VDI 50x16	
	Shank size [mm]:	50.00
	Shank type:	VDI
	Coolant:	EXT
8 210 55 004	Short drill chuck VDI 50x16 - IC	
	Weight [kg]:	3.120
	Shank size [mm]:	50.00
	Shank type:	VDI
	Coolant:	IC
8 210 56 000	Tool holder E1-50x20	
	Shank size [mm]:	50.00
	Shank type:	VDI
	Tool adaption:	Ø 20
	Coolant:	IC
8 210 56 001	Tool holder E2-50x20	
	Shank size [mm]:	50.00
	Shank type:	VDI
	Tool adaption:	Ø 20
	Coolant:	IC/Ext
8 210 57 000	Tool holder E2-50x25	
	Shank size [mm]:	50.00
	Shank type:	VDI
	Tool adaption:	Ø 25
	Coolant:	IC/Ext
8 210 57 001	Tool holder E1-50x25	
	Shank size [mm]:	50.00
	Shank type:	VDI
	Tool adaption:	Ø 25
	Coolant:	IC
8 210 57 002	Tool holder E3-50x C 25	
	Weight [kg]:	3.180
	Shank size [mm]:	50.00
	Shank type:	VDI
	Tool adaption:	DIN 6388 - C 25
	Coolant:	IC
8 210 57 003	Tool holder E4-50xER 40	
	Shank size [mm]:	50.00
	Shank type:	VDI
	Tool adaption:	ER 40
	Coolant:	IC

Part-#	Name	
8 210 58 000	Tool holder E1-50x32	
	Shank size [mm]:	50.00
	Shank type:	VDI
	Tool adaption:	Ø 32
	Coolant:	IC
8 210 58 001	Tool holder E2-50x32	
	Shank size [mm]:	50.00
	Shank type:	VDI
	Tool adaption:	Ø 32
	Coolant:	IC/Ext
8 210 58 002	Tool holder E3-50x C 32	
	Weight [kg]:	3.620
	Shank size [mm]:	50.00
	Shank type:	VDI
	Tool adaption:	DIN 6388 - C 32
	Coolant:	IC
8 210 59 001	Tool holder E2-50x50	
	Shank size [mm]:	50.00
	Shank type:	VDI
	Tool adaption:	Ø 50
	Coolant:	IC/Ext
8 210 59 002	Tool holder E1-50x40	
	Shank size [mm]:	50.00
	Shank type:	VDI
	Tool adaption:	Ø 40
	Coolant:	IC
8 210 59 003	Tool holder E1-50x50	
	Shank size [mm]:	50.00
	Shank type:	VDI
	Tool adaption:	Ø 50
	Coolant:	IC
8 210 59 004	Tool holder E2-50x40	
	Shank size [mm]:	50.00
	Shank type:	VDI
	Tool adaption:	Ø 40
	Coolant:	IC/Ext
8 210 59 005	Tool holder E1-50x44 - special	
	Shank size [mm]:	50.00
	Shank type:	VDI
	Tool adaption:	Ø 44
	Coolant:	IC
	Please note:	Special version
8 210 59 006	Tool holder E1-50x63 - special	
	Shank size [mm]:	50.00
	Shank type:	VDI
	Tool adaption:	Ø 63
	Coolant:	IC
	Please note:	Special version

Part-#	Name	
8 214 54 000	Tool holder C1-50x32	
	Weight [kg]:	5.660
	Shank size [mm]:	50.00
	Shank type:	VDI
	Tool adaption:	Sq. 32/25
	Coolant:	EXT
8 214 54 001	Tool holder C3-50x32	
	Weight [kg]:	6.080
	Shank size [mm]:	50.00
	Shank type:	VDI
	Tool adaption:	Sq. 32/25
	Coolant:	EXT
8 234 54 000	Tool holder B1-50x32x55	
	Shank size [mm]:	50.00
	Shank type:	VDI
	Tool adaption:	Sq. 32/25
	Coolant:	EXT
8 234 54 001	Tool holder B3-50x32x55	
	Weight [kg]:	4.420
	Shank size [mm]:	50.00
	Shank type:	VDI
	Tool adaption:	Sq. 32/25
	Coolant:	EXT
8 234 54 002	Tool holder B5-50x32x55	
	Weight [kg]:	5.220
	Shank size [mm]:	50.00
	Shank type:	VDI
	Tool adaption:	Sq. 32/25
	Coolant:	EXT
8 234 54 003	Tool holder B7-50x32x55	
	Weight [kg]:	5.640
	Shank size [mm]:	50.00
	Shank type:	VDI
	Tool adaption:	Sq. 32/25
	Coolant:	EXT
8 320 53 004	Cut-off holder, height adjustable SH 32 IC	
	Version:	universal
	Shank size [mm]:	50.00
	Shank type:	VDI
	Tool adaption:	Clampshaft SH 32
	Coolant:	IC/Ext
	Pressure max [bar]:	70





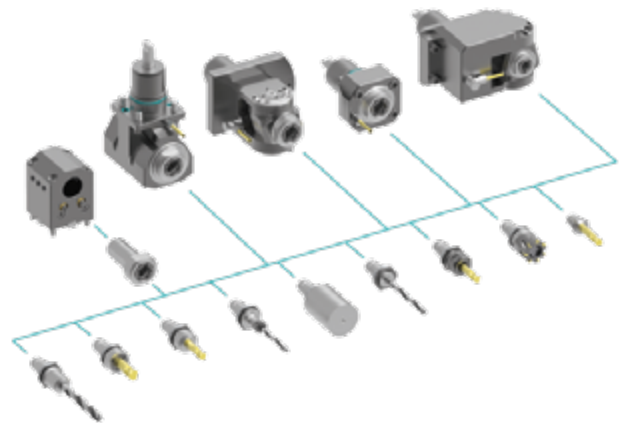
heimatec.u-tec®

heimatec.com

Products / Tool change systems /
u-tec® Tool-changing system



versions see catalog



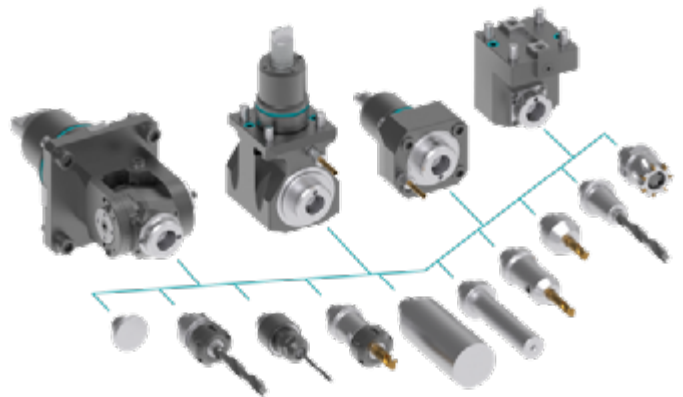
heimatec.easy-quick

heimatec.com

Products / Tool change systems /
easy-quick HT quick-changing system



versions see catalog



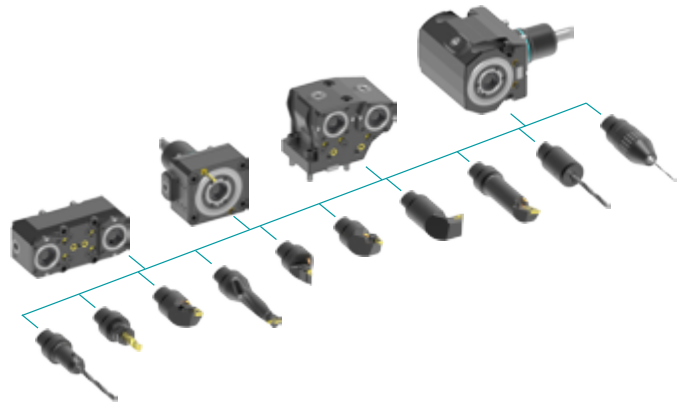
heimatec.Capto™

heimatec.com

Products / Tool change systems /
heimatec.Capto™ quick-changing system



versions see catalog



heimatec.accessories

heimatec.com

Products / Accessories



versions see catalog





● heimatec overseas branches

○ global representations of heimatec

heimatec[®]

heimatec GmbH
Präzisionswerkzeuge
Carl-Benz-Str. 4
77871 Renchen
Germany

T +49 7843 9466 0
www.heimatec.com
info@heimatec.com

Please find the contact details of our worldwide trading partners on our website:
<https://heimatec.com/business-partners>