

Victor  
**Vturn 26/110 CV**  
**- 12 Stationen**



# High-tech from heimatec - heimatec - Tools and systems for productive turning and milling

heimatec belongs to the international technology and quality leaders for precision tools and specializes in the development and production of high-precision static and live tools for all CNC lathes, CNC turn-/mill machines and CNC machining centers.

The range of products\* spans from static BMT and VDI tool holders, live tools up to highly complex customer-specific individual solutions. heimatec, headquartered in Renchen, has a own subsidiary in Asia and India and numerous representatives as well as trading partners all over the world.

## \*OUR PRODCUTS

Static tool holders

Live tool units

Precision tools

Tools for turning and machining centres

Tools for swiss type lathes

Tool changing and uick-change systems

Tool systems for gear production

Digital tool management

This catalogue, including all its parts, is protected by copyright. Any use outside the restricted limitations of the Copyright Act without the consent of heimatec is inadmissible and liable to prosecution. This applies in particular to duplication, translation, microfilming and storage and processing in electronic systems.

**heimatec GmbH** reserves the right to make technical changes at any time without giving prior notice. This applies in particular to adjustments at any time to meet new or changed international standards, or in case of further developments of our products or manufacturing processes.

The current version of our General Terms and Conditions can be found on our website.

Victor

## Vturn 26/110 CV - 12 Stationen

heimatec®

Part-#	Name	
<b>8 010 46 009</b>	<b>Axial drilling and milling head ER 32</b>	
	Weight [kg]:	3.340
	Tool drive:	Flat (~DIN 1809)
	Shank size [mm]:	40.00
	Shank type:	VDI
	Tool adaption:	ER 32
	Gear ratio [i]:	1:1
	Torque max [Nm]:	50
	Rotation max [1/min]:	6000
	Rotating direction:	same
	Coolant:	EXT
	Please note:	round housing ø 84
<b>8 010 46 069</b>	<b>Axial drilling and milling head ER 32 IC</b>	
	Weight [kg]:	3.530
	Tool drive:	Flat (~DIN 1809)
	Shank size [mm]:	40.00
	Shank type:	VDI
	Tool adaption:	ER 32
	Gear ratio [i]:	1:1
	Torque max [Nm]:	50
	Rotation max [1/min]:	6000
	Rotating direction:	same
	Coolant:	IC/Ext
	Pressure max [bar]:	25
	Please note:	round housing ø 84
<b>8 010 46 203</b>	<b>Axial drilling and milling head ER 32 AX UT IC</b>	
	Weight [kg]:	3.500
	Tool drive:	Flat (~DIN 1809)
	Shank size [mm]:	40.00
	Shank type:	VDI
	Tool adaption:	ER 32 A - u-tec
	Gear ratio [i]:	1:1
	Torque max [Nm]:	50
	Rotation max [1/min]:	6000
	Rotating direction:	same
	Coolant:	IC/Ext
	Pressure max [bar]:	25
<b>8 010 46 223</b>	<b>Axial drilling and milling head ER 32 AX UT</b>	
	Weight [kg]:	3.310
	Tool drive:	Flat (~DIN 1809)
	Shank size [mm]:	40.00
	Shank type:	VDI
	Tool adaption:	ER 32 A - u-tec
	Gear ratio [i]:	1:1
	Torque max [Nm]:	50
	Rotation max [1/min]:	6000
	Rotating direction:	same
	Coolant:	EXT
	Please note:	round housing ø 84

Part-#	Name	
<b>8 010 46 250</b>	<b>Axial drilling and milling head ER 32 AX UT</b>	
	Weight [kg]:	3.300
	Tool drive:	Flat (~DIN 1809)
	Shank size [mm]:	40.00
	Shank type:	VDI
	Tool adaption:	ER 32 A - u-tec
	Gear ratio [i]:	1:1
	Torque max [Nm]:	50
	Rotation max [1/min]:	6000
	Rotating direction:	same
	Coolant:	EXT
	Please note:	Combi bearing
<b>8 010 46 269</b>	<b>Axial drilling and milling head ER 32 AX UT</b>	
	Weight [kg]:	3.120
	Tool drive:	Flat (~DIN 1809)
	Shank size [mm]:	40.00
	Shank type:	VDI
	Tool adaption:	ER 32 A - u-tec
	Gear ratio [i]:	1:1
	Torque max [Nm]:	50
	Rotation max [1/min]:	6000
	Rotating direction:	same
	Coolant:	EXT
	Please note:	short version; round housing ø 84
<b>8 010 47 040</b>	<b>Axial drilling and milling head HT 5</b>	
	Tool drive:	Flat (~DIN 1809)
	Shank size [mm]:	40.00
	Shank type:	VDI
	Tool adaption:	HT 5
	Gear ratio [i]:	1:1
	Torque max [Nm]:	50
	Rotation max [1/min]:	6000
	Rotating direction:	same
	Coolant:	EXT
	Please note:	round housing ø 84
<b>8 014 45 000</b>	<b>Axial milling head universal arbor 22</b>	
	Tool drive:	Flat (~DIN 1809)
	Shank size [mm]:	40.00
	Shank type:	VDI
	Tool adaption:	Universal arbor 22
	Gear ratio [i]:	3:1
	Torque max [Nm]:	75
	Rotation max [1/min]:	3000
	Rotating direction:	same
	Coolant:	EXT
<b>8 030 45 067</b>	<b>Radial drilling and milling head ER 25</b>	
	Weight [kg]:	3.820
	Version:	left
	Tool drive:	Flat (~DIN 1809)
	Shank size [mm]:	40.00
	Shank type:	VDI
	Tool adaption:	ER 25
	Gear ratio [i]:	1:1
	Torque max [Nm]:	25

Victor

## Vturn 26/110 CV - 12 Stationen

heimatec®

Part-#	Name	
	Rotation max [1/min]:	6000
	Rotating direction:	opposite
	Coolant:	EXT
	Center distance [mm]:	54
<b>8 030 46 084</b>	<b>Radial drilling and milling head ER 32</b>	
	Weight [kg]:	5.360
	Version:	left
	Tool drive:	Flat (~DIN 1809)
	Shank size [mm]:	40.00
	Shank type:	VDI
	Tool adaption:	ER 32
	Gear ratio [i]:	1:1
	Torque max [Nm]:	50
	Rotation max [1/min]:	6000
	Rotating direction:	opposite
	Coolant:	EXT
	Center distance [mm]:	69



## heimatec.u-tec®

heimatec.com

Products / Tool change systems /  
u-tec® Tool-changing system



versions see catalog



## heimatec.easy-quick

heimatec.com

Products / Tool change systems /  
easy-quick HT quick-changing system



versions see catalog



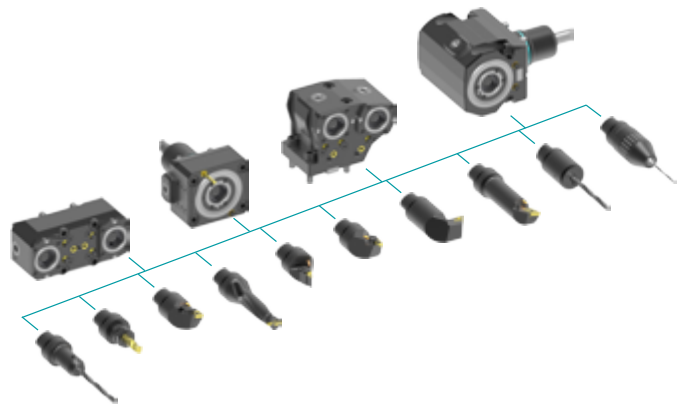
## heimatec.Capto™

heimatec.com

Products / Tool change systems /  
heimatec.Capto™ quick-changing system



versions see catalog



## heimatec.accessories

heimatec.com

Products / Accessories



versions see catalog





● heimatec overseas branches

○ global representations of heimatec

**heimatec**<sup>®</sup>

**heimatec GmbH**  
Präzisionswerkzeuge  
Carl-Benz-Str. 4  
77871 Renchen  
Germany

T +49 7843 9466 0  
[www.heimatec.com](http://www.heimatec.com)  
[info@heimatec.com](mailto:info@heimatec.com)

Please find the contact details of our worldwide trading partners on our website:  
<https://heimatec.com/business-partners>