

Victor  
**Vturn 40 CV -**  
**VDI 50 DIN 5480**



# High-tech from heimatec - heimatec - Tools and systems for productive turning and milling

heimatec belongs to the international technology and quality leaders for precision tools and specializes in the development and production of high-precision static and live tools for all CNC lathes, CNC turn-/mill machines and CNC machining centers.

The range of products\* spans from static BMT and VDI tool holders, live tools up to highly complex customer-specific individual solutions. heimatec, headquartered in Renchen, has a own subsidiary in Asia and India and numerous representatives as well as trading partners all over the world.

## \*OUR PRODCUTS

Static tool holders

Live tool units

Precision tools

Tools for turning and machining centres

Tools for swiss type lathes

Tool changing and uick-change systems

Tool systems for gear production


Digital tool management

This catalogue, including all its parts, is protected by copyright. Any use outside the restricted limitations of the Copyright Act without the consent of heimatec is inadmissible and liable to prosecution. This applies in particular to duplication, translation, microfilming and storage and processing in electronic systems.

**heimatec GmbH** reserves the right to make technical changes at any time without giving prior notice. This applies in particular to adjustments at any time to meet new or changed international standards, or in case of further developments of our products or manufacturing processes.

The current version of our General Terms and Conditions can be found on our website.

| Part-#              | Name  |                 |
|---------------------|---|-----------------|
| <b>8 010 57 080</b> | <b>Axial drilling and milling head ER 40 AX UT</b>    |                 |
|                     | Weight [kg]:  | 5.120           |
|                     | Tool drive:   | DIN 5480        |
|                     | Shank size [mm]:                                      | 50.00           |
|                     | Shank type:   | VDI             |
|                     | Tool adaption:  | ER 40 A - u-tec |
|                     | Gear ratio [i]:                                       | 1:1             |
|                     | Torque max [Nm]:                                      | 100             |
|                     | Rotation max [1/min]:                                 | 4000            |
|                     | Rotating direction:                                   | same            |
|                     | Coolant:  | EXT             |
| <b>8 010 57 087</b> | <b>Axial drilling and milling head ER 40 AX UT IC</b> |                 |
|                     | Weight [kg]:  | 5.240           |
|                     | Tool drive:   | DIN 5480        |
|                     | Shank size [mm]:                                      | 50.00           |
|                     | Shank type:   | VDI             |
|                     | Tool adaption:  | ER 40 A - u-tec |
|                     | Gear ratio [i]:                                       | 1:1             |
|                     | Torque max [Nm]:                                      | 100             |
|                     | Rotation max [1/min]:                                 | 4000            |
|                     | Rotating direction:                                   | same            |
|                     | Coolant:  | IC/Ext          |
|                     | Pressure max [bar]:                                   | 25              |
| <b>8 010 58 005</b> | <b>Axial drilling and milling head HT 6 IC</b>        |                 |
|                     | Weight [kg]:  | 5.500           |
|                     | Tool drive:   | DIN 5480        |
|                     | Shank size [mm]:                                      | 50.00           |
|                     | Shank type:   | VDI             |
|                     | Tool adaption:  | HT 6            |
|                     | Gear ratio [i]:                                       | 1:1             |
|                     | Torque max [Nm]:                                      | 63              |
|                     | Rotation max [1/min]:                                 | 4000            |
|                     | Rotating direction:                                   | same            |
|                     | Coolant:  | IC/Ext          |
|                     | Pressure max [bar]:                                   | 25              |
| <b>8 030 56 037</b> | <b>Radial drilling and milling head ER 32</b>         |                 |
|                     | Weight [kg]:  | 8.100           |
|                     | Version:  | right           |
|                     | Tool drive:   | DIN 5480        |
|                     | Shank size [mm]:                                      | 50.00           |
|                     | Shank type:   | VDI             |
|                     | Tool adaption:  | ER 32           |
|                     | Gear ratio [i]:                                       | 1:1             |
|                     | Torque max [Nm]:                                      | 50              |
|                     | Rotation max [1/min]:                                 | 4000            |
|                     | Rotating direction:                                   | opposite        |
|                     | Coolant:  | EXT             |
|                     | Center distance [mm]:                                 | 120             |

| Part-#  | Name   |                  |
|---|--|------------------|
| <b>8 030 57 089</b>   | <b>Radial drilling and milling head ER 40 AX UT</b>              |                  |
|   | Weight [kg]:   | 8.980            |
|   | Version:   | right            |
|   | Tool drive:  | DIN 5480         |
|   | Shank size [mm]:   | 50.00            |
|   | Shank type:  | VDI              |
|   | Tool adaption:   | ER 40 u-tec      |
|   | Gear ratio [i]:  | 1:1              |
|   | Torque max [Nm]:   | 50               |
|   | Rotation max [1/min]:  | 4000             |
|   | Rotating direction:  | opposite         |
|   | Coolant:   | EXT              |
|   | Please note:   | stronger bearing |
|   | Center distance [mm]:  | 120              |
| <b>8 030 57 090</b>   | <b>Radial drilling and milling head ER 40 AX UT IC</b>           |                  |
|   | Version:   | right            |
|   | Tool drive:  | DIN 5480         |
|   | Shank size [mm]:   | 50.00            |
|   | Shank type:  | VDI              |
|   | Tool adaption:   | ER 40 A - u-tec  |
|   | Gear ratio [i]:  | 1:1              |
|   | Torque max [Nm]:   | 50               |
|   | Rotation max [1/min]:  | 6000             |
|   | Rotating direction:  | opposite         |
|   | Coolant:   | IC/Ext           |
|   | Pressure max [bar]:  | 140              |
|   | Please note:   | stronger bearing |
|   | Center distance [mm]:  | 120              |
| <b>8 040 57 002</b>   | <b>Universal head <math>\pm 90^\circ</math> adjustable ER 40</b> |                  |
|  | Weight [kg]:   | 14.890           |
|   | Version:   | right            |
|   | Tool drive:  | DIN 5480         |
|   | Shank size [mm]:   | 50.00            |
|   | Shank type:  | VDI              |
|   | Tool adaption:   | ER 40            |
|   | Gear ratio [i]:  | 1:1              |
|   | Torque max [Nm]:   | 50               |
|   | Rotation max [1/min]:  | 4000             |
|   | Rotating direction:  | same             |
|   | Coolant:   | EXT              |
|   | Center distance [mm]:  | 123              |
| <b>8 200 51 002</b>   | <b>Tool holder A2-50x135</b>                                     |                  |
|   | Weight [kg]:   | 9.200            |
|   | Shank size [mm]:   | 50.00            |
|   | Shank type:  | VDI              |
| <b>8 200 51 003</b>   | <b>Tool holder A2-50x220</b>                                     |                  |
|   | Weight [kg]:   | 14.240           |
|   | Shank size [mm]:   | 50.00            |
|   | Shank type:  | VDI              |

Victor

## Vturn 40 CV - VDI 50 DIN 5480

heimatec®

| Part-#              | Name                              |                  |
|---------------------|-----------------------------------|------------------|
| <b>8 200 51 004</b> | <b>Tool holder A2-50x400</b>      |                  |
|                     | Weight [kg]:                      | 24.700           |
|                     | Shank size [mm]:                  | 50.00            |
|                     | Shank type:                       | VDI              |
| <b>8 200 51 005</b> | <b>Plug Z2-50 S</b>               |                  |
|                     | Weight [kg]:                      | 2.260            |
|                     | Shank size [mm]:                  | 50.00            |
|                     | Shank type:                       | VDI              |
| <b>8 200 51 006</b> | <b>Plug Z2-50 K</b>               |                  |
|                     | Weight [kg]:                      | 0.200            |
|                     | Shank size [mm]:                  | 50.00            |
|                     | Shank type:                       | VDI              |
| <b>8 200 55 000</b> | <b>Tool holder A1-50x125</b>      |                  |
|                     | Weight [kg]:                      | 19.800           |
|                     | Shank size [mm]:                  | 50.00            |
|                     | Shank type:                       | VDI              |
| <b>8 208 59 002</b> | <b>Test mandrel VDI 50x40x200</b> |                  |
|                     | Weight [kg]:                      | 3.860            |
|                     | Shank size [mm]:                  | 50.00            |
|                     | Shank type:                       | VDI              |
| <b>8 210 52 000</b> | <b>Tool holder F 50-MK 2</b>      |                  |
|                     | Shank size [mm]:                  | 50.00            |
|                     | Shank type:                       | VDI              |
|                     | Tool adaption:                    | DIN 228 D - MK 2 |
|                     | Coolant:                          | IC               |
| <b>8 210 53 000</b> | <b>Tool holder F 50-MK 3</b>      |                  |
|                     | Weight [kg]:                      | 2.700            |
|                     | Shank size [mm]:                  | 50.00            |
|                     | Shank type:                       | VDI              |
|                     | Tool adaption:                    | DIN 228 D - MK 3 |
|                     | Coolant:                          | IC               |
| <b>8 210 53 001</b> | <b>Tool holder E2-50x 8</b>       |                  |
|                     | Shank size [mm]:                  | 50.00            |
|                     | Shank type:                       | VDI              |
|                     | Tool adaption:                    | Ø 8              |
|                     | Coolant:                          | IC/Ext           |
| <b>8 210 54 000</b> | <b>Tool holder E1-50x10</b>       |                  |
|                     | Shank size [mm]:                  | 50.00            |
|                     | Shank type:                       | VDI              |
|                     | Tool adaption:                    | Ø 10             |
|                     | Coolant:                          | IC               |
| <b>8 210 54 001</b> | <b>Tool holder E1-50x12</b>       |                  |
|                     | Shank size [mm]:                  | 50.00            |
|                     | Shank type:                       | VDI              |
|                     | Tool adaption:                    | Ø 12             |
|                     | Coolant:                          | IC               |

| Part-#              | Name                                    |                  |
|---------------------|---|------------------|
| <b>8 210 54 002</b> | <b>Tool holder E2-50x12</b>             |                  |
|                     | Shank size [mm]:                        | 50.00            |
|                     | Shank type:                             | VDI              |
|                     | Tool adaption:                          | Ø 12             |
|                     | Coolant:                                | IC/Ext           |
| <b>8 210 54 003</b> | <b>Tool holder F 50-MK 4</b>            |                  |
|                     | Weight [kg]:                            | 2.760            |
|                     | Shank size [mm]:                        | 50.00            |
|                     | Shank type:                             | VDI              |
|                     | Tool adaption:                          | DIN 228 D - MK 4 |
|                     | Coolant:                                | IC               |
| <b>8 210 54 004</b> | <b>Short drill chuck VDI 50x13</b>      |                  |
|                     | Shank size [mm]:                        | 50.00            |
|                     | Shank type:                             | VDI              |
|                     | Coolant:                                | EXT              |
| <b>8 210 54 005</b> | <b>Short drill chuck VDI 50x13 - IC</b> |                  |
|                     | Weight [kg]:                            | 2.920            |
|                     | Shank size [mm]:                        | 50.00            |
|                     | Shank type:                             | VDI              |
|                     | Coolant:                                | IC               |
| <b>8 210 54 006</b> | <b>Tool holder E2-50x10</b>             |                  |
|                     | Shank size [mm]:                        | 50.00            |
|                     | Shank type:                             | VDI              |
|                     | Tool adaption:                          | Ø 10             |
|                     | Coolant:                                | IC/Ext           |
| <b>8 210 55 000</b> | <b>Tool holder E1-50x16</b>             |                  |
|                     | Shank size [mm]:                        | 50.00            |
|                     | Shank type:                             | VDI              |
|                     | Tool adaption:                          | Ø 16             |
|                     | Coolant:                                | IC               |
| <b>8 210 55 001</b> | <b>Tool holder E2-50x16</b>             |                  |
|                     | Shank size [mm]:                        | 50.00            |
|                     | Shank type:                             | VDI              |
|                     | Tool adaption:                          | Ø 16             |
|                     | Coolant:                                | IC/Ext           |
| <b>8 210 55 002</b> | <b>Tool holder F 50-MK 5</b>            |                  |
|                     | Weight [kg]:                            | 8.320            |
|                     | Shank size [mm]:                        | 50.00            |
|                     | Shank type:                             | VDI              |
|                     | Tool adaption:                          | DIN 228 D - MK 5 |
|                     | Coolant:                                | IC               |
| <b>8 210 55 004</b> | <b>Short drill chuck VDI 50x16 - IC</b> |                  |
|                     | Weight [kg]:                            | 3.120            |
|                     | Shank size [mm]:                        | 50.00            |
|                     | Shank type:                             | VDI              |
|                     | Coolant:                                | IC               |

Victor

## Vturn 40 CV - VDI 50 DIN 5480

heimatec®

| Part-#              | Name                           |                 |
|---------------------|--------------------------------|-----------------|
| <b>8 210 56 000</b> | <b>Tool holder E1-50x20</b>    |                 |
|                     | Shank size [mm]:               | 50.00           |
|                     | Shank type:                    | VDI             |
|                     | Tool adaption:                 | Ø 20            |
|                     | Coolant:                       | IC              |
| <b>8 210 56 001</b> | <b>Tool holder E2-50x20</b>    |                 |
|                     | Shank size [mm]:               | 50.00           |
|                     | Shank type:                    | VDI             |
|                     | Tool adaption:                 | Ø 20            |
|                     | Coolant:                       | IC/Ext          |
| <b>8 210 57 000</b> | <b>Tool holder E2-50x25</b>    |                 |
|                     | Shank size [mm]:               | 50.00           |
|                     | Shank type:                    | VDI             |
|                     | Tool adaption:                 | Ø 25            |
|                     | Coolant:                       | IC/Ext          |
| <b>8 210 57 001</b> | <b>Tool holder E1-50x25</b>    |                 |
|                     | Shank size [mm]:               | 50.00           |
|                     | Shank type:                    | VDI             |
|                     | Tool adaption:                 | Ø 25            |
|                     | Coolant:                       | IC              |
| <b>8 210 57 002</b> | <b>Tool holder E3-50x C 25</b> |                 |
|                     | Weight [kg]:                   | 3.180           |
|                     | Shank size [mm]:               | 50.00           |
|                     | Shank type:                    | VDI             |
|                     | Tool adaption:                 | DIN 6388 - C 25 |
|                     | Coolant:                       | IC              |
| <b>8 210 57 003</b> | <b>Tool holder E4-50xER 40</b> |                 |
|                     | Shank size [mm]:               | 50.00           |
|                     | Shank type:                    | VDI             |
|                     | Tool adaption:                 | ER 40           |
|                     | Coolant:                       | IC              |
| <b>8 210 58 000</b> | <b>Tool holder E1-50x32</b>    |                 |
|                     | Shank size [mm]:               | 50.00           |
|                     | Shank type:                    | VDI             |
|                     | Tool adaption:                 | Ø 32            |
|                     | Coolant:                       | IC              |
| <b>8 210 58 001</b> | <b>Tool holder E2-50x32</b>    |                 |
|                     | Shank size [mm]:               | 50.00           |
|                     | Shank type:                    | VDI             |
|                     | Tool adaption:                 | Ø 32            |
|                     | Coolant:                       | IC/Ext          |
| <b>8 210 58 002</b> | <b>Tool holder E3-50x C 32</b> |                 |
|                     | Weight [kg]:                   | 3.620           |
|                     | Shank size [mm]:               | 50.00           |
|                     | Shank type:                    | VDI             |
|                     | Tool adaption:                 | DIN 6388 - C 32 |
|                     | Coolant:                       | IC              |

Victor

## Vturn 40 CV - VDI 50 DIN 5480

heimatec®

| Part-#              | Name                                  |                 |
|---------------------|---------------------------------------|-----------------|
| <b>8 210 59 001</b> | <b>Tool holder E2-50x50</b>           |                 |
|                     | Shank size [mm]:                      | 50.00           |
|                     | Shank type:                           | VDI             |
|                     | Tool adaption:                        | Ø 50            |
|                     | Coolant:                              | IC/Ext          |
| <b>8 210 59 002</b> | <b>Tool holder E1-50x40</b>           |                 |
|                     | Shank size [mm]:                      | 50.00           |
|                     | Shank type:                           | VDI             |
|                     | Tool adaption:                        | Ø 40            |
|                     | Coolant:                              | IC              |
| <b>8 210 59 003</b> | <b>Tool holder E1-50x50</b>           |                 |
|                     | Shank size [mm]:                      | 50.00           |
|                     | Shank type:                           | VDI             |
|                     | Tool adaption:                        | Ø 50            |
|                     | Coolant:                              | IC              |
| <b>8 210 59 004</b> | <b>Tool holder E2-50x40</b>           |                 |
|                     | Shank size [mm]:                      | 50.00           |
|                     | Shank type:                           | VDI             |
|                     | Tool adaption:                        | Ø 40            |
|                     | Coolant:                              | IC/Ext          |
| <b>8 210 59 005</b> | <b>Tool holder E1-50x44 - special</b> |                 |
|                     | Shank size [mm]:                      | 50.00           |
|                     | Shank type:                           | VDI             |
|                     | Tool adaption:                        | Ø 44            |
|                     | Coolant:                              | IC              |
|                     | Please note:                          | Special version |
| <b>8 210 59 006</b> | <b>Tool holder E1-50x63 - special</b> |                 |
|                     | Shank size [mm]:                      | 50.00           |
|                     | Shank type:                           | VDI             |
|                     | Tool adaption:                        | Ø 63            |
|                     | Coolant:                              | IC              |
|                     | Please note:                          | Special version |
| <b>8 214 54 000</b> | <b>Tool holder C1-50x32</b>           |                 |
|                     | Weight [kg]:                          | 5.660           |
|                     | Shank size [mm]:                      | 50.00           |
|                     | Shank type:                           | VDI             |
|                     | Tool adaption:                        | Sq. 32/25       |
|                     | Coolant:                              | EXT             |
| <b>8 214 54 001</b> | <b>Tool holder C3-50x32</b>           |                 |
|                     | Weight [kg]:                          | 6.080           |
|                     | Shank size [mm]:                      | 50.00           |
|                     | Shank type:                           | VDI             |
|                     | Tool adaption:                        | Sq. 32/25       |
|                     | Coolant:                              | EXT             |
| <b>8 234 54 000</b> | <b>Tool holder B1-50x32x55</b>        |                 |
|                     | Shank size [mm]:                      | 50.00           |
|                     | Shank type:                           | VDI             |
|                     | Tool adaption:                        | Sq. 32/25       |
|                     | Coolant:                              | EXT             |

Victor

## Vturn 40 CV - VDI 50 DIN 5480

heimatec®

| Part-#              | Name  |                  |
|---------------------|---|------------------|
| <b>8 234 54 001</b> | <b>Tool holder B3-50x32x55</b>                    |                  |
|                     | Weight [kg]:                                      | 4.420            |
|                     | Shank size [mm]:                                  | 50.00            |
|                     | Shank type:                                       | VDI              |
|                     | Tool adaption:                                    | Sq. 32/25        |
|                     | Coolant:  | EXT              |
| <b>8 234 54 002</b> | <b>Tool holder B5-50x32x55</b>                    |                  |
|                     | Weight [kg]:                                      | 5.220            |
|                     | Shank size [mm]:                                  | 50.00            |
|                     | Shank type:                                       | VDI              |
|                     | Tool adaption:                                    | Sq. 32/25        |
|                     | Coolant:  | EXT              |
| <b>8 234 54 003</b> | <b>Tool holder B7-50x32x55</b>                    |                  |
|                     | Weight [kg]:                                      | 5.640            |
|                     | Shank size [mm]:                                  | 50.00            |
|                     | Shank type:                                       | VDI              |
|                     | Tool adaption:                                    | Sq. 32/25        |
|                     | Coolant:  | EXT              |
| <b>8 320 53 004</b> | <b>Cut-off holder, height adjustable SH 32 IC</b> |                  |
|                     | Version:  | universal        |
|                     | Shank size [mm]:                                  | 50.00            |
|                     | Shank type:                                       | VDI              |
|                     | Tool adaption:                                    | Clampshaft SH 32 |
|                     | Coolant:  | IC/Ext           |
|                     | Pressure max [bar]:                               | 70               |



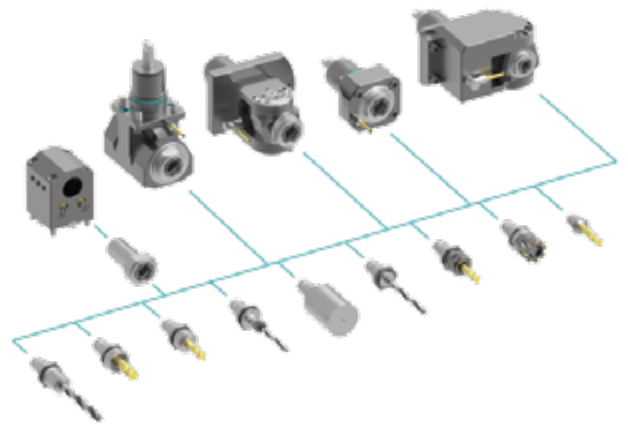
## heimatec.u-tec®

heimatec.com

Products / Tool change systems /  
u-tec® Tool-changing system



versions see catalog



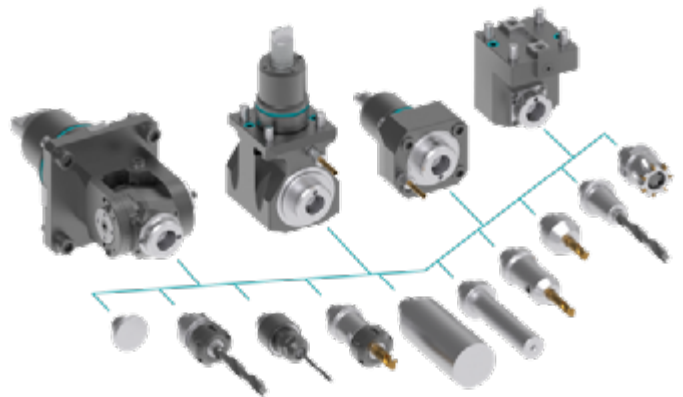
## heimatec.easy-quick

heimatec.com

Products / Tool change systems /  
easy-quick HT quick-changing system



versions see catalog



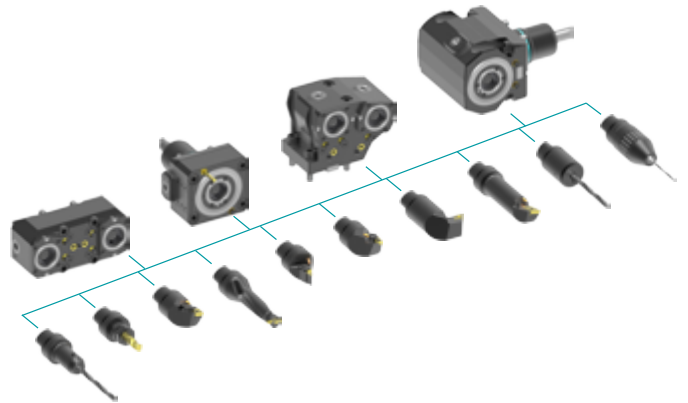
## heimatec.Capto™

heimatec.com

Products / Tool change systems /  
heimatec.Capto™ quick-changing system



versions see catalog



## heimatec.accessories

heimatec.com

Products / Accessories



versions see catalog





● heimatec overseas branches

○ global representations of heimatec

**heimatec**<sup>®</sup>

**heimatec GmbH**  
Präzisionswerkzeuge  
Carl-Benz-Str. 4  
77871 Renchen  
Germany

T +49 7843 9466 0  
[www.heimatec.com](http://www.heimatec.com)  
[info@heimatec.com](mailto:info@heimatec.com)

Please find the contact details of our worldwide trading partners on our website:  
<https://heimatec.com/business-partners>