

Emag

**VL 2 - BMT 55**

**SW 330**



# High-tech from heimatec - heimatec - Tools and systems for productive turning and milling

heimatec belongs to the international technology and quality leaders for precision tools and specializes in the development and production of high-precision static and live tools for all CNC lathes, CNC turn-/mill machines and CNC machining centers.

The range of products\* spans from static BMT and VDI tool holders, live tools up to highly complex customer-specific individual solutions. heimatec, headquartered in Renchen, has a own subsidiary in Asia and India and numerous representatives as well as trading partners all over the world.

## \*OUR PRODCUTS

Static tool holders

Live tool units

Precision tools

Tools for turning and machining centres

Tools for swiss type lathes

Tool changing and uick-change systems

Tool systems for gear production

Digital tool management

This catalogue, including all its parts, is protected by copyright. Any use outside the restricted limitations of the Copyright Act without the consent of heimatec is inadmissible and liable to prosecution. This applies in particular to duplication, translation, microfilming and storage and processing in electronic systems.

**heimatec GmbH** reserves the right to make technical changes at any time without giving prior notice. This applies in particular to adjustments at any time to meet new or changed international standards, or in case of further developments of our products or manufacturing processes.

The current version of our General Terms and Conditions can be found on our website.

## Part-#

## Name

**8 010 55 075****Axial drilling and milling head ER 25 AX UT IC**

Weight [kg]:	3.450
Tool drive:	Flat (~DIN 1809)
Shank size [mm]:	55.00
Shank type:	BMT
Tool adaption:	ER 25 A - u-tec
Gear ratio [i]:	1:1
Torque max [Nm]:	50
Rotation max [1/min]:	12000
Rotating direction:	same
Coolant:	IC/Ext
Pressure max [bar]:	100
Please note:	Dryrun possible

**8 019 56 037****Axial drilling and milling head C 3**

Weight [kg]:	6.180
Notation:	offset
Tool drive:	Flat (~DIN 1809)
Shank size [mm]:	55.00
Shank type:	BMT
Tool adaption:	heimatec Capto(TM) C 3
Gear ratio [i]:	1:2
Torque max [Nm]:	25
Rotation max [1/min]:	12000
Rotating direction:	opposite
Coolant:	no
Offset [mm]:	50



**8 030 55 169****Radial drilling and milling head ER 25 AX UT IC**

Notation:	180° reversible
Tool drive:	Flat (~DIN 1809)
Shank size [mm]:	55.00
Shank type:	BMT
Tool adaption:	ER 25 A - u-tec
Gear ratio [i]:	1:1
Torque max [Nm]:	50
Rotation max [1/min]:	5000
Rotating direction:	same
Coolant:	IC/Ext
Pressure max [bar]:	140
Please note:	Combi bearing
Center distance [mm]:	85

**8 037 54 017****Radial disk mill head arbor 16**

Weight [kg]:	7.290
Notation:	180° reversible
Version:	Special
Tool drive:	Flat (~DIN 1809)
Shank size [mm]:	55.00
Shank type:	BMT
Tool adaption:	Arbor 16
Gear ratio [i]:	1:1
Torque max [Nm]:	40
Rotation max [1/min]:	4000
Rotating direction:	opposite
Coolant:	EXT
Please note:	stronger bearing

Part-#	Name	
	Center distance [mm]:	89
<b>8 037 55 017</b>	<b>Radial disk mill head arbor 22</b>	
	Weight [kg]:	7.430
	Notation:	180° reversible
	Version:	Special
	Tool drive:	Flat (~DIN 1809)
	Shank size [mm]:	55.00
	Shank type:	BMT
	Tool adaption:	Arbor 22
	Gear ratio [i]:	1:1
	Torque max [Nm]:	40
	Rotation max [1/min]:	4000
	Rotating direction:	opposite
	Coolant:	EXT
	Please note:	stronger bearing
	Center distance [mm]:	89
<b>8 037 55 018</b>	<b>Woodruff keycutter ER 25 AX UT</b>	
	Weight [kg]:	8.440
	Notation:	180° reversible
	Version:	Special
	Tool drive:	Flat (~DIN 1809)
	Shank size [mm]:	55.00
	Shank type:	BMT
	Tool adaption:	ER 25 A - u-tec
	Gear ratio [i]:	1:1
	Torque max [Nm]:	40
	Rotation max [1/min]:	6000
	Rotating direction:	opposite
	Coolant:	EXT
	Please note:	stronger bearing
	Center distance [mm]:	104
<b>8 037 55 029</b>	<b>Radial disk mill head arbor 22</b>	
	Weight [kg]:	7.350
	Notation:	180° reversible
	Version:	Special
	Tool drive:	Flat (~DIN 1809)
	Shank size [mm]:	55.00
	Shank type:	BMT
	Tool adaption:	Arbor 22
	Gear ratio [i]:	1:1
	Torque max [Nm]:	40
	Rotation max [1/min]:	4000
	Rotating direction:	opposite
	Coolant:	EXT
	Please note:	stronger bearing
	Center distance [mm]:	89
<b>8 050 54 039</b>	<b>Multispindle drilling head ER 16 IC</b>	
	Weight [kg]:	6.000
	Version:	3-spindles
	Tool drive:	Flat (~DIN 1809)
	Shank size [mm]:	55.00
	Shank type:	BMT
	Tool adaption:	ER 16
	Gear ratio [i]:	1:1

Part-#	Name	
	Torque max [Nm]:	10
	Rotation max [1/min]:	6000
	Rotating direction:	opposite
	Coolant:	IC
	Pressure max [bar]:	140
	Please note:	stronger bearing
<b>8 220 03 002</b>	<b>Tool holder HSK 40-T</b>	
	Weight [kg]:	2.810
	Notation:	180° reversible
	Shank type:	BMT
	Machine adaption:	Centering key b 15
	Tool adaption:	DIN 69893 T - HSK 40
	Coolant:	IC
	Please note:	Insert has to be provided will
<b>8 220 03 003</b>	<b>Tool holder HSK 40-T</b>	
	Weight [kg]:	2.860
	Notation:	180° reversible
	Shank type:	BMT
	Machine adaption:	Centering key b 15
	Tool adaption:	DIN 69893 T - HSK 40
	Coolant:	IC/Ext
	Please note:	Insert has to be provided will
<b>8 220 08 002</b>	<b>Tool holder HT 6</b>	
	Weight [kg]:	2.270
	Notation:	180° reversible
	Shank type:	BMT
	Machine adaption:	Centering key b 15
	Tool adaption:	HT 6
	Coolant:	IC/Ext
<b>8 220 09 000</b>	<b>Boring bar holder Ø 40</b>	
	Weight [kg]:	2.930
	Shank type:	BMT
	Machine adaption:	Centering key b 15
	Tool adaption:	Ø 40
	Coolant:	IC/Ext
<b>8 224 04 002</b>	<b>Universal turning holder sq. 20</b>	
	Weight [kg]:	3.460
	Shank type:	BMT
	Machine adaption:	Centering key b 15
	Tool adaption:	Sq. 20
	Coolant:	EXT
<b>8 224 04 062</b>	<b>Universal turning holder sq. 20 IC</b>	
	Weight [kg]:	3.020
	Shank type:	BMT
	Machine adaption:	Centering key b 15
	Tool adaption:	Sq. 20
		Sq. 20
	Coolant:	IC/Ext
	Pressure max [bar]:	100
	Please note:	Key rail

Part-#	Name	
<b>8 224 05 003</b>	<b>Universal turning holder sq. 25</b>	
	Weight [kg]:	3.620
	Notation:	180° reversible
	Shank type:	BMT
	Machine adaption:	Centering key b 15
	Tool adaption:	Sq. 25
	Coolant:	EXT
<b>8 224 05 005</b>	<b>Universal turning holder sq. 1"</b>	
	Weight [kg]:	3.560
	Shank type:	BMT
	Machine adaption:	Centering key b 15
	Tool adaption:	Sq. 1" (25,4mm)
	Coolant:	EXT
<b>8 224 05 015</b>	<b>Universal turning holder sq. 25/20</b>	
	Weight [kg]:	3.780
	Notation:	180° reversible
	Shank type:	BMT
	Machine adaption:	Centering key b 15
	Tool adaption:	Sq. 25/20
	Coolant:	EXT
	Pressure max [bar]:	80
	Please note:	with spacer strip for sq. 20
<b>8 224 05 023</b>	<b>Universal turning holder sq. 25/20</b>	
	Weight [kg]:	3.150
	Notation:	180° reversible
	Shank type:	BMT
	Machine adaption:	Centering key b 15
	Tool adaption:	Sq. 25/20
	Coolant:	EXT
	Please note:	with spacer strip for sq. 20
<b>8 244 05 003</b>	<b>Combi facing holder sq. 25</b>	
	Weight [kg]:	5.340
	Notation:	180° reversible
	Employment for:	Main- and sub spindle
	Shank type:	BMT
	Machine adaption:	Centering key b 15
	Tool adaption:	Sq. 25
	Coolant:	EXT
	Pressure max [bar]:	80
<b>8 244 05 006</b>	<b>Combi facing holder sq. 1"</b>	
	Weight [kg]:	5.310
	Notation:	180° reversible
	Employment for:	Main- and sub spindle
	Shank type:	BMT
	Machine adaption:	Centering key b 15
	Tool adaption:	Sq. 1" (25,4mm)
	Coolant:	EXT

## heimatec.u-tec®

heimatec.com

Products / Tool change systems /  
u-tec® Tool-changing system



versions see catalog



## heimatec.easy-quick

heimatec.com

Products / Tool change systems /  
easy-quick HT quick-changing system



versions see catalog



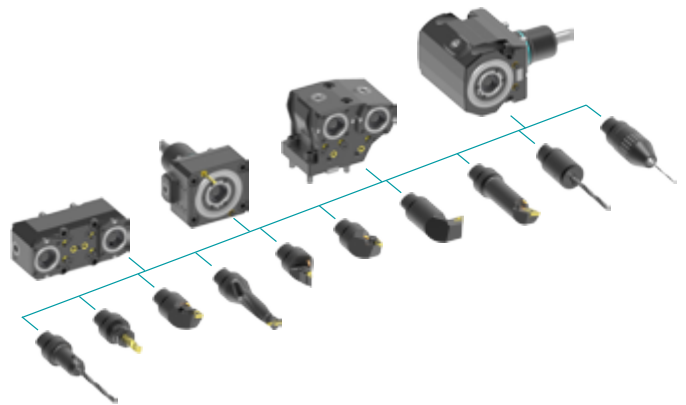
## heimatec.Capto™

heimatec.com

Products / Tool change systems /  
heimatec.Capto™ quick-changing system



versions see catalog



## heimatec.accessories

heimatec.com

Products / Accessories



versions see catalog





● heimatec overseas branches

○ global representations of heimatec

**heimatec**<sup>®</sup>

**heimatec GmbH**  
Präzisionswerkzeuge  
Carl-Benz-Str. 4  
77871 Renchen  
Germany

T +49 7843 9466 0  
[www.heimatec.com](http://www.heimatec.com)  
[info@heimatec.com](mailto:info@heimatec.com)

Please find the contact details of our worldwide trading partners on our website:  
<https://heimatec.com/business-partners>