

Emag

VL 4 - BMT 55

SW 360



High-tech from heimatec - heimatec - Tools and systems for productive turning and milling

heimatec belongs to the international technology and quality leaders for precision tools and specializes in the development and production of high-precision static and live tools for all CNC lathes, CNC turn-/mill machines and CNC machining centers.

The range of products* spans from static BMT and VDI tool holders, live tools up to highly complex customer-specific individual solutions. heimatec, headquartered in Renchen, has a own subsidiary in Asia and India and numerous representatives as well as trading partners all over the world.

*OUR PRODCUTS

Static tool holders

Live tool units

Precision tools

Tools for turning and machining centres

Tools for swiss type lathes

Tool changing and uick-change systems



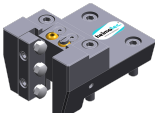
Tool systems for gear production

Digital tool management

This catalogue, including all its parts, is protected by copyright. Any use outside the restricted limitations of the Copyright Act without the consent of heimatec is inadmissible and liable to prosecution. This applies in particular to duplication, translation, microfilming and storage and processing in electronic systems.

heimatec GmbH reserves the right to make technical changes at any time without giving prior notice. This applies in particular to adjustments at any time to meet new or changed international standards, or in case of further developments of our products or manufacturing processes.

The current version of our General Terms and Conditions can be found on our website.

Part-#	Name	
8 030 55 207	Radial drilling and milling head ER 25 AX UT IC	
	Weight [kg]:	7.900
	Notation:	180° reversible
	Tool drive:	Flat (~DIN 1809)
	Shank size [mm]:	55.00
	Shank type:	BMT
	Tool adaption:	ER 25 A - u-tec
	Gear ratio [i]:	1:1
	Torque max [Nm]:	50
	Rotation max [1/min]:	5000
	Rotating direction:	same
	Coolant:	IC/Ext
	Pressure max [bar]:	140
	Please note:	Combi bearing
	Center distance [mm]:	85
8 220 09 000	Boring bar holder Ø 40	
	Weight [kg]:	2.930
	Shank type:	BMT
	Machine adaption:	Centering key b 15
	Tool adaption:	Ø 40
	Coolant:	IC/Ext
8 224 04 002	Universal turning holder sq. 20	
	Weight [kg]:	3.460
	Shank type:	BMT
	Machine adaption:	Centering key b 15
	Tool adaption:	Sq. 20
	Coolant:	EXT
8 224 04 062	Universal turning holder sq. 20 IC	
	Weight [kg]:	3.020
	Shank type:	BMT
	Machine adaption:	Centering key b 15
	Tool adaption:	Sq. 20
		Sq. 20
	Coolant:	IC/Ext
	Pressure max [bar]:	100
	Please note:	Key rail
8 224 05 003	Universal turning holder sq. 25	
	Weight [kg]:	3.620
	Notation:	180° reversible
	Shank type:	BMT
	Machine adaption:	Centering key b 15
	Tool adaption:	Sq. 25
	Coolant:	EXT
8 224 05 005	Universal turning holder sq. 1"	
	Weight [kg]:	3.560
	Shank type:	BMT
	Machine adaption:	Centering key b 15
	Tool adaption:	Sq. 1" (25,4mm)
	Coolant:	EXT

Emag

VL 4 - BMT 55 SW 360

heimatec®

Part-#

Name

8 224 05 015

Universal turning holder sq. 25/20



Weight [kg]:

3.780

Notation:

180° reversible

Shank type:

BMT

Machine adaption:

Centering key b 15

Tool adaption:

Sq. 25/20

Coolant:

EXT

Pressure max [bar]:

80

Please note:

with spacer strip for sq. 20

8 224 05 023

Universal turning holder sq. 25/20



Weight [kg]:

3.150

Notation:

180° reversible

Shank type:

BMT

Machine adaption:

Centering key b 15

Tool adaption:

Sq. 25/20

Coolant:

EXT

Please note:

with spacer strip for sq. 20



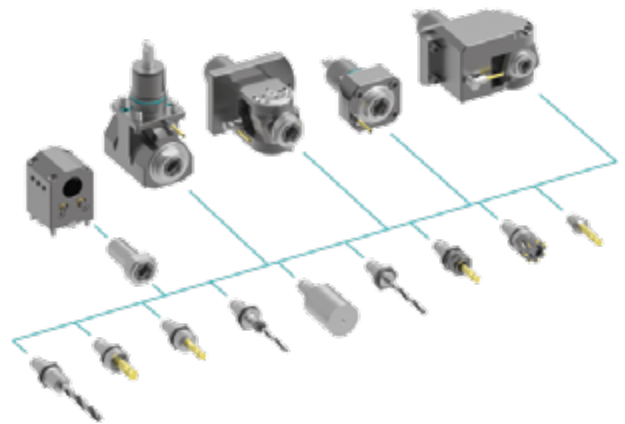
heimatec.u-tec®

heimatec.com

Products / Tool change systems /
u-tec® Tool-changing system



versions see catalog



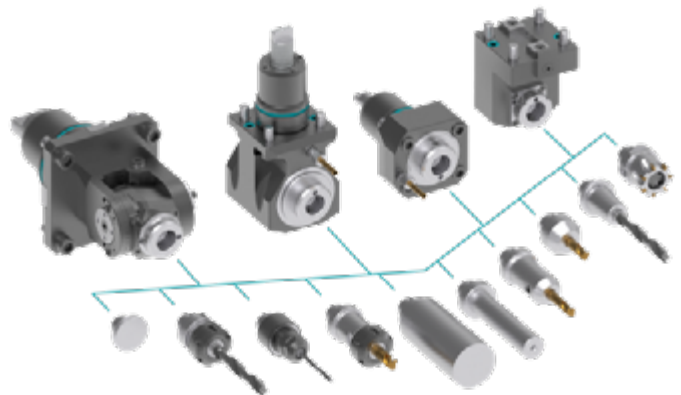
heimatec.easy-quick

heimatec.com

Products / Tool change systems /
easy-quick HT quick-changing system



versions see catalog



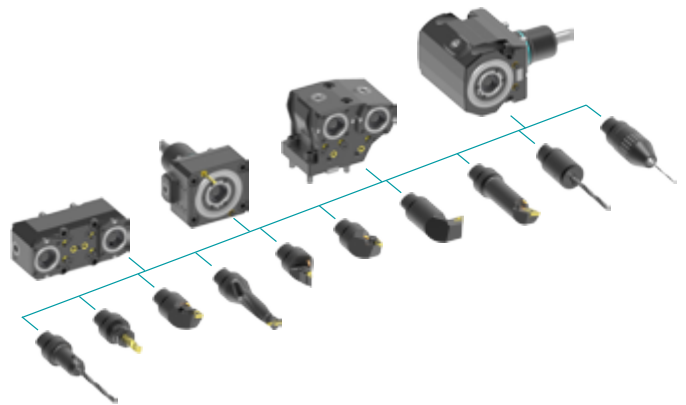
heimatec.Capto™

heimatec.com

Products / Tool change systems /
heimatec.Capto™ quick-changing system



versions see catalog



heimatec.accessories

heimatec.com

Products / Accessories



versions see catalog





● heimatec overseas branches

○ global representations of heimatec

heimatec[®]

heimatec GmbH
Präzisionswerkzeuge
Carl-Benz-Str. 4
77871 Renchen
Germany

T +49 7843 9466 0
www.heimatec.com
info@heimatec.com

Please find the contact details of our worldwide trading partners on our website:
<https://heimatec.com/business-partners>