

Victor  
**Vturn II 23 BCV**



# High-tech from heimatec - heimatec - Tools and systems for productive turning and milling

heimatec belongs to the international technology and quality leaders for precision tools and specializes in the development and production of high-precision static and live tools for all CNC lathes, CNC turn-/mill machines and CNC machining centers.

The range of products\* spans from static BMT and VDI tool holders, live tools up to highly complex customer-specific individual solutions. heimatec, headquartered in Renchen, has a own subsidiary in Asia and India and numerous representatives as well as trading partners all over the world.

## \*OUR PRODCUTS

Static tool holders

Live tool units

Precision tools

Tools for turning and machining centres

Tools for swiss type lathes

Tool changing and uick-change systems


Tool systems for gear production

Digital tool management

This catalogue, including all its parts, is protected by copyright. Any use outside the restricted limitations of the Copyright Act without the consent of heimatec is inadmissible and liable to prosecution. This applies in particular to duplication, translation, microfilming and storage and processing in electronic systems.

**heimatec GmbH** reserves the right to make technical changes at any time without giving prior notice. This applies in particular to adjustments at any time to meet new or changed international standards, or in case of further developments of our products or manufacturing processes.

The current version of our General Terms and Conditions can be found on our website.

Part-#	Name	
<b>8 010 45 053</b>	<b>Axial drilling and milling head ER 25 IC</b>	
	Weight [kg]:	3.420
	Tool drive:	DIN 5480
	Shank size [mm]:	40.00
	Shank type:	VDI
	Tool adaption:	ER 25
	Gear ratio [i]:	1:1
	Torque max [Nm]:	50
	Rotation max [1/min]:	6000
	Rotating direction:	same
	Coolant:	IC/Ext
	Pressure max [bar]:	25
	Please note:	round housing ø 84
<b>8 010 45 094</b>	<b>Axial drilling and milling head ER 25 AX UT</b>	
	Weight [kg]:	3.440
	Tool drive:	DIN 5480
	Shank size [mm]:	40.00
	Shank type:	VDI
	Tool adaption:	ER 25 A - u-tec
	Gear ratio [i]:	1:1
	Torque max [Nm]:	50
	Rotation max [1/min]:	6000
	Rotating direction:	same
	Coolant:	EXT
<b>8 010 45 156</b>	<b>Axial drilling and milling head ER 25 AX UT IC</b>	
	Weight [kg]:	3.410
	Tool drive:	DIN 5480
	Shank size [mm]:	40.00
	Shank type:	VDI
	Tool adaption:	ER 25 A - u-tec
	Gear ratio [i]:	1:1
	Torque max [Nm]:	50
	Rotation max [1/min]:	6000
	Rotating direction:	same
	Coolant:	IC/Ext
	Pressure max [bar]:	25
<b>8 010 46 152</b>	<b>Axial drilling and milling head ER 32 AX UT</b>	
	Weight [kg]:	3.270
	Tool drive:	DIN 5480
	Shank size [mm]:	40.00
	Shank type:	VDI
	Tool adaption:	ER 32 A - u-tec
	Gear ratio [i]:	1:1
	Torque max [Nm]:	50
	Rotation max [1/min]:	6000
	Rotating direction:	same
	Coolant:	EXT

Part-#	Name
<b>8 010 46 165</b>	<b>Axial drilling and milling head ER 32 AX UT IC</b>
	Weight [kg]: 3.440
	Tool drive: DIN 5480
	Shank size [mm]: 40.00
	Shank type: VDI
	Tool adaption: ER 32 A - u-tec
	Gear ratio [i]: 1:1
	Torque max [Nm]: 50
	Rotation max [1/min]: 6000
	Rotating direction: same
	Coolant: IC/Ext
	Pressure max [bar]: 25
<b>8 010 46 235</b>	<b>Axial drilling and milling head ER 32 AX UT IC</b>
	Tool drive: DIN 5480
	Shank size [mm]: 40.00
	Shank type: VDI
	Tool adaption: ER 32 A - u-tec
	Gear ratio [i]: 1:1
	Torque max [Nm]: 50
	Rotation max [1/min]: 10000
	Rotating direction: same
	Coolant: IC/Ext
	Pressure max [bar]: 100
	Please note: Dryrun possible
<b>8 010 46 304</b>	<b>Axial drilling and milling head C 4</b>
	Weight [kg]: 4.330
	Version: right
	Tool drive: DIN 5480
	Shank size [mm]: 40.00
	Shank type: VDI
	Tool adaption: heimatec Capto(TM) C 4
	Gear ratio [i]: 1:1
	Torque max [Nm]: 50
	Rotation max [1/min]: 6000
	Rotating direction: same
	Coolant: EXT
	Please note: stronger bearing
<b>8 010 47 034</b>	<b>Axial drilling and milling head HT 5</b>
	Weight [kg]: 3.300
	Tool drive: DIN 5480
	Shank size [mm]: 40.00
	Shank type: VDI
	Tool adaption: HT 5
	Gear ratio [i]: 1:1
	Torque max [Nm]: 50
	Rotation max [1/min]: 6000
	Rotating direction: same
	Coolant: EXT
	Please note: round housing Ø 84

Part-#	Name	
<b>8 010 47 086</b>	<b>Axial drilling and milling head HT 5</b>	
	Weight [kg]:	3.330
	Tool drive:	DIN 5480
	Shank size [mm]:	40.00
	Shank type:	VDI
	Tool adaption:	HT 5
	Gear ratio [i]:	1:1
	Torque max [Nm]:	50
	Rotation max [1/min]:	4000
	Rotating direction:	same
	Coolant:	EXT
	Please note:	Combi bearing
<b>8 010 48 001</b>	<b>Axial drilling and milling head HT 6 IC</b>	
	Weight [kg]:	4.220
	Tool drive:	DIN 5480
	Shank size [mm]:	40.00
	Shank type:	VDI
	Tool adaption:	HT 6
	Gear ratio [i]:	1:1
	Torque max [Nm]:	50
	Rotation max [1/min]:	6000
	Rotating direction:	same
	Coolant:	IC/Ext
	Pressure max [bar]:	25
	Please note:	round housing ø 84
<b>8 013 44 005</b>	<b>Axial drilling and milling head ER 16 AX UT</b>	
	Weight [kg]:	2.940
	Tool drive:	DIN 5480
	Shank size [mm]:	40.00
	Shank type:	VDI
	Tool adaption:	ER 16 A - u-tec
	Gear ratio [i]:	1:4
	Torque max [Nm]:	5
	Rotation max [1/min]:	24000
	Rotating direction:	same
	Coolant:	EXT
<b>8 030 45 085</b>	<b>Radial drilling and milling head ER 25</b>	
	Weight [kg]:	6.560
	Version:	right
	Tool drive:	DIN 5480
	Shank size [mm]:	40.00
	Shank type:	VDI
	Tool adaption:	ER 25
	Gear ratio [i]:	1:1
	Torque max [Nm]:	50
	Rotation max [1/min]:	6000
	Rotating direction:	opposite
	Coolant:	EXT
	Center distance [mm]:	100

Part-#	Name	
<b>8 030 45 090</b>	<b>Radial drilling and milling head ER 25</b>	
	Version:	left
	Tool drive:	DIN 5480
	Shank size [mm]:	40.00
	Shank type:	VDI
	Tool adaption:	ER 25
	Gear ratio [i]:	1:1
	Torque max [Nm]:	50
	Rotation max [1/min]:	6000
	Rotating direction:	opposite
	Coolant:	EXT
	Center distance [mm]:	100
<b>8 030 45 223</b>	<b>Radial drilling and milling head ER 25 AX UT</b>	
	Weight [kg]:	6.520
	Version:	right
	Tool drive:	DIN 5480
	Shank size [mm]:	40.00
	Shank type:	VDI
	Tool adaption:	ER 25 A - u-tec
	Gear ratio [i]:	1:1
	Torque max [Nm]:	50
	Rotation max [1/min]:	6000
	Rotating direction:	opposite
	Coolant:	EXT
	Center distance [mm]:	100
<b>8 030 46 119</b>	<b>Radial drilling and milling head ER 32</b>	
	Weight [kg]:	6.630
	Version:	left
	Tool drive:	DIN 5480
	Shank size [mm]:	40.00
	Shank type:	VDI
	Tool adaption:	ER 32
	Gear ratio [i]:	1:1
	Torque max [Nm]:	50
	Rotation max [1/min]:	6000
	Rotating direction:	opposite
	Coolant:	EXT
	Center distance [mm]:	100
<b>8 030 46 170</b>	<b>Radial drilling and milling head ER 32 IC</b>	
	Version:	left
	Tool drive:	DIN 5480
	Shank size [mm]:	40.00
	Shank type:	VDI
	Tool adaption:	ER 32
	Gear ratio [i]:	1:1
	Torque max [Nm]:	50
	Rotation max [1/min]:	6000
	Rotating direction:	opposite
	Coolant:	IC/Ext
	Pressure max [bar]:	140
	Please note:	with fixation pin
	Center distance [mm]:	100


Part-#	Name
<b>8 030 46 249</b>	<b>Radial drilling and milling head ER 32</b>
	Weight [kg]: 6.820
	Version: left
	Tool drive: DIN 5480
	Shank size [mm]: 40.00
	Shank type: VDI
	Tool adaption: ER 32
	Gear ratio [i]: 1:1
	Torque max [Nm]: 50
	Rotation max [1/min]: 6000
	Rotating direction: same
	Coolant: EXT
	Center distance [mm]: 100
<b>8 030 46 251</b>	<b>Radial drilling and milling head ER 32 IC</b>
	Weight [kg]: 7.540
	Version: left
	Tool drive: DIN 5480
	Shank size [mm]: 40.00
	Shank type: VDI
	Tool adaption: ER 32
	Gear ratio [i]: 1:1
	Torque max [Nm]: 50
	Rotation max [1/min]: 6000
	Rotating direction: same
	Coolant: IC/Ext
	Pressure max [bar]: 25
	Center distance [mm]: 100
<b>8 030 46 304</b>	<b>Radial drilling and milling head ER 32 AX UT IC</b>
	Version: left
	Tool drive: DIN 5480
	Shank size [mm]: 40.00
	Shank type: VDI
	Tool adaption: ER 32 A - u-tec
	Gear ratio [i]: 1:1
	Torque max [Nm]: 50
	Rotation max [1/min]: 6000
	Rotating direction: opposite
	Coolant: IC/Ext
	Pressure max [bar]: 140
	Center distance [mm]: 100
<b>8 030 46 306</b>	<b>Radial drilling and milling head ER 32 AX UT</b>
	Weight [kg]: 6.390
	Version: left
	Tool drive: DIN 5480
	Shank size [mm]: 40.00
	Shank type: VDI
	Tool adaption: ER 32 A - u-tec
	Gear ratio [i]: 1:1
	Torque max [Nm]: 50
	Rotation max [1/min]: 6000
	Rotating direction: opposite
	Coolant: EXT
	Center distance [mm]: 100

Part-#	Name	
<b>8 030 46 307</b>	<b>Radial drilling and milling head ER 32 AX UT</b>	
	Weight [kg]:	6.310
	Version:	right
	Tool drive:	DIN 5480
	Shank size [mm]:	40.00
	Shank type:	VDI
	Tool adaption:	ER 32 A - u-tec
	Gear ratio [i]:	1:1
	Torque max [Nm]:	50
	Rotation max [1/min]:	6000
	Rotating direction:	opposite
	Coolant:	EXT
	Center distance [mm]:	100
<b>8 030 47 067</b>	<b>Radial drilling and milling head HT 5</b>	
	Weight [kg]:	5.560
	Version:	left
	Tool drive:	DIN 5480
	Shank size [mm]:	40.00
	Shank type:	VDI
	Tool adaption:	HT 5
	Gear ratio [i]:	1:1
	Torque max [Nm]:	50
	Rotation max [1/min]:	6000
	Rotating direction:	opposite
	Coolant:	EXT
	Center distance [mm]:	100
<b>8 030 47 078</b>	<b>Radial drilling and milling head Weldon 25</b>	
	Weight [kg]:	7.640
	Version:	left
	Tool drive:	DIN 5480
	Shank size [mm]:	40.00
	Shank type:	VDI
	Tool adaption:	Weldon (DIN 1835 b) 25
	Gear ratio [i]:	1:1
	Torque max [Nm]:	50
	Rotation max [1/min]:	6000
	Rotating direction:	opposite
	Coolant:	EXT
	Please note:	stronger bearing
	Center distance [mm]:	100
<b>8 030 47 142</b>	<b>Radial drilling and milling head HT 5 IC</b>	
	Weight [kg]:	8.290
	Version:	right
	Tool drive:	DIN 5480
	Shank size [mm]:	40.00
	Shank type:	VDI
	Tool adaption:	HT 5
	Gear ratio [i]:	1:2
	Torque max [Nm]:	16
	Rotation max [1/min]:	12000
	Rotating direction:	opposite
	Coolant:	IC/Ext
	Pressure max [bar]:	140
	Please note:	stronger bearing
	Center distance [mm]:	100

Part-#	Name	
<b>8 030 48 006</b>	<b>Radial drilling and milling head HT 6 IC</b>	
	Weight [kg]:	7.900
	Version:	left
	Tool drive:	DIN 5480
	Shank size [mm]:	40.00
	Shank type:	VDI
	Tool adaption:	HT 6
	Gear ratio [i]:	1:1
	Torque max [Nm]:	50
	Rotation max [1/min]:	6000
	Rotating direction:	opposite
	Coolant:	IC/Ext
	Pressure max [bar]:	140
	Please note:	stronger bearing
	Center distance [mm]:	100
<b>8 031 44 025</b>	<b>Radial milling head universal arbor 16</b>	
	Version:	left
	Tool drive:	DIN 5480
	Shank size [mm]:	40.00
	Shank type:	VDI
	Tool adaption:	Universal arbor 16
	Gear ratio [i]:	1:1
	Torque max [Nm]:	50
	Rotation max [1/min]:	6000
	Rotating direction:	opposite
	Coolant:	EXT
	Center distance [mm]:	100
<b>8 031 45 019</b>	<b>Radial polygon head arbor 22</b>	
	Weight [kg]:	7.330
	Version:	left
	Tool drive:	DIN 5480
	Shank size [mm]:	40.00
	Shank type:	VDI
	Tool adaption:	Polygon arbor 22
	Gear ratio [i]:	1:1
	Torque max [Nm]:	50
	Rotation max [1/min]:	6000
	Rotating direction:	opposite
	Coolant:	EXT
	Please note:	stronger bearing
	Center distance [mm]:	100
<b>8 031 46 009</b>	<b>Radial milling head universal arbor 27</b>	
	Version:	left
	Tool drive:	DIN 5480
	Shank size [mm]:	40.00
	Shank type:	VDI
	Tool adaption:	Universal arbor 27
	Gear ratio [i]:	2:1
	Torque max [Nm]:	63
	Rotation max [1/min]:	3000
	Rotating direction:	opposite
	Coolant:	EXT
	Please note:	Combi bearing
	Center distance [mm]:	100

Part-#	Name	
<b>8 033 46 115</b>	<b>Radial drilling and milling head ER 32 AX UT</b>	
	Weight [kg]:	7.630
	Notation:	offset
	Version:	right
	Tool drive:	DIN 5480
	Shank size [mm]:	40.00
	Shank type:	VDI
	Tool adaption:	ER 32 A - u-tec
	Gear ratio [i]:	1:1
	Torque max [Nm]:	50
	Rotation max [1/min]:	6000
	Rotating direction:	same
	Coolant:	EXT
	Center distance [mm]:	100
<b>8 033 47 013</b>	<b>Radial drilling and milling head HT 5 IC</b>	
	Weight [kg]:	8.480
	Notation:	offset
	Version:	right
	Tool drive:	DIN 5480
	Shank size [mm]:	40.00
	Shank type:	VDI
	Tool adaption:	HT 5
	Gear ratio [i]:	1:1
	Torque max [Nm]:	50
	Rotation max [1/min]:	6000
	Rotating direction:	same
	Coolant:	IC/Ext
	Pressure max [bar]:	140
	Center distance [mm]:	100
<b>8 033 48 003</b>	<b>Radial drilling and milling head HT 6 IC</b>	
	Weight [kg]:	8.940
	Notation:	offset
	Version:	right
	Tool drive:	DIN 5480
	Shank size [mm]:	40.00
	Shank type:	VDI
	Tool adaption:	HT 6
	Gear ratio [i]:	1:1
	Torque max [Nm]:	50
	Rotation max [1/min]:	6000
	Rotating direction:	same
	Coolant:	IC/Ext
	Pressure max [bar]:	140
	Please note:	stronger bearing
	Center distance [mm]:	100
<b>8 036 46 010</b>	<b>Radial drilling and milling head ER 32 AX UT</b>	
	Weight [kg]:	6.490
	Version:	doubletoothed
	Tool drive:	DIN 5480
	Shank size [mm]:	40.00
	Shank type:	VDI
	Tool adaption:	ER 32 A - u-tec
	Gear ratio [i]:	1:1
	Torque max [Nm]:	50
	Rotation max [1/min]:	6000

Part-#	Name	
	Rotating direction:	opposite
	Coolant:	EXT
	Center distance [mm]:	100
<b>8 036 46 012</b>	<b>Radial drilling and milling head ER 32 AX UT IC</b>	
	Weight [kg]:	6.920
	Version:	doubletoothed
	Tool drive:	DIN 5480
	Shank size [mm]:	40.00
	Shank type:	VDI
	Tool adaption:	ER 32 A - u-tec
	Gear ratio [i]:	1:1
	Torque max [Nm]:	50
	Rotation max [1/min]:	6000
	Rotating direction:	opposite
	Coolant:	IC/Ext
	Pressure max [bar]:	140
	Center distance [mm]:	100
<b>8 039 45 048</b>	<b>Radial drilling and milling head ER 25 AX UT</b>	
	Weight [kg]:	7.940
	Version:	double spindle
	Tool drive:	DIN 5480
	Shank size [mm]:	40.00
	Shank type:	VDI
	Tool adaption:	ER 25 A - u-tec
	Gear ratio [i]:	1:1
	Torque max [Nm]:	50
	Rotation max [1/min]:	6000
	Rotating direction:	same/opposite
	Coolant:	EXT
	Please note:	stronger bearing
	Center distance [mm]:	100
<b>8 040 44 066</b>	<b>Universal head ± 90° adjustable ER 16 AX UT</b>	
	Version:	right
	Tool drive:	DIN 5480
	Shank size [mm]:	40.00
	Shank type:	VDI
	Tool adaption:	ER 16 A - u-tec
	Gear ratio [i]:	1:1
	Torque max [Nm]:	25
	Rotation max [1/min]:	6000
	Rotating direction:	opposite
	Coolant:	EXT
	Center distance [mm]:	87
<b>8 040 44 067</b>	<b>Universal head ± 90° adjustable ER 16 AX UT</b>	
	Weight [kg]:	4.890
	Version:	left
	Tool drive:	DIN 5480
	Shank size [mm]:	40.00
	Shank type:	VDI
	Tool adaption:	ER 16 A - u-tec
	Gear ratio [i]:	1:1
	Torque max [Nm]:	25
	Rotation max [1/min]:	6000
	Rotating direction:	opposite

Part-#	Name	
	Coolant:	EXT
	Center distance [mm]:	87
<b>8 040 44 070</b>	<b>Universal head ± 90° adjustable ER 16 AX UT IC</b>	
	Version:	right
	Tool drive:	DIN 5480
	Shank size [mm]:	40.00
	Shank type:	VDI
	Tool adaption:	ER 16 A - u-tec
	Gear ratio [i]:	1:1
	Torque max [Nm]:	25
	Rotation max [1/min]:	6000
	Rotating direction:	opposite
	Coolant:	IC/Ext
	Pressure max [bar]:	140
	Center distance [mm]:	87
<b>8 040 44 074</b>	<b>Universal head ± 90° adjustable ER 16 AX UT</b>	
	Version:	left
	Tool drive:	DIN 5480
	Shank size [mm]:	40.00
	Shank type:	VDI
	Tool adaption:	ER 16 A - u-tec
	Gear ratio [i]:	1:2
	Torque max [Nm]:	12
	Rotation max [1/min]:	12000
	Rotating direction:	opposite
	Coolant:	EXT
	Center distance [mm]:	87
<b>8 040 44 078</b>	<b>Universal head ± 90° adjustable ER 16 AX UT IC</b>	
	Weight [kg]:	4.980
	Version:	left
	Tool drive:	DIN 5480
	Shank size [mm]:	40.00
	Shank type:	VDI
	Tool adaption:	ER 16 A - u-tec
	Gear ratio [i]:	1:2
	Torque max [Nm]:	12
	Rotation max [1/min]:	12000
	Rotating direction:	opposite
	Coolant:	IC/Ext
	Pressure max [bar]:	140
	Center distance [mm]:	87
<b>8 040 45 073</b>	<b>Universal head ± 90° adjustable ER 25 AX UT IC</b>	
	Version:	left
	Tool drive:	DIN 5480
	Shank size [mm]:	40.00
	Shank type:	VDI
	Tool adaption:	ER 25 A - u-tec
	Gear ratio [i]:	1:1
	Torque max [Nm]:	25
	Rotation max [1/min]:	6000
	Rotating direction:	opposite
	Coolant:	IC/Ext
	Pressure max [bar]:	140

Victor

## Vturn II 23 BCV

heimatec®

Part-#	Name	
	Please note:	stronger bearing
	Center distance [mm]:	87
<b>8 040 45 093</b>	<b>Universal head ± 90° adjustable ER 25 AX UT</b>	
	Weight [kg]:	5.160
	Version:	right
	Tool drive:	DIN 5480
	Shank size [mm]:	40.00
	Shank type:	VDI
	Tool adaption:	ER 25 A - u-tec
	Gear ratio [i]:	1:1
	Torque max [Nm]:	25
	Rotation max [1/min]:	6000
	Rotating direction:	opposite
	Coolant:	EXT
	Please note:	stronger bearing
	Center distance [mm]:	87
<b>8 040 45 095</b>	<b>Universal head ± 90° adjustable ER 25 AX UT IC</b>	
	Weight [kg]:	5.160
	Version:	right
	Tool drive:	DIN 5480
	Shank size [mm]:	40.00
	Shank type:	VDI
	Tool adaption:	ER 25 A - u-tec
	Gear ratio [i]:	1:1
	Torque max [Nm]:	25
	Rotation max [1/min]:	6000
	Rotating direction:	opposite
	Coolant:	IC/Ext
	Pressure max [bar]:	140
	Please note:	stronger bearing
	Center distance [mm]:	87
<b>8 040 45 103</b>	<b>Universal head ± 90° adjustable ER 25 AX UT IC</b>	
	Weight [kg]:	5.170
	Version:	left; at 65° position can be pinned
	Tool drive:	DIN 5480
	Shank size [mm]:	40.00
	Shank type:	VDI
	Tool adaption:	ER 25 A - u-tec
	Gear ratio [i]:	1:1
	Torque max [Nm]:	25
	Rotation max [1/min]:	6000
	Rotating direction:	opposite
	Coolant:	IC/Ext
	Pressure max [bar]:	140
	Please note:	stronger bearing
	Center distance [mm]:	87
<b>8 040 45 139</b>	<b>Universal head ± 90° adjustable ER 25</b>	
	Weight [kg]:	5.230
	Version:	left
	Tool drive:	DIN 5480
	Shank size [mm]:	40.00
	Shank type:	VDI
	Tool adaption:	ER 25
	Gear ratio [i]:	1:1

# Victor

## Vturn II 23 BCV

Part-#	Name	
	Torque max [Nm]:	25
	Rotation max [1/min]:	6000
	Rotating direction:	opposite
	Coolant:	EXT
	Please note:	stronger bearing
	Center distance [mm]:	87
<b>8 200 40 000</b>	<b>Plug Z2-40 K</b>	
	Weight [kg]:	0.140
	Shank size [mm]:	40.00
	Shank type:	VDI
<b>8 200 40 001</b>	<b>Plug Z2-40 S</b>	
	Weight [kg]:	1.360
	Shank size [mm]:	40.00
	Shank type:	VDI
<b>8 200 41 002</b>	<b>Tool holder A2-40x120</b>	
	Weight [kg]:	5.800
	Shank size [mm]:	40.00
	Shank type:	VDI
<b>8 200 41 003</b>	<b>Tool holder A2-40x200</b>	
	Weight [kg]:	9.120
	Shank size [mm]:	40.00
	Shank type:	VDI
<b>8 200 41 004</b>	<b>Tool holder A2-40x320</b>	
	Weight [kg]:	14.360
	Shank size [mm]:	40.00
	Shank type:	VDI
<b>8 200 44 000</b>	<b>Tool holder A1-40x100</b>	
	Weight [kg]:	11.940
	Shank size [mm]:	40.00
	Shank type:	VDI
<b>8 208 49 001</b>	<b>Test mandrel VDI 40x40x200</b>	
	Weight [kg]:	3.020
	Shank size [mm]:	40.00
	Shank type:	VDI
<b>8 208 49 003</b>	<b>Test mandrel VDI 40x40x300</b>	
	Weight [kg]:	4.020
	Shank size [mm]:	40.00
	Shank type:	VDI
<b>8 209 44 004</b>	<b>Adapter for VDI 40</b>	
	Weight [kg]:	6.720
	Notation:	offset
	Version:	right
	Shank size [mm]:	40.00
	Shank type:	VDI
	Tool adaption:	DIN 69880 - 40
	Coolant:	EXT
	Center distance [mm]:	100

Part-#	Name	
<b>8 209 44 005</b>	<b>Adapter for VDI 40</b>	
	Weight [kg]:	6.740
	Notation:	offset
	Version:	left
	Shank size [mm]:	40.00
	Shank type:	VDI
	Tool adaption:	DIN 69880 - 40
	Coolant:	EXT
	Center distance [mm]:	100
<b>8 214 43 000</b>	<b>Tool holder C1-40x25</b>	
	Employment for:	VDI 40
	Version:	right
	Shank size [mm]:	40.00
	Shank type:	VDI
	Tool adaption:	Sq. 25/20
	Coolant:	EXT
<b>8 214 43 001</b>	<b>Tool holder C3-40x25</b>	
	Employment for:	VDI 40
	Version:	right
	Shank size [mm]:	40.00
	Shank type:	VDI
	Tool adaption:	Sq. 25/20
	Coolant:	EXT
<b>8 214 43 008</b>	<b>Tool holder C1-40x25 special</b>	
	Shank size [mm]:	40.00
	Shank type:	VDI
	Tool adaption:	Sq. 25/20
	Coolant:	EXT
<b>8 215 43 000</b>	<b>Tool holder C2-40x25</b>	
	Employment for:	VDI 40
	Version:	left
	Shank size [mm]:	40.00
	Shank type:	VDI
	Tool adaption:	Sq. 25/20
	Coolant:	EXT
<b>8 215 43 001</b>	<b>Tool holder C4-40x25</b>	
	Employment for:	VDI 40
	Version:	left
	Shank type:	VDI
	Tool adaption:	Sq. 25/20
	Coolant:	EXT
<b>8 215 43 003</b>	<b>Tool holder C2-40x25 special</b>	
	Weight [kg]:	4.480
	Version:	left
	Shank size [mm]:	40.00
	Shank type:	VDI
	Tool adaption:	Sq. 25/20
	Coolant:	EXT

Part-#	Name	
<b>8 230 46 013</b>	<b>Collet chuck holder ER 32</b>	
	Version:	right
	Shank size [mm]:	40.00
	Shank type:	VDI
	Tool adaption:	ER 32
	Coolant:	IC/Ext
	Please note:	demountable in left version
	Center distance [mm]:	100
<b>8 231 47 006</b>	<b>Boring bar holder Ø 25</b>	
	Version:	left
	Shank size [mm]:	40.00
	Shank type:	VDI
	Tool adaption:	Ø 25
	Coolant:	IC/Ext
	Please note:	demountable in right version
	Center distance [mm]:	120
<b>8 231 48 000</b>	<b>Tool holder HT 6</b>	
	Weight [kg]:	6.080
	Notation:	offset
	Version:	left
	Shank size [mm]:	40.00
	Shank type:	VDI
	Tool adaption:	HT 6
	Coolant:	IC/Ext
	Center distance [mm]:	100
<b>8 231 48 003</b>	<b>Boring bar holder Ø 32</b>	
	Weight [kg]:	6.770
	Version:	left
	Shank size [mm]:	40.00
	Shank type:	VDI
	Tool adaption:	Ø 32
	Coolant:	IC/Ext
	Please note:	demountable in right version
	Center distance [mm]:	100
<b>8 231 48 007</b>	<b>Boring bar holder Ø 32</b>	
	Version:	left
	Shank size [mm]:	40.00
	Shank type:	VDI
	Tool adaption:	Ø 32
	Coolant:	IC/Ext
	Please note:	demountable in right version
	Center distance [mm]:	120
<b>8 231 49 007</b>	<b>Boring bar holder Ø 40</b>	
	Weight [kg]:	6.510
	Version:	left
	Shank size [mm]:	40.00
	Shank type:	VDI
	Tool adaption:	Ø 40
	Coolant:	IC/Ext
	Please note:	demountable in right version
	Center distance [mm]:	100

Part-#	Name	
<b>8 234 43 000</b>	<b>Tool holder B1-40x25x44</b>	
	Employment for:	VDI 40
	Version:	right
	Shank size [mm]:	40.00
	Shank type:	VDI
	Tool adaption:	Sq. 25/20
	Coolant:	EXT
<b>8 234 43 001</b>	<b>Tool holder B3-40x25x44</b>	
	Employment for:	VDI 40
	Shank size [mm]:	40.00
	Shank type:	VDI
	Tool adaption:	Sq. 25/20
	Coolant:	EXT
<b>8 234 43 002</b>	<b>Tool holder B5-40x25x44</b>	
	Weight [kg]:	3.120
	Shank size [mm]:	40.00
	Shank type:	VDI
	Tool adaption:	Sq. 25/20
	Coolant:	EXT
<b>8 234 43 003</b>	<b>Tool holder B7-40x25x44</b>	
	Weight [kg]:	3.320
	Shank size [mm]:	40.00
	Shank type:	VDI
	Tool adaption:	Sq. 25/20
	Coolant:	EXT
<b>8 234 43 005</b>	<b>Tool holder B5-40x25x44 special</b>	
	Shank size [mm]:	40.00
	Shank type:	VDI
	Tool adaption:	Sq. 25/20
	Coolant:	EXT
<b>8 234 45 003</b>	<b>Combi facing holder sq. 25/20</b>	
	Weight [kg]:	6.160
	Shank size [mm]:	40.00
	Shank type:	VDI
	Tool adaption:	Sq. 25/20
	Coolant:	EXT
<b>8 235 43 000</b>	<b>Tool holder B2-40x25x44</b>	
	Employment for:	VDI 40
	Version:	left
	Shank size [mm]:	40.00
	Shank type:	VDI
	Tool adaption:	Sq. 25/20
	Coolant:	EXT
<b>8 235 43 001</b>	<b>Tool holder B4-40x25x44</b>	
	Employment for:	VDI 40
	Version:	left
	Shank size [mm]:	40.00
	Shank type:	VDI
	Tool adaption:	Sq. 25/20
	Coolant:	EXT

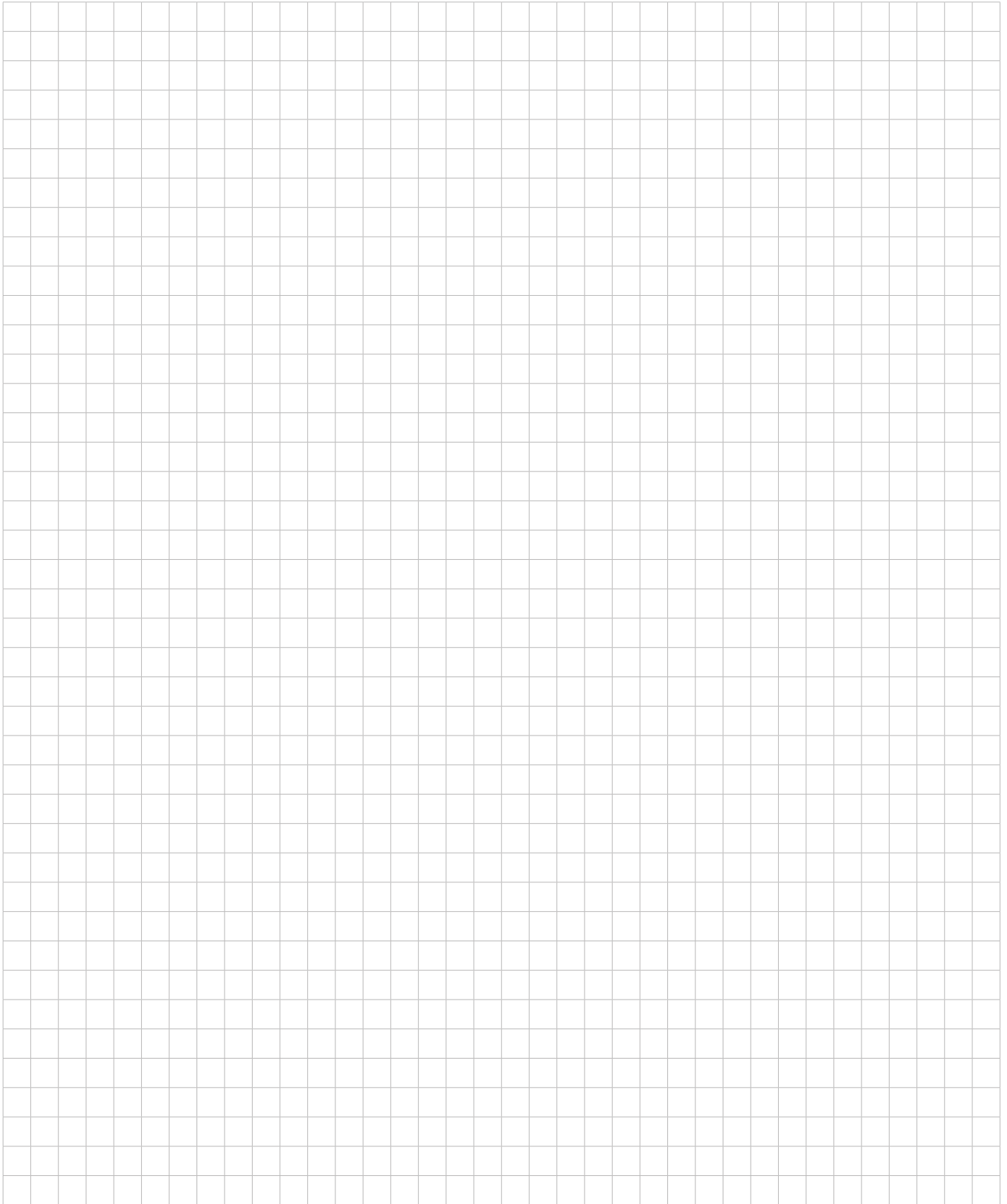
Part-#	Name	
<b>8 235 43 002</b>	<b>Tool holder B6-40x25x44</b>	
	Employment for:	VDI 40
	Version:	left; long
	Shank size [mm]:	40.00
	Shank type:	VDI
	Tool adaption:	Sq. 25/20
	Coolant:	EXT
<b>8 235 43 003</b>	<b>Tool holder B8-40x25x44</b>	
	Weight [kg]:	3.360
	Version:	Left
	Shank size [mm]:	40.00
	Shank type:	VDI
	Tool adaption:	Sq. 25/20
	Coolant:	EXT
<b>8 235 43 009</b>	<b>Tool holder B6-40x25x44 special</b>	
	Weight [kg]:	2.960
	Employment for:	VDI 40
	Version:	Special; left
	Shank size [mm]:	40.00
	Shank type:	VDI
	Tool adaption:	Sq. 25/20
	Coolant:	EXT
	Please note:	Insert for system "Jetstream" from Seco
<b>8 235 43 010</b>	<b>Tool holder B2-40x25x44 special</b>	
	Weight [kg]:	2.260
	Employment for:	VDI 40
	Version:	Special; left
	Shank size [mm]:	40.00
	Shank type:	VDI
	Tool adaption:	Sq. 25/20
	Coolant:	EXT
	Please note:	Insert for system "Jetstream" from Seco
<b>8 239 45 005</b>	<b>Double collet chuck holder ER 25</b>	
	Weight [kg]:	6.140
	Employment for:	Main- and sub spindle
	Shank size [mm]:	40.00
	Shank type:	VDI
	Tool adaption:	ER 25
	Coolant:	IC/Ext
	Center distance [mm]:	100
<b>8 239 46 006</b>	<b>Double collet chuck holder ER 32</b>	
	Weight [kg]:	6.390
	Employment for:	Main- and sub spindle
	Shank size [mm]:	40.00
	Shank type:	VDI
	Tool adaption:	ER 32
	Coolant:	IC/Ext
	Center distance [mm]:	100

Part-#	Name	
<b>8 239 47 003</b>	<b>Double boring bar holder Ø 25</b>	
	Weight [kg]:	8.390
	Shank size [mm]:	40.00
	Shank type:	VDI
	Tool adaption:	Ø 25
	Coolant:	IC/Ext
	Center distance [mm]:	100
<b>8 239 48 000</b>	<b>Double boring bar holder Ø 32</b>	
	Shank size [mm]:	40.00
	Shank type:	VDI
	Tool adaption:	Ø 32
	Coolant:	IC/Ext
	Center distance [mm]:	100
<b>8 239 48 009</b>	<b>Double boring bar holder Ø 32</b>	
	Employment for:	Heavy duty cutting
	Shank size [mm]:	40.00
	Shank type:	VDI
	Tool adaption:	Ø 32
	Coolant:	IC/Ext
	Center distance [mm]:	100
<b>8 239 49 007</b>	<b>Double boring bar holder Ø 40</b>	
	Weight [kg]:	7.340
	Employment for:	Heavy duty cutting
	Shank size [mm]:	40.00
	Shank type:	VDI
	Tool adaption:	Ø 40
	Coolant:	IC/Ext
	Center distance [mm]:	100
<b>8 251 45 003</b>	<b>Combi double turning holder sq. 25/20</b>	
	Weight [kg]:	5.420
	Shank size [mm]:	40.00
	Shank type:	VDI
	Tool adaption:	Sq. 25/20
	Coolant:	EXT
<b>8 262 49 003</b>	<b>Stock stop VDI 40 - Ø 60 OD turret</b>	
	Weight [kg]:	6.300
	Notation:	rotating
	Version:	left
	Shank size [mm]:	40.00
	Shank type:	VDI
	Coolant:	no
	Please note:	Length adjustable
	Center distance [mm]:	100
<b>8 262 49 004</b>	<b>Stock stop VDI 40 - Ø 60 OD turret</b>	
	Notation:	offset
	Version:	right
	Shank size [mm]:	40.00
	Shank type:	VDI
	Rotation max [1/min]:	8000
	Coolant:	no
	Center distance [mm]:	100



Victor  
Vturn II 23 BCV

Part-#	Name	
<b>8 274 43 000</b>	<b>Square multiple holder D1-40x25</b>	
	Weight [kg]:	3.660
	Shank size [mm]:	40.00
	Shank type:	VDI
	Tool adaption:	Sq. 25/20
	Coolant:	EXT
<b>8 274 43 001</b>	<b>Tool holder D2-40x25</b>	
	Weight [kg]:	4.300
	Shank size [mm]:	40.00
	Shank type:	VDI
	Tool adaption:	Sq. 25/20
	Coolant:	EXT
<b>8 274 43 003</b>	<b>Square multiple holder D1-40x25</b>	
	Weight [kg]:	5.160
	Version:	Special
	Shank size [mm]:	40.00
	Shank type:	VDI
	Tool adaption:	Sq. 25/20
	Coolant:	EXT
<b>8 320 43 010</b>	<b>Cut-off holder, height adjustable SH 32 IC</b>	
	Weight [kg]:	2.440
	Version:	universal
	Shank size [mm]:	40.00
	Shank type:	VDI
	Tool adaption:	Clampshaft SH 32
	Coolant:	IC/Ext
	Pressure max [bar]:	70
<b>8 320 43 014</b>	<b>Cut-off holder, height adjustable SH 32 IC</b>	
	Shank size [mm]:	40.00
	Shank type:	VDI
	Tool adaption:	Clampshaft SH 32
	Coolant:	IC/Ext
	Pressure max [bar]:	70
	Please note:	Clampshaft internal





## heimatec.u-tec®

heimatec.com

Products / Tool change systems /  
u-tec® Tool-changing system



versions see catalog



## heimatec.easy-quick

heimatec.com

Products / Tool change systems /  
easy-quick HT quick-changing system



versions see catalog



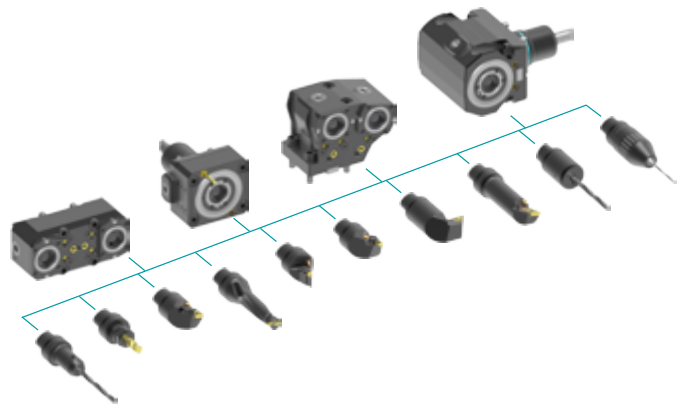
## heimatec.Capto™

heimatec.com

Products / Tool change systems /  
heimatec.Capto™ quick-changing system



versions see catalog



## heimatec.accessories

heimatec.com

Products / Accessories



versions see catalog





● heimatec overseas branches

○ global representations of heimatec

**heimatec**<sup>®</sup>

**heimatec GmbH**  
Präzisionswerkzeuge  
Carl-Benz-Str. 4  
77871 Renchen  
Germany

T +49 7843 9466 0  
[www.heimatec.com](http://www.heimatec.com)  
[info@heimatec.com](mailto:info@heimatec.com)

Please find the contact details of our worldwide trading partners on our website:  
<https://heimatec.com/business-partners>