

ER hydraulic chuck

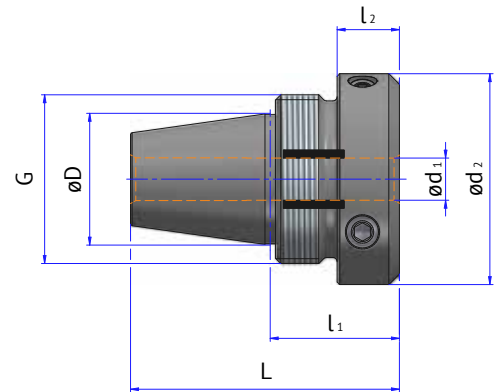


for heimatec standard tools



ER hydraulic chuck

Part No.	clamping system D	thread G	d ₁ [mm]	d ₂ [mm]	L [mm]	l ₁ [mm]	l ₂ [mm]
ER 16-HYDRO.030	ER 16	M 24x1.0	3	36	43.7	22.5	11.5
ER 16-HYDRO.040			4	36	43.7	22.5	11.5
ER 16-HYDRO.050			5	36	43.7	22.5	11.5
ER 16-HYDRO.060			6	36	45.7	24.5	13.5
ER 16-HYDRO.080			8	36	45.7	24.5	13.5
ER 20-HYDRO.030	ER 20	M 28x1.5	3	38	48.3	24	13
ER 20-HYDRO.040			4	38	48.3	24	13
ER 20-HYDRO.050			5	38	48.3	24	13
ER 20-HYDRO.060			6	38	48.3	24	13
ER 20-HYDRO.080			8	38	48.3	24	13
ER 20-HYDRO.100			10	40	48.3	24	13
ER 25-HYDRO.050	ER 25	M 32x1.5	5	40	51	24.5	12
ER 25-HYDRO.060			6	40	51	24.5	12
ER 25-HYDRO.070			7	40	51	24.5	12
ER 25-HYDRO.080			8	40	51	24.5	12
ER 25-HYDRO.100			10	40	51	24.5	12
ER 25-HYDRO.120			12	42	51	24.5	12
ER 25-HYDRO.140			14	44	51	24.5	12
ER 25-HYDRO.160			16	46	49	26.5	14
ER 32-HYDRO.060	ER 32	M 40x1.5	6	50	58.3	26.5	12
ER 32-HYDRO.080			8	50	58.3	26.5	12
ER 32-HYDRO.100			10	50	58.3	26.5	12
ER 32-HYDRO.120			12	50	58.3	26.5	12
ER 32-HYDRO.140			14	50	58.3	26.5	12
ER 32-HYDRO.160			16	50	58.3	26.5	12
ER 32-HYDRO.180			18	50	58.3	26.5	12
ER 32-HYDRO.200			20	50	58.3	26.5	12
ER 40-HYDRO.160	ER 40	M 50x1.5	16	63	72	36.5	20.5
ER 40-HYDRO.200			20	63	72	36.5	20.5
ER 40-HYDRO.250			25	63	72	36.5	20.5
ER 16-HYDRO.0317	ER 16	M 24x1.0	1/8"	36	43.7	22.5	11.5
ER 16-HYDRO.0635			1/4"	36	45.7	24.5	13.5

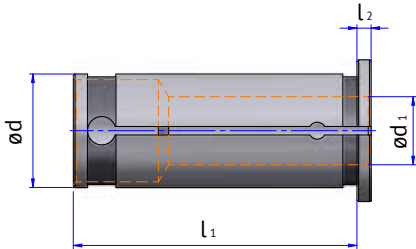


Advantages:

- high flexibility
- constant spindle runout
- center of inner and outer taper nearly zero
- anti vibration damping by hydraulic system

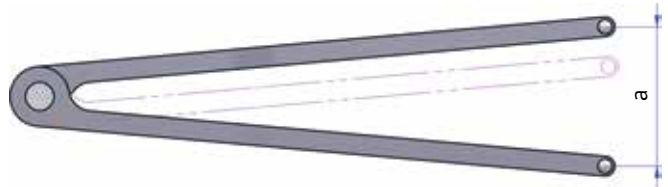
Accessories

reducing sleeve

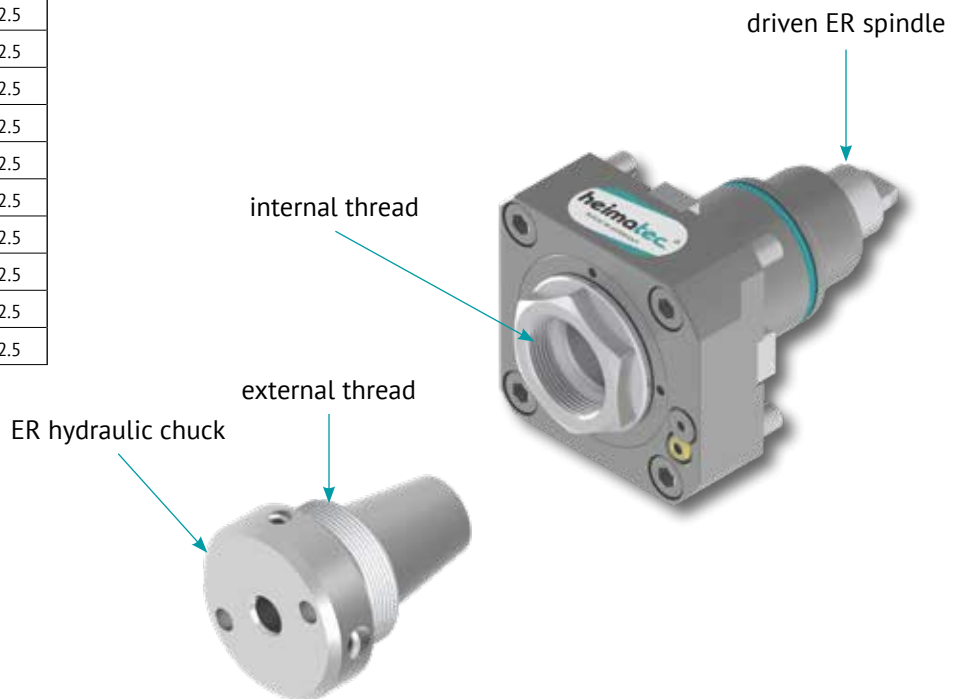
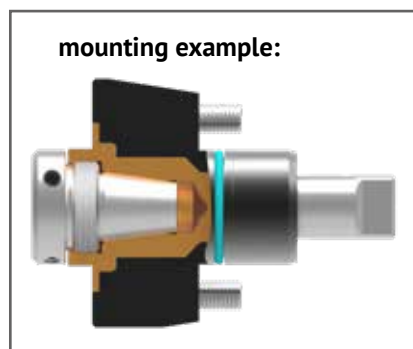


Part No.	d [mm]	d ₁ [mm]	l ₁ [mm]	l ₂ [mm]
8 669 01 000	12	3	44.0	2.0
8 669 02 000	12	4	44.0	2.0
8 669 02 002	12	5	44.0	2.0
8 669 02 001	12	6	44.0	2.0
8 669 03 000	12	8	44.0	2.0
8 669 11 000	20	3	50.0	2.5
8 669 12 001	20	4	50.0	2.5
8 669 12 002	20	5	50.0	2.5
8 669 12 000	20	6	50.0	2.5
8 669 13 000	20	8	50.0	2.5
8 669 14 002	20	10	50.0	2.5
8 669 14 000	20	12	50.0	2.5
8 669 14 001	20	14	50.0	2.5
8 669 15 000	20	16	50.0	2.5
8 669 22 001	25	5	57.0	2.5
8 669 22 000	25	6	57.0	2.5
8 669 23 000	25	8	57.0	2.5
8 669 24 004	25	10	57.0	2.5
8 669 24 002	25	12	57.0	2.5
8 669 24 003	25	14	57.0	2.5
8 669 25 000	25	16	57.0	2.5
8 669 25 001	25	18	57.0	2.5
8 669 26 000	25	20	57.0	2.5

adjustable face pin spanner wrench



Part No.	span width a [mm]	bolt ø [mm]	total length [mm]
1 655 011 003	14 - 100	5.0	215.0





● heimatec® overseas branches

○ global representations of heimatec®

heimatec®

heimatec® GmbH
Präzisionswerkzeuge
Carl-Benz-Str. 4
DE-77871 Renchen

T+49 7843 9466 0
F+49 7843 9466 66
www.heimatec.com
info@heimatec.com

Please find the contact details of our worldwide trading partners on our website:
<https://heimatec.com/business-partners>